

Reference photo

Version	Revision date
1	---
2	
3	
4	

Project Name:

Installation Area:

Customer confirmation:

Model No.:	LP_DL-0 1
Fixture Type:	Pendant Light
Dimension:	L2000 mm
Finishing:	
Weight:	
Quantity:	
Light Source:	24V LED Strip
Standard:	CE

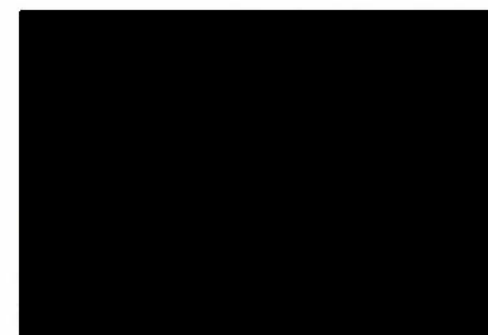
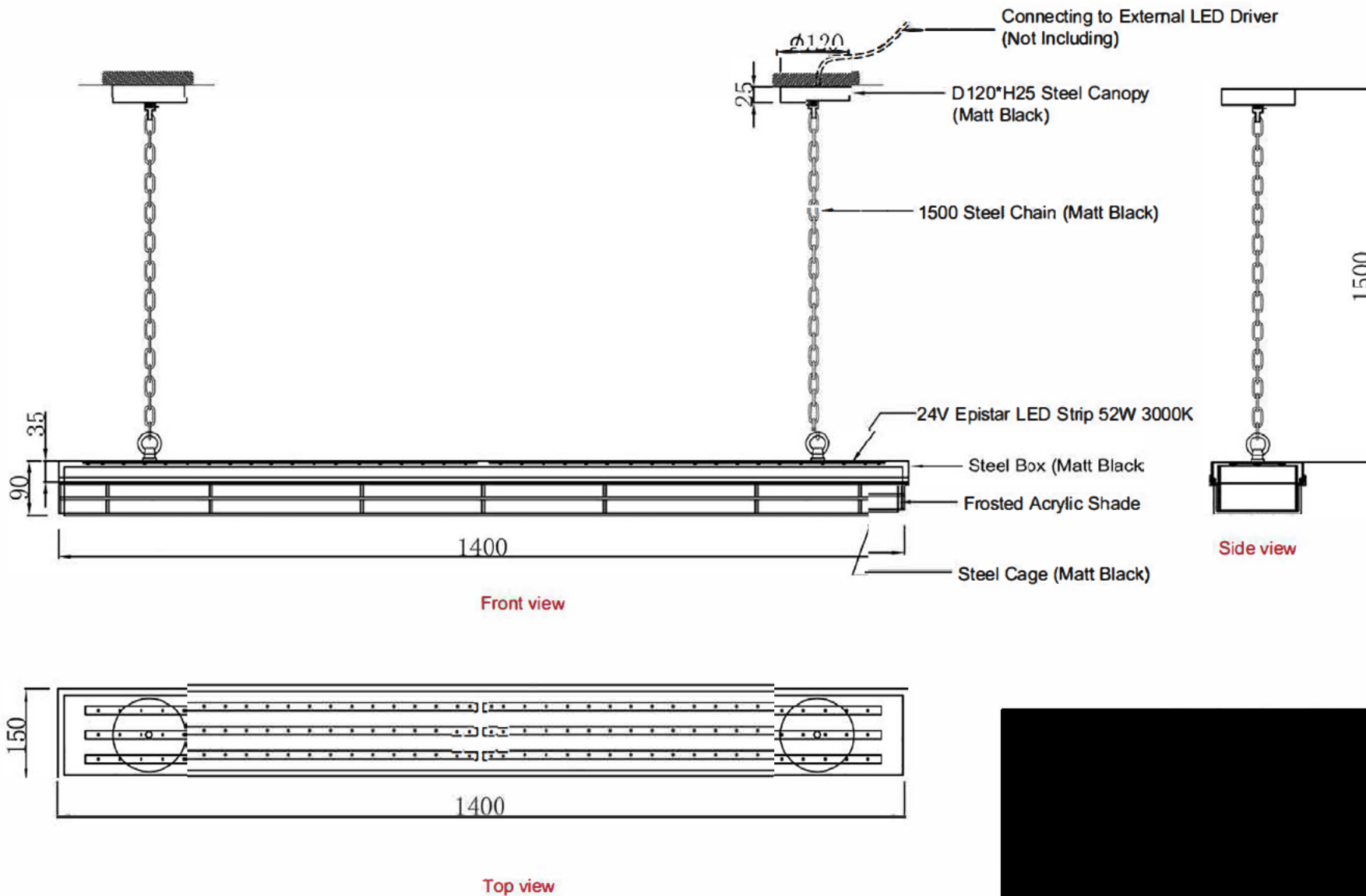
Drawn by:

Checked by:

Proportion:

Date:

Length Unit:	MM
--------------	----



Reference photo

Version	Revision date
1	---
2	
3	
4	

Project Name:

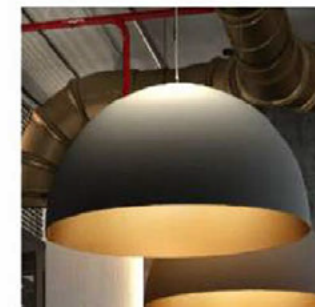
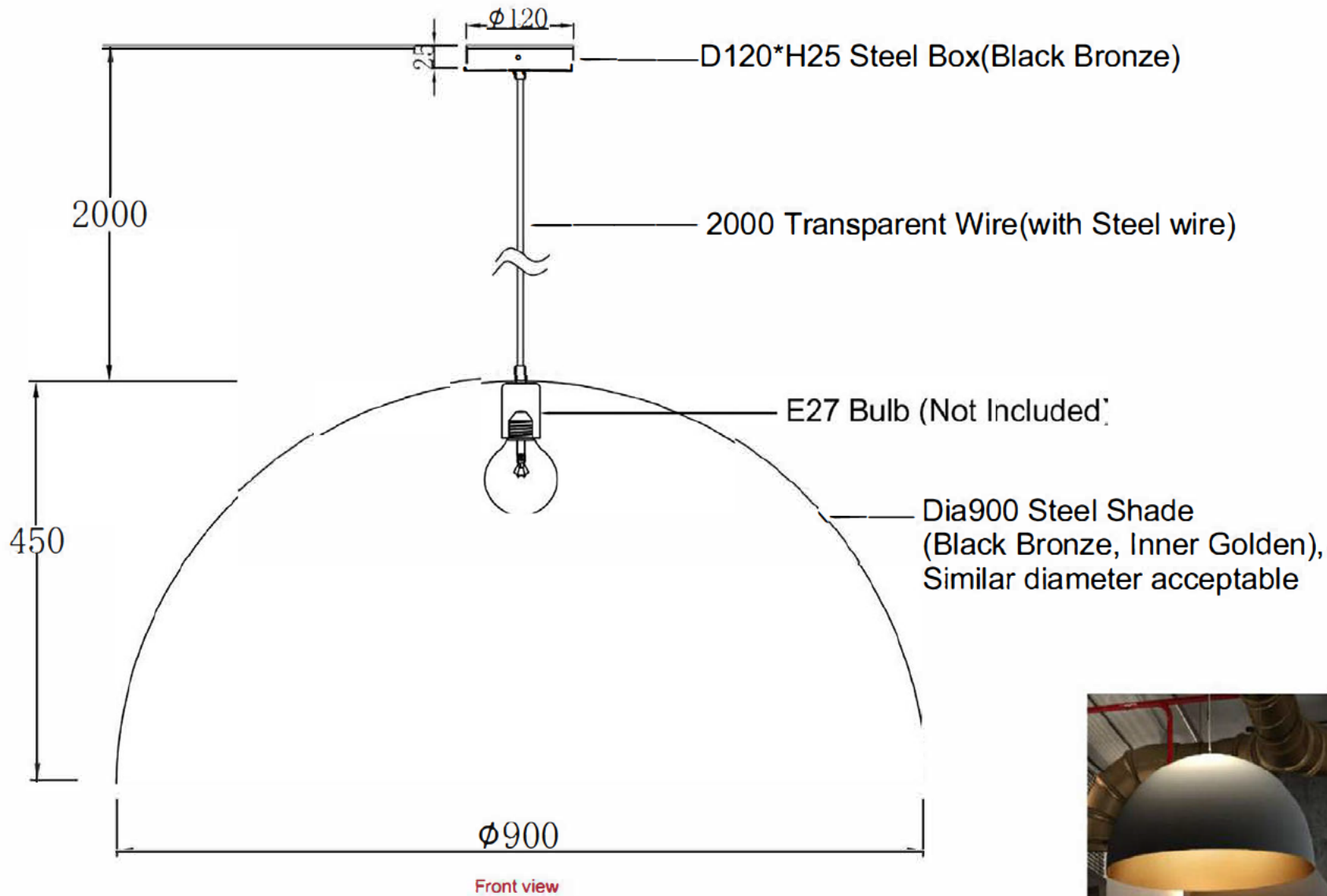
Installation Area:
Office indoor

Customer confirmation:

Model No.:	LP-DL-1.1
Fixture Type:	Pendant Light
Dimension:	L1400 mm
Finishing:	
Weight:	
Quantity:	
Light Source:	24V LED Strip
Standard:	CE
Drawn by:	
Checked by:	
Proportion:	
Date:	Apr 23, 2018

Length Unit:	MM
--------------	----





Reference photo

Version	Revision date
1	---
2	
3	
4	

Project Name:

Installation Area:

Customer confirmation:

Model No.:	LP -DL-03
Fixture Type:	Pendant Light
Dimension:	D900mm
Finishing:	
Weight:	
Quantity:	
Source:	E27 Bulb
Standard:	CE

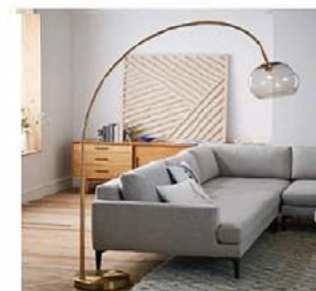
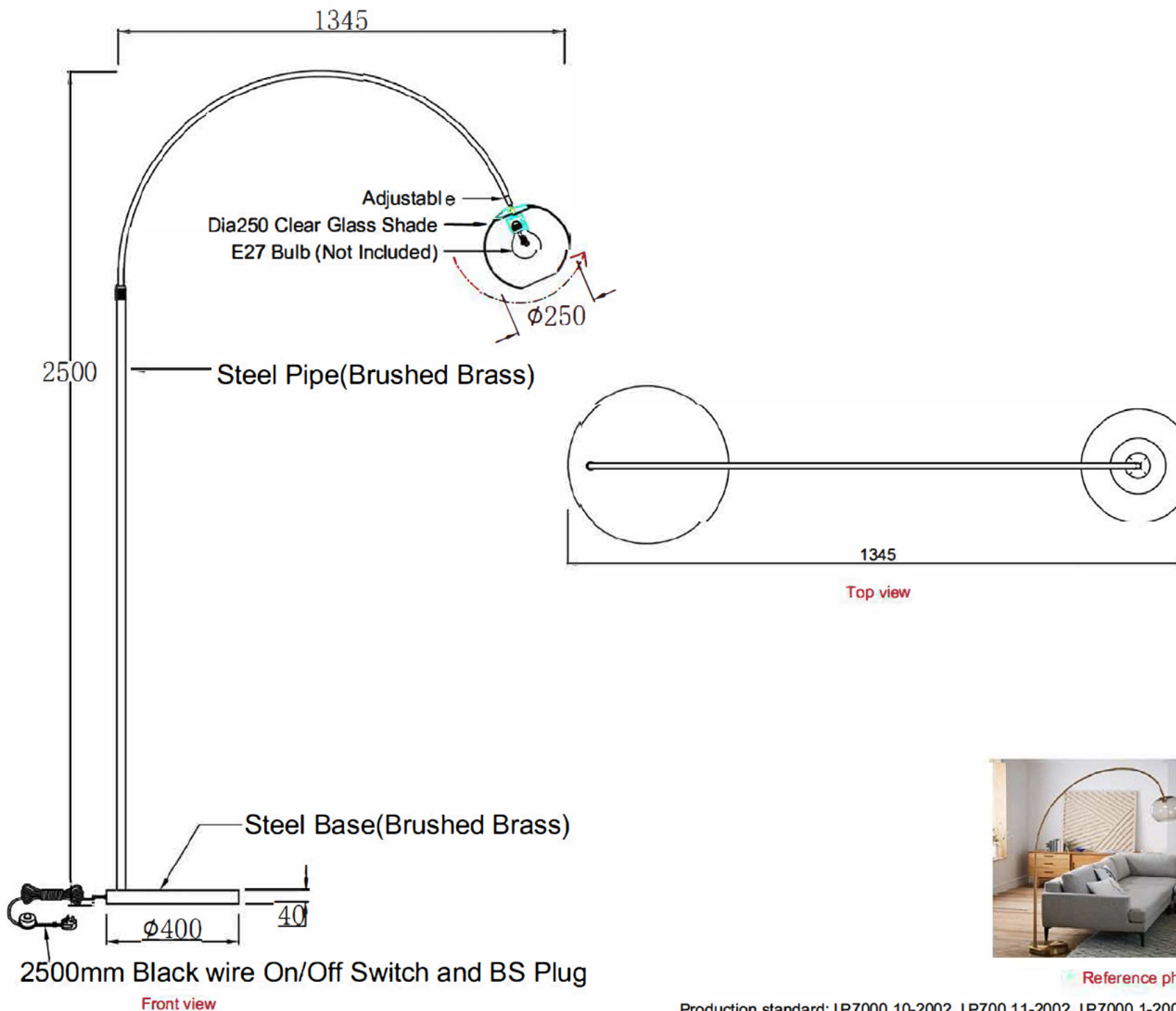
Drawn by:

Checked by:

Proportion:

Date:

Length Unit:
MM



Reference photo

Version	Revision date
1	---
2	
3	
4	

Project Name:

Installation Area:

Customer confirmation:

Model No.:	LP-FL-02
Fixture Type:	Floor Light
Dimension:	Dia250*H2300mm
Finishing:	
Weight:	
Quantity:	
Light Source:	E27 Bulb
Standard:	CE

Drawn by:

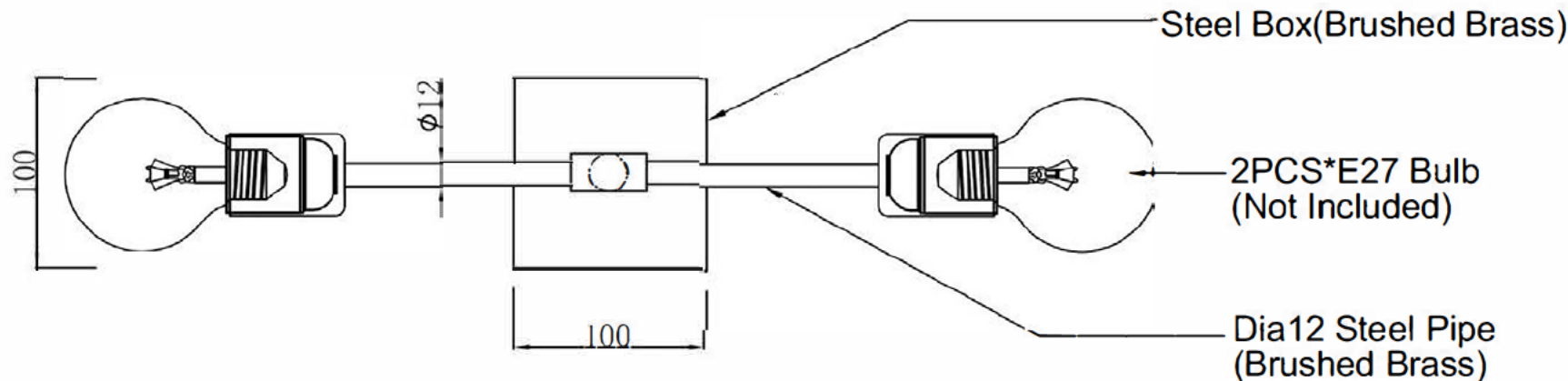
Checked by:

Proportion:

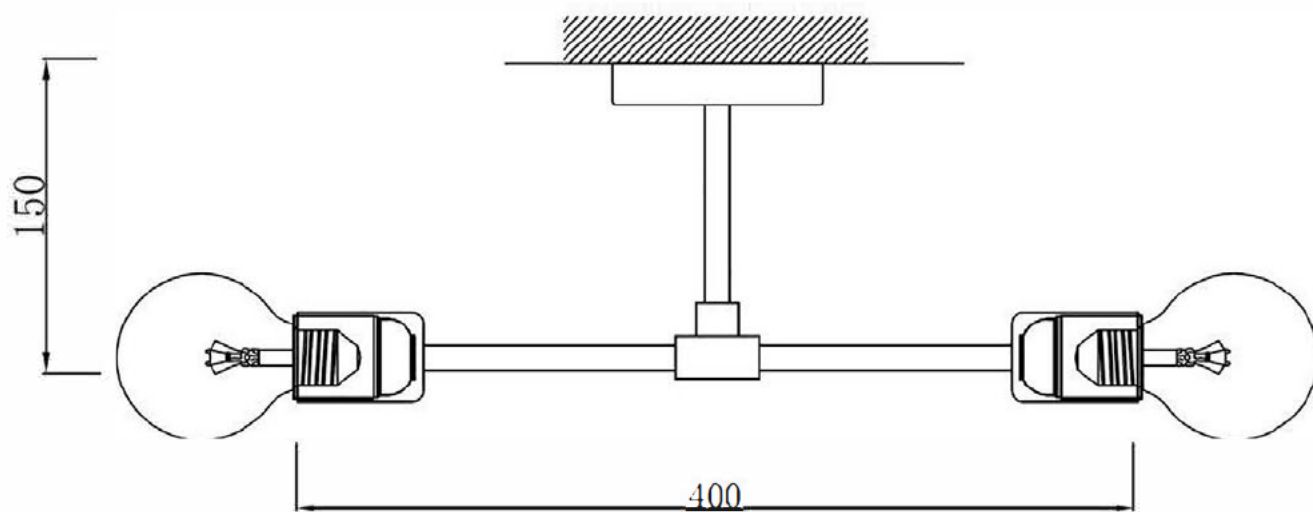
Date:

Length Unit:
MM





Front view



Top view



Reference photo

Version	Revision date
1	---
2	
3	
4	

Project Name:

Installation Area:

Customer confirmation:

Model No.:	
Fixture Type:	Wall Light
Dimension:	L400mm
Finishing:	
Weight:	
Quantity:	
Light Source:	E27 Bulb
Standard:	CE

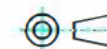
Drawn by:

Checked by:

Proportion:

Date: Apr 23, 2018

Length Unit:
MM



Version	Revision date
1	---
2	
3	
4	

Project Name:

Installation Area:

Customer confirmation:

Model No.:	LP-WL-04
Fixture Type:	Wall Light
Dimension:	Dia150 mm
Finishing:	
Weight:	
Quantity:	
Light Source:	E27 Bulb
Standard:	CE


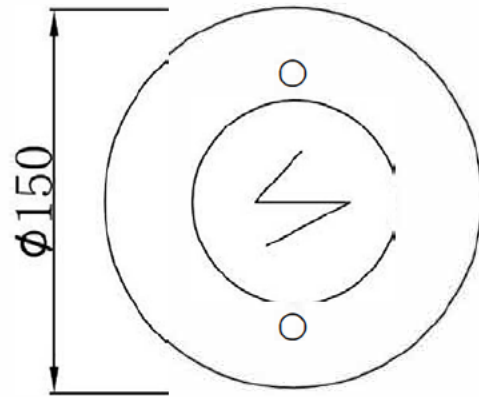
Drawn by:

Checked by:

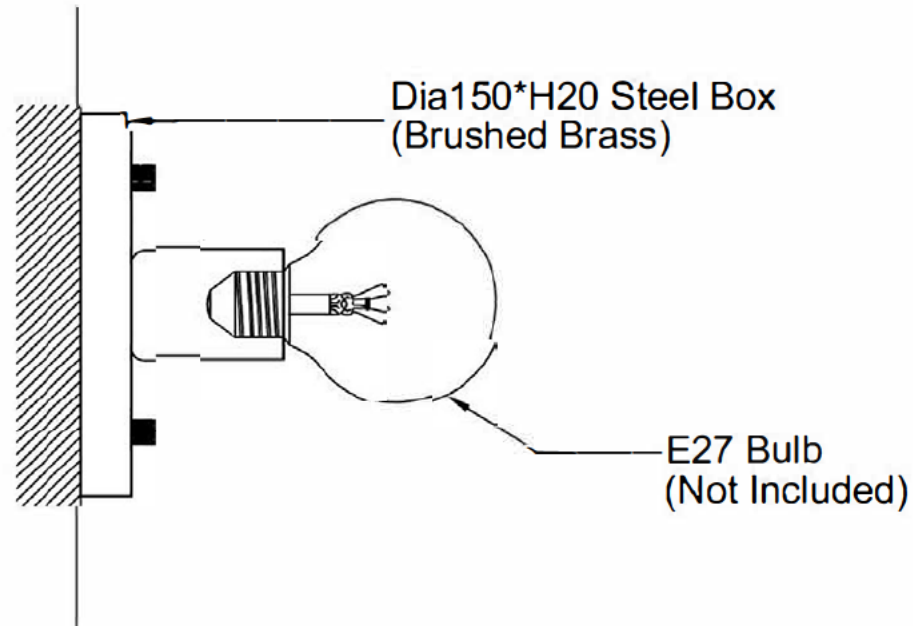
Proportion:

Date:

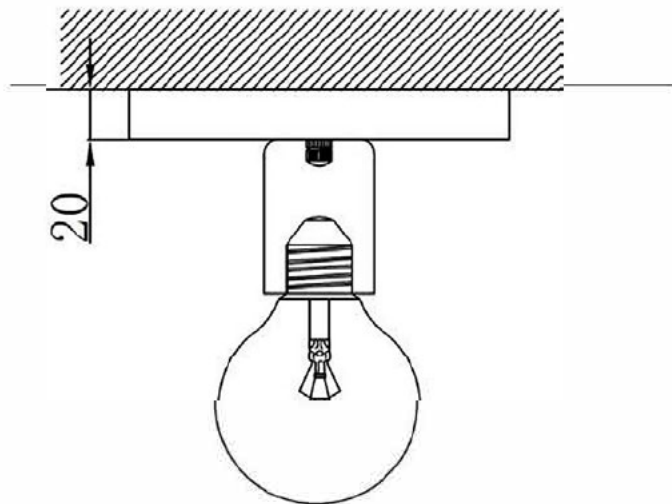
Length Unit:
MM

Front view



Side view



Top view



Reference photo

Version	Revision date
1	---
2	---
3	---
4	---

Project Name:

Installation Area:

Customer confirmation:

Model No.:	LP -WL-06
Fixture Type:	Wall Light
Dimension:	Dia 250*W1000mm
Finishing:	
Weight:	
Quantity:	
Light Source:	E27 Bulb
Standard:	CE

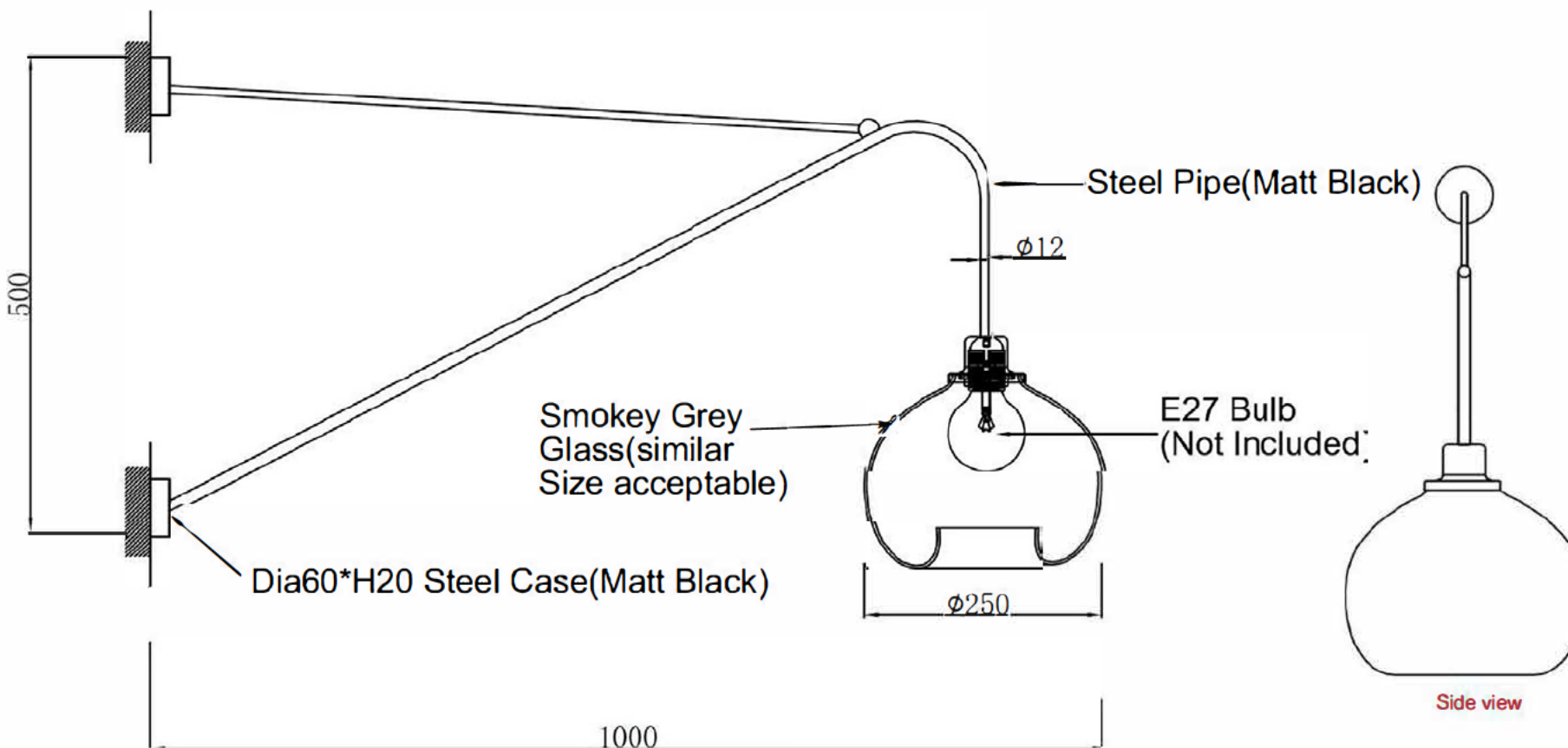
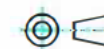
Drawn by:

Checked by:

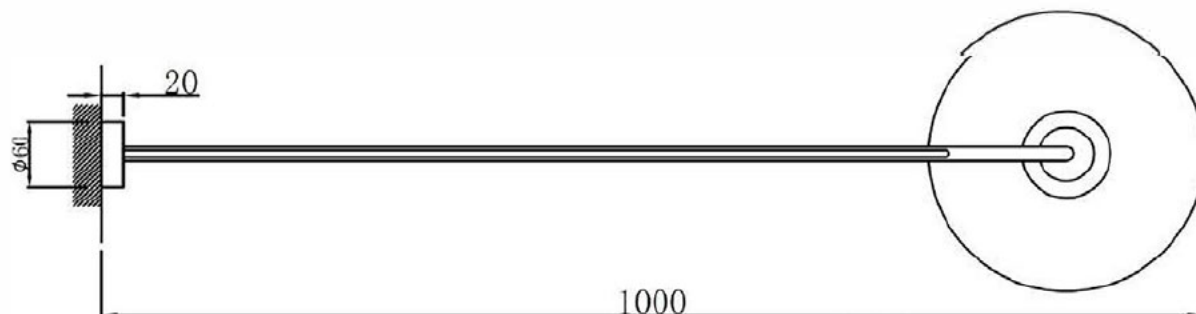
Proportion:

Date:

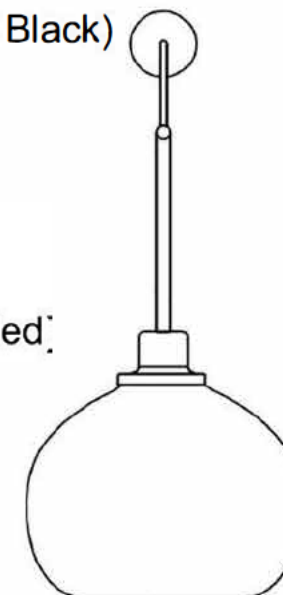
Length Unit:
MM



Front view



Top view



Side view



Reference photo