

Reference photo

Version	Revision date
1	---
2	
3	
4	

Project Name:

Installation Area:

Customer confirmation:

Model No.:	LP126AS1
Fixture Type:	Pendant Light
Dimension:	Dia 200 mm
Finishing:	
Weight:	
Quantity:	
Light Source:	E27
Bulb Standard:	CE

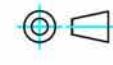
Drawn by:

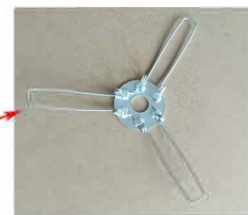
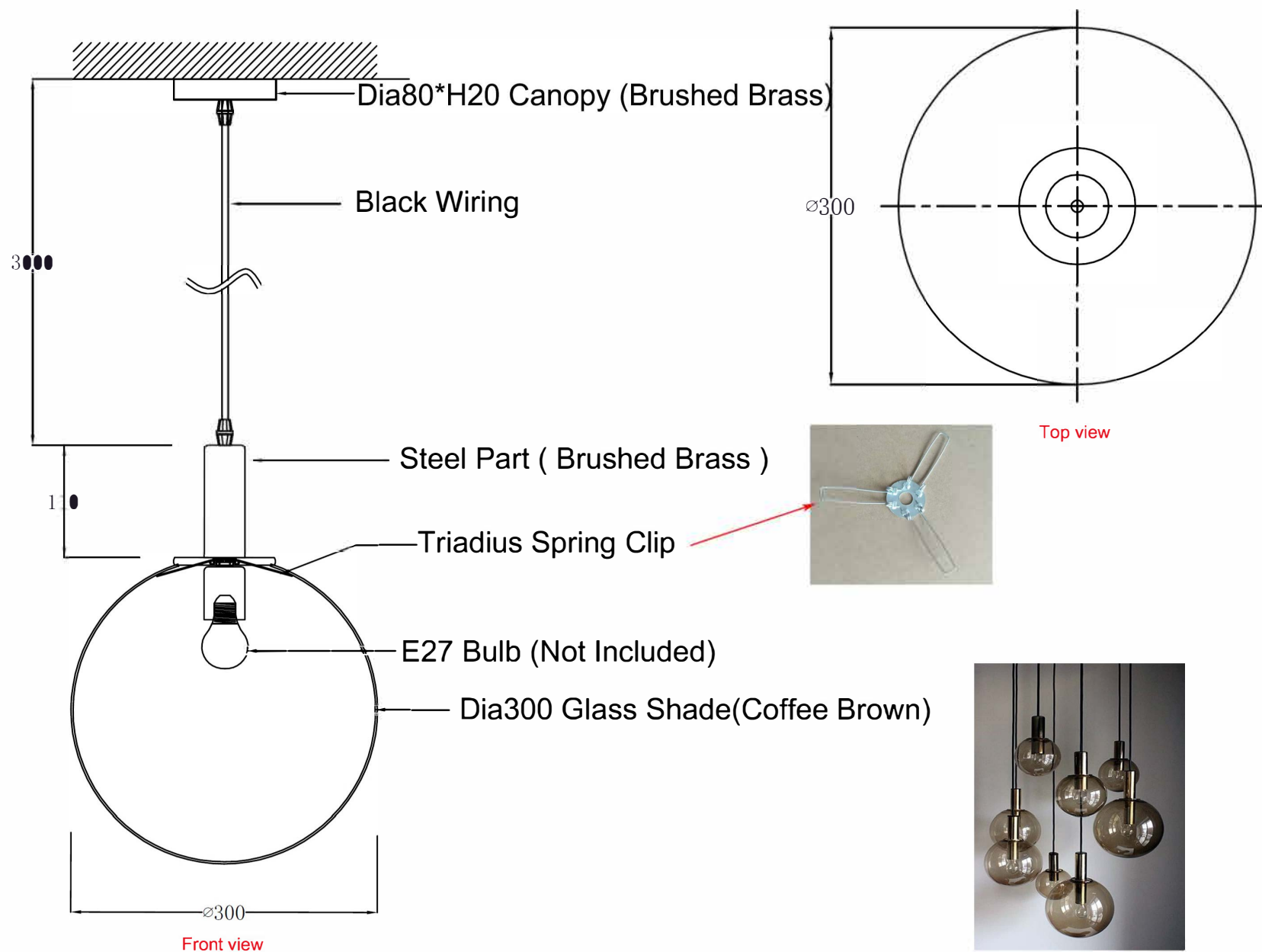
Checked by:

Proportion:

Date:

Length Unit:  
MM





Reference photo

Version	Revision date
1	---
2	
3	
4	

Project Name:

Installation Area:

Customer confirmation:

Model No.:	LP126AS2
Fixture Type:	Pendant Light
Dimension:	Dia 300 mm
Finishing:	
Weight:	
Quantity:	
Light Source:	E27 Bulb
Standard:	CE

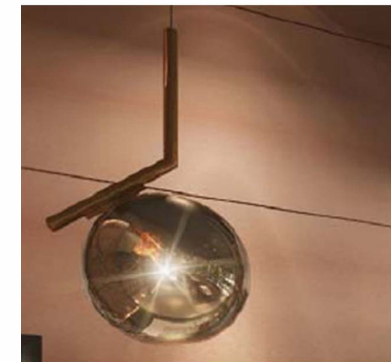
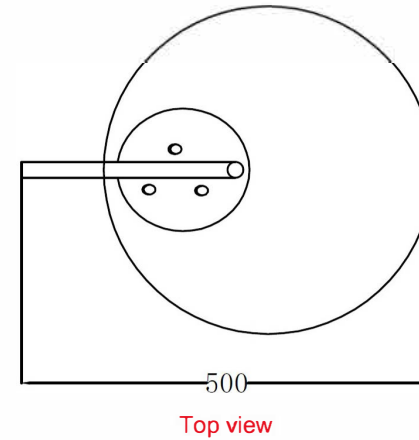
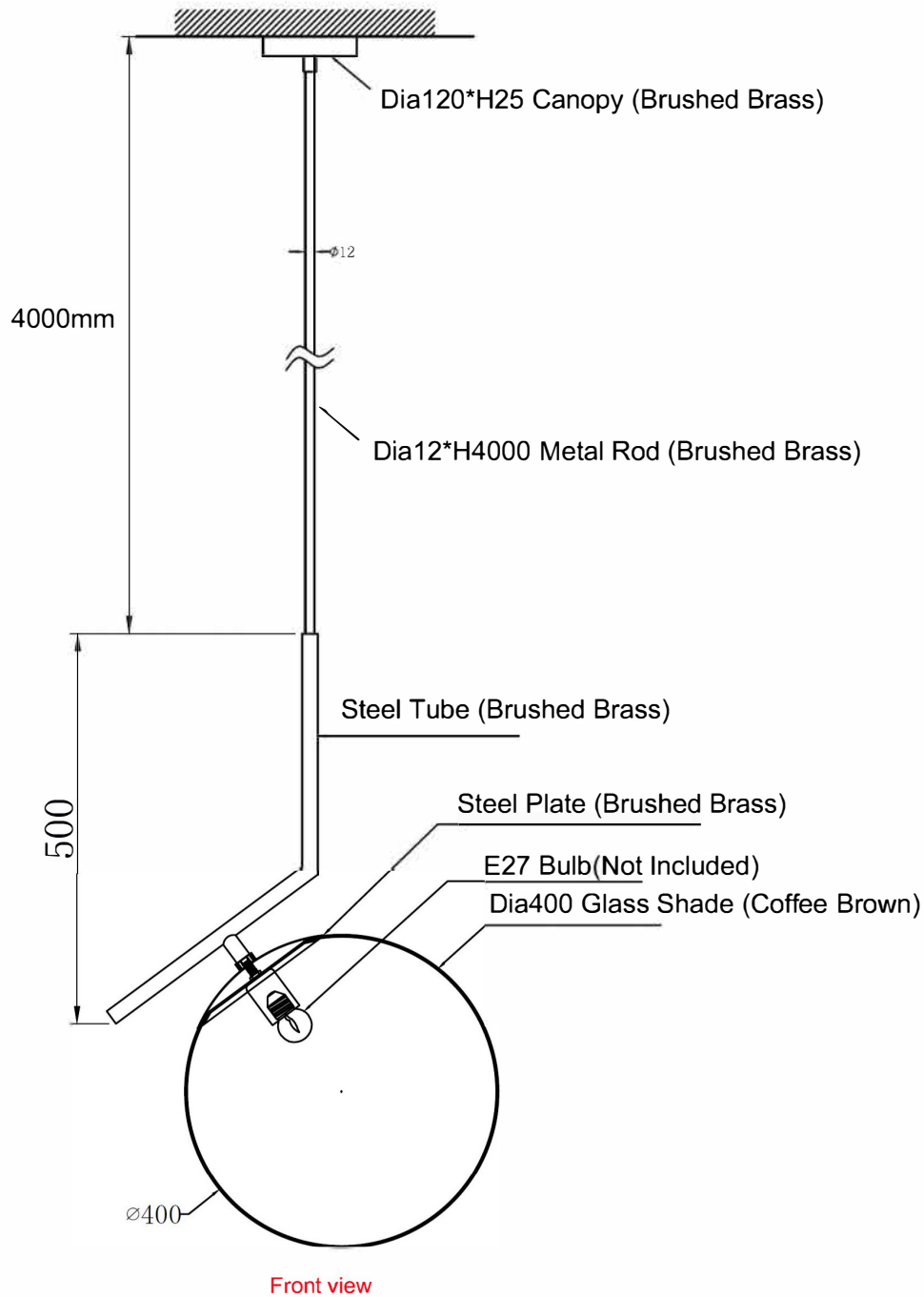
Drawn by:

Checked by:

Proportion:

Date:

Length Unit:  
MM



Reference photo

Version	Revision date
1	---
2	
3	
4	

Project Name:

Installation Area:

Customer confirmation:

Model No.:	LP126AS3
Fixture Type:	Pendant Light
Dimension:	OH-Dia 500 mm
Finishing:	
Weight:	
Quantity:	
Light Source	E27
Bulb Standard:	CE

Drawn by:

Checked by:

Proportion:

Date:

Length Unit:  
MM



Version	Revision date
1	---
2	
3	
4	

Project Name: \_\_\_\_\_

Installation Area: \_\_\_\_\_

Customer confirmation: \_\_\_\_\_

Model No.:	LP126AS4
Fixture Type:	Pendant Light
Dimension:	Dia 200 mm
Finishing:	
Weight:	
Quantity:	
Light Source	E27
Bulb Standard:	CE

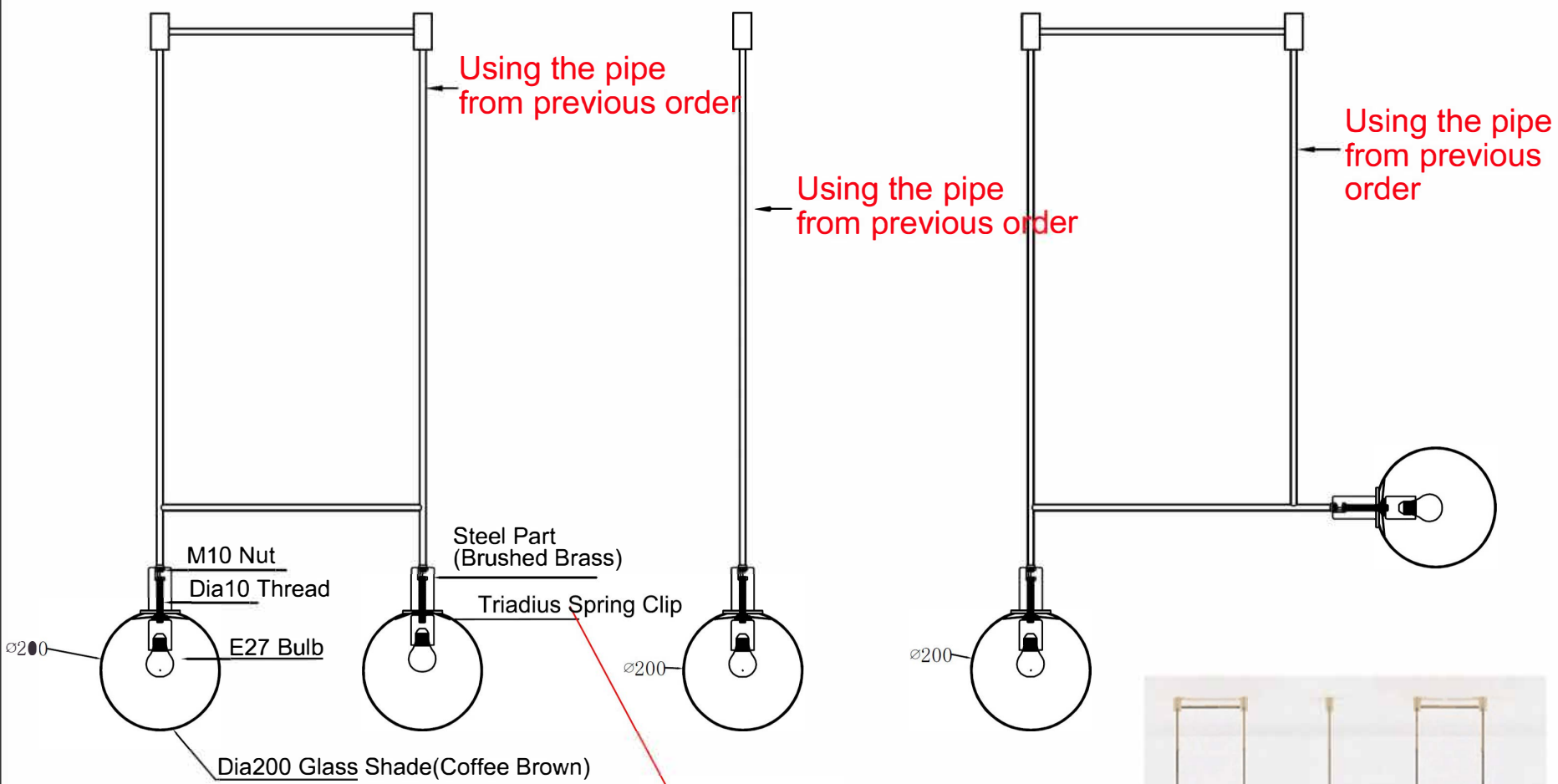
Drawn by: \_\_\_\_\_

Checked by: \_\_\_\_\_

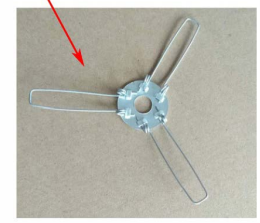
Proportion: \_\_\_\_\_

Date: \_\_\_\_\_

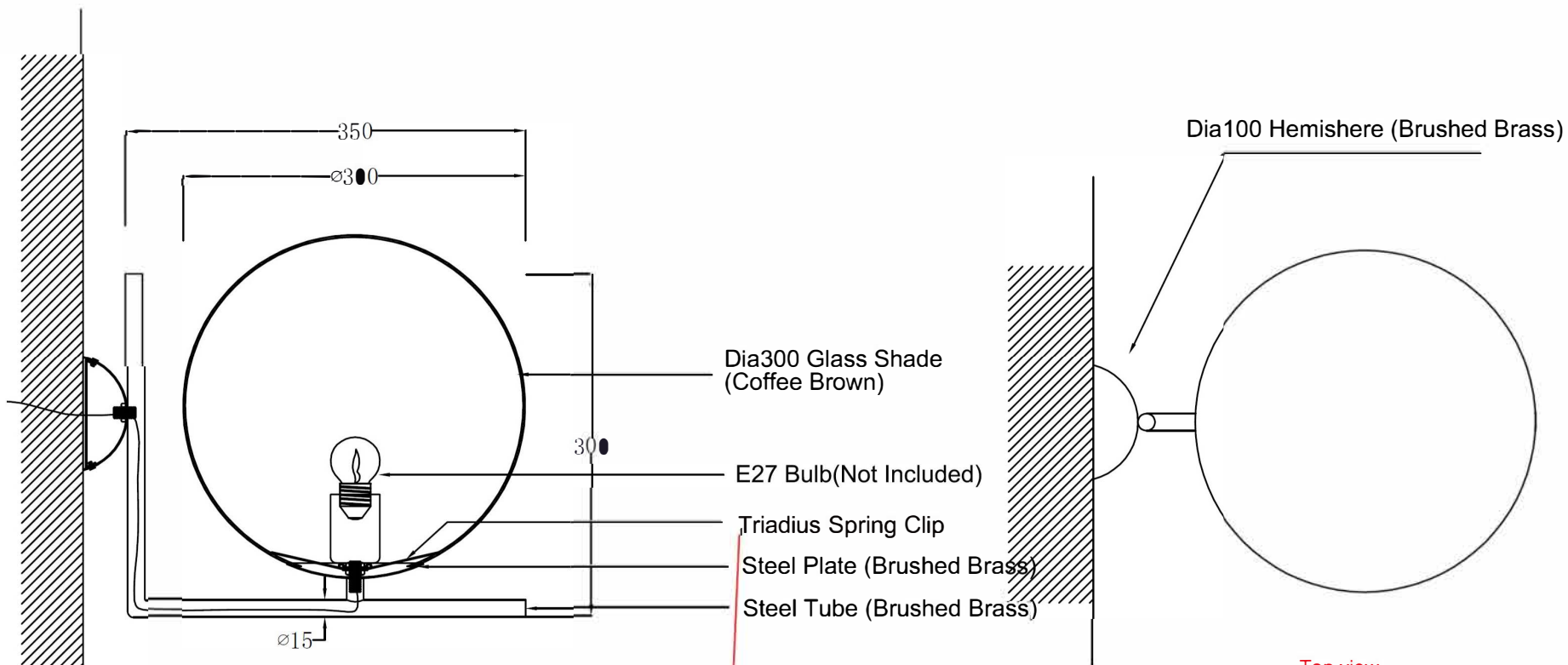
Length Unit:	MM
--------------	----



Front view



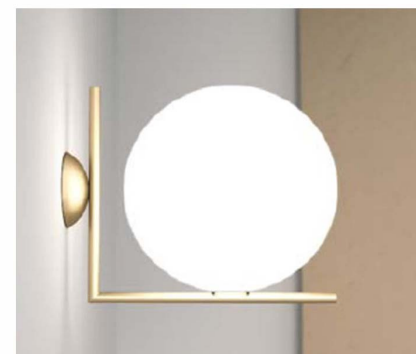
Reference photo



Front view



Top view



Reference photo

Version	Revision date
1	---
2	
3	
4	

Project Name:

Installation Area:

Customer confirmation:

Model No.:	LP126AS5
Fixture Type:	Wall Light
Dimension:	Dia 300 mm
Finishing:	
Weight:	
Quantity:	
Light Source:	E27
Bulb Standard:	CE

Drawn by:

Checked by:

Proportion:

Date:

Length Unit:  
MM