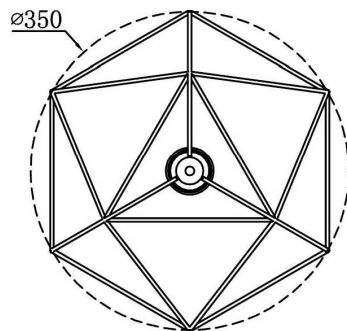
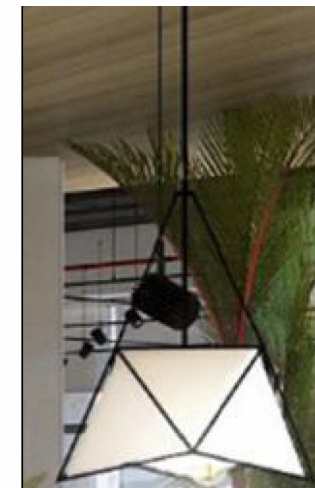
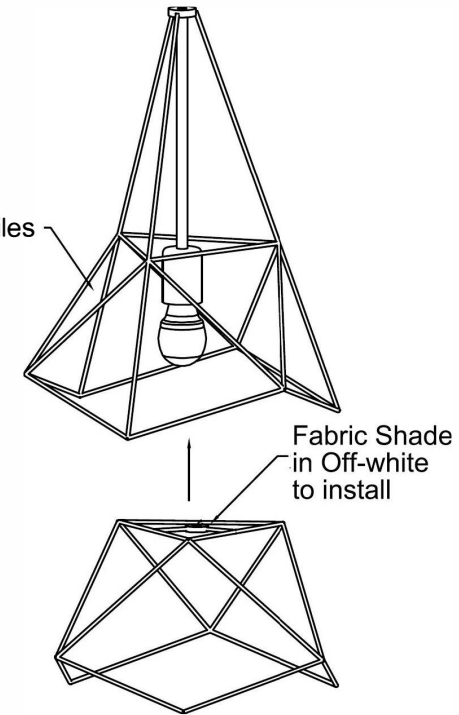
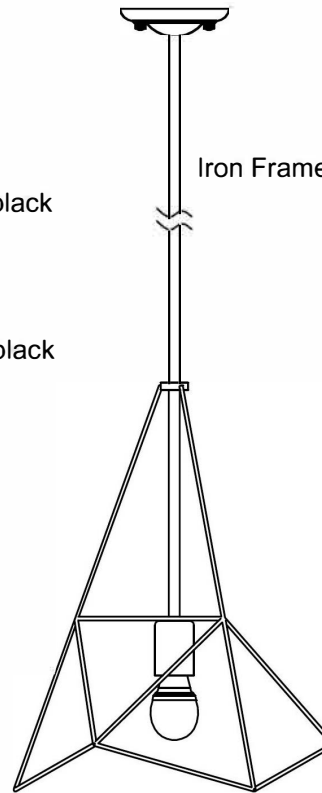


Front view



Top view



Reference photo

Version	Revision date
1	---
2	
3	
4	

Project Name:

Installation Area:

Customer confirmation:

Model No.:	
Fixture Type:	
Dimension:	
Finishing:	
Weight:	
Quantity:	
Light Source:	
Standard:	

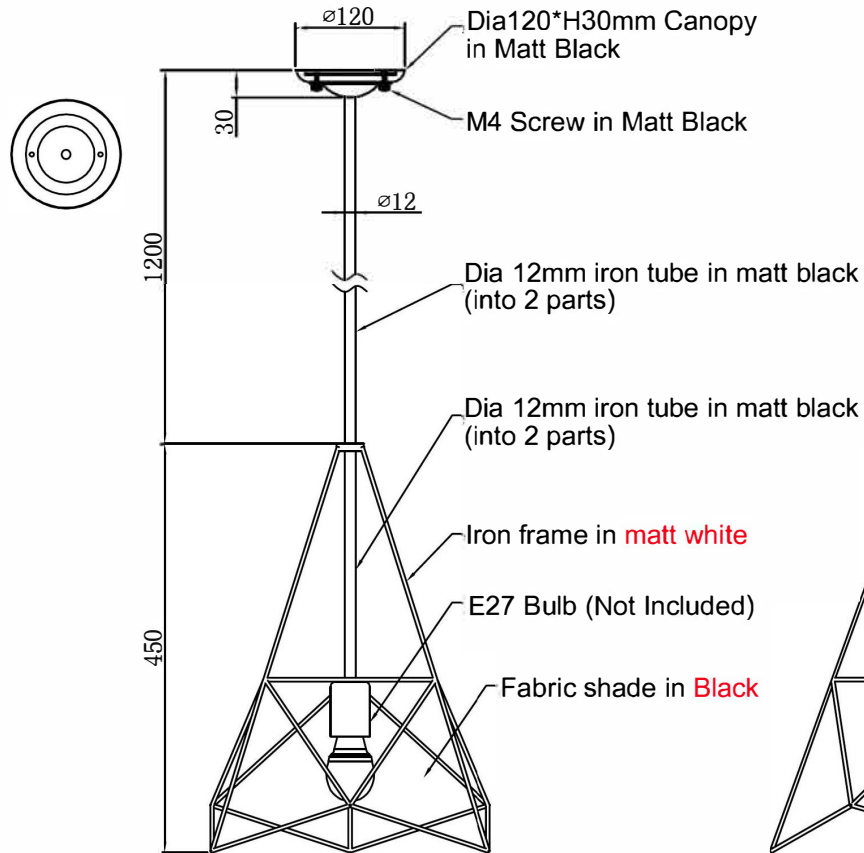
Drawn by:

Checked by:

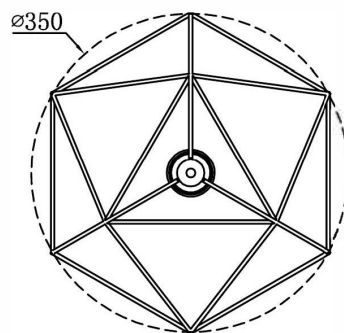
Proportion:

Date:

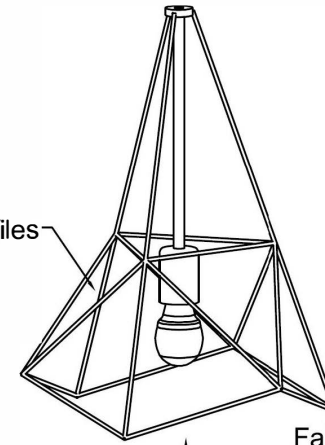
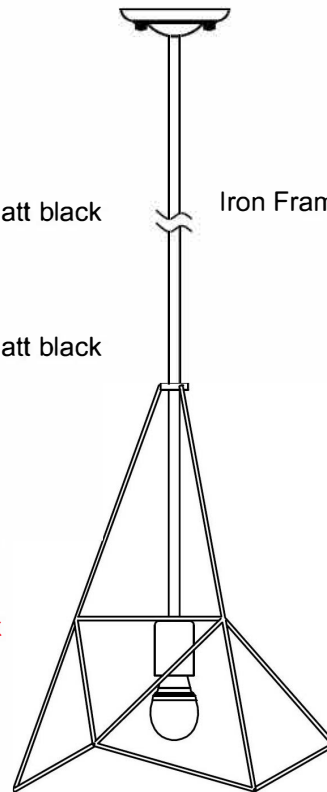
Length Unit: MM	
--------------------	--



Front view



Top view



Reference photo

Version	Revision date
1	---
2	
3	
4	

Project Name: \_\_\_\_\_

Installation Area: \_\_\_\_\_

Customer confirmation: \_\_\_\_\_

Model No.:	
Fixture Type:	
Dimension:	
Finishing:	
Weight:	
Quantity:	
Light Source:	
Standard:	

Drawn by: \_\_\_\_\_

Checked by: \_\_\_\_\_

Proportion: \_\_\_\_\_

Date: \_\_\_\_\_

Length Unit: MM	
--------------------	--