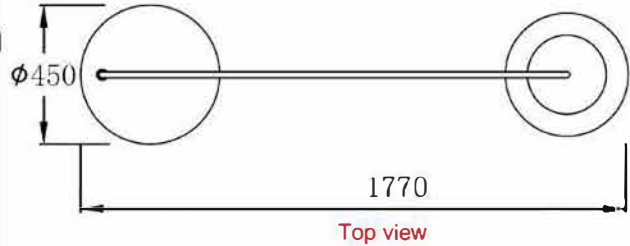
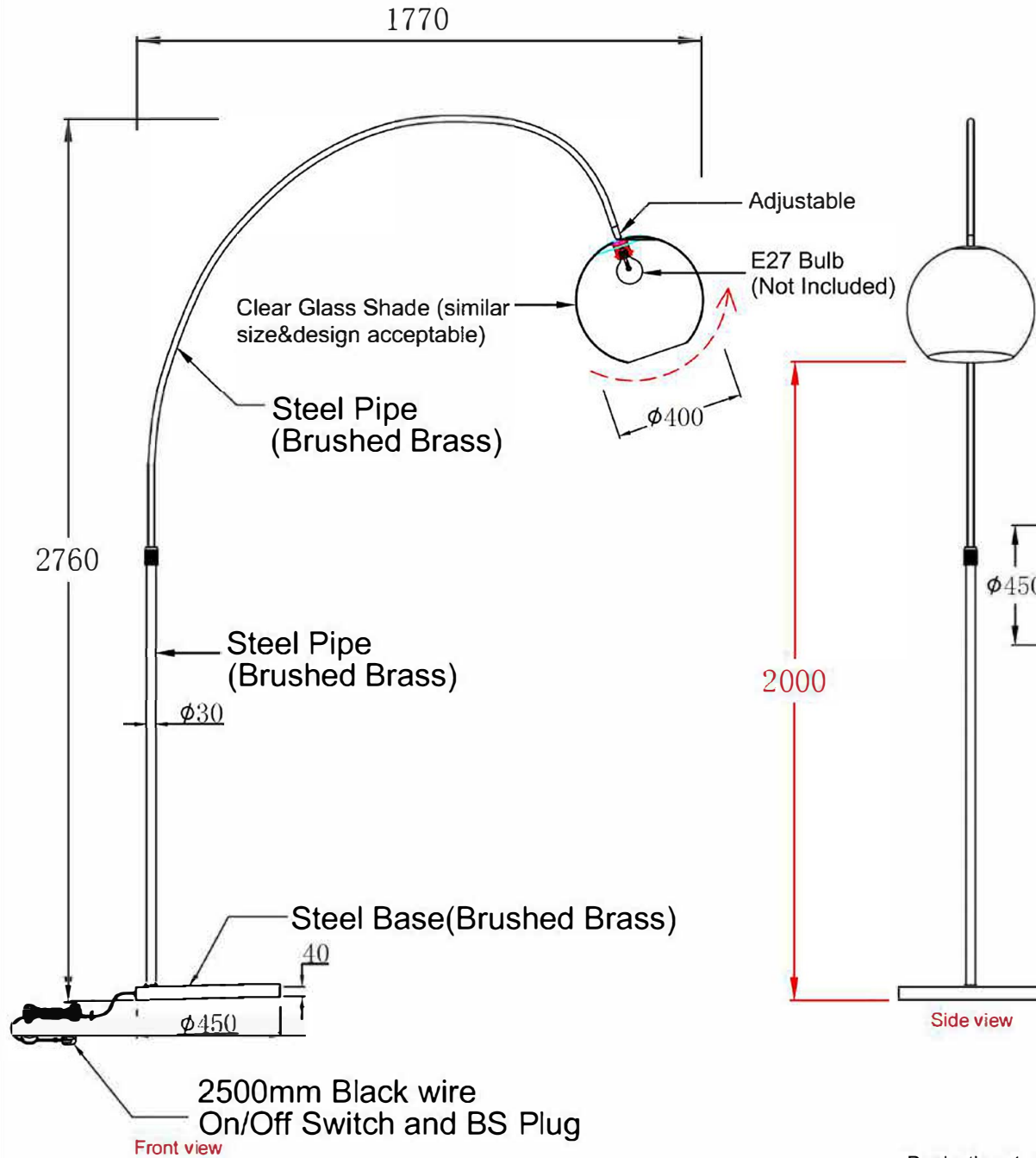


Brushed Brass color
close to this color sample



Reference photo

Version	Revision date
1	---
2	
3	
4	

Project Name:
Dubai UAE Project

Installation Area:

Customer confirmation:

Model No.:	FL-02
Fixture Type:	Floor Light
Dimension:	Dia400*H2760mm
Finishing:	
Weight:	
Quantity:	
Light Source:	E27 Bulb
Standard:	CE

Drawn by:	
Checked by:	
Proportion:	
Date:	

Length Unit:	MM
--------------	----

Version	Revision date
1	---
2	
3	
4	

Project Name: _____

Installation Area: _____

Customer confirmation: _____

Model No.:	
Fixture Type:	
Dimension:	
Finishing:	
Weight:	
Quantity:	
Light Source:	
Standard:	

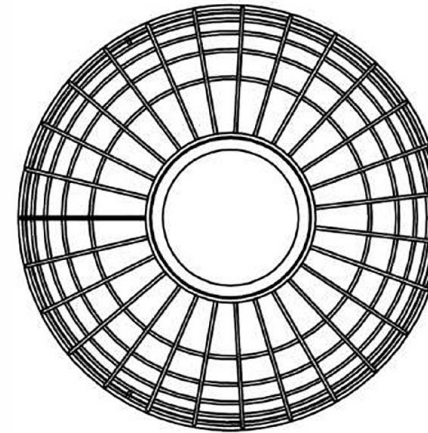
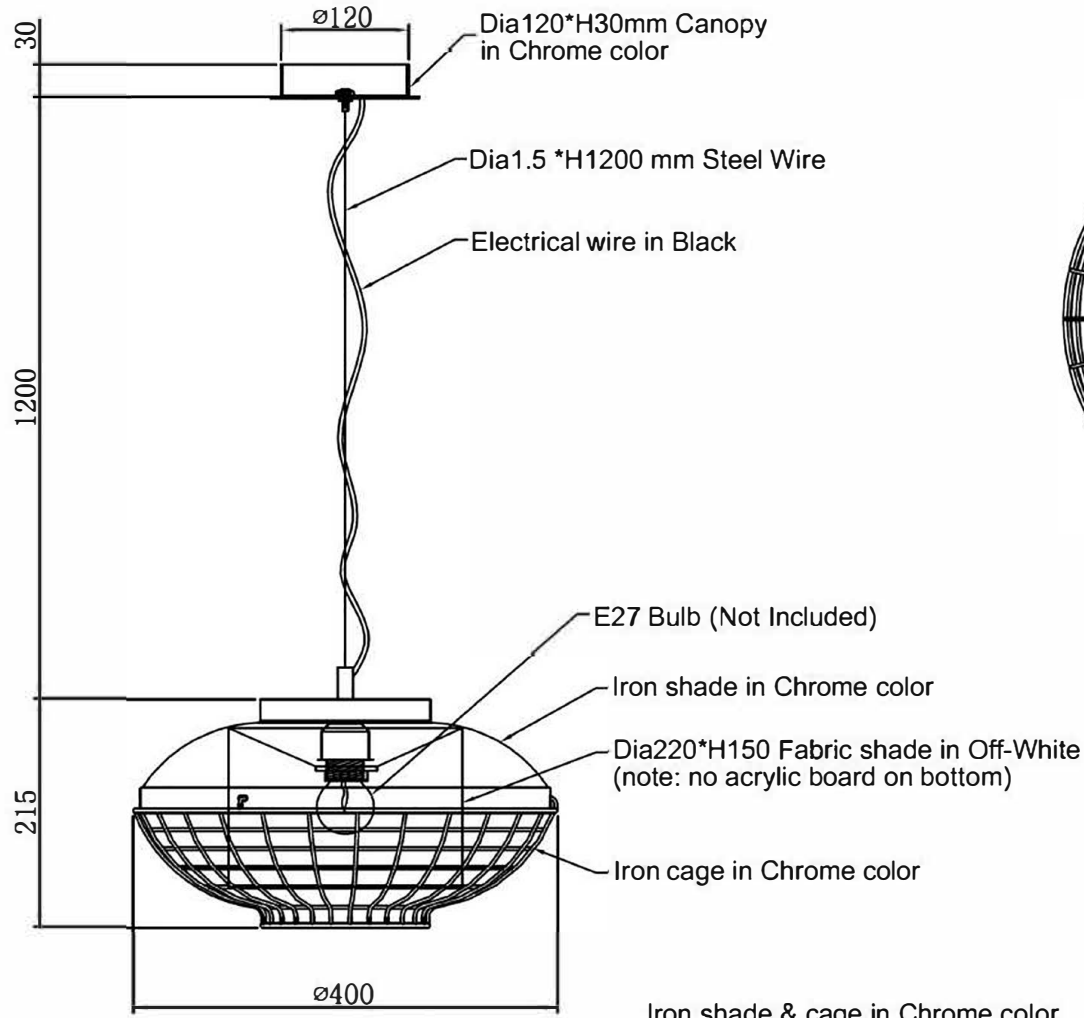
Drawn by: _____

Checked by: _____

Proportion: _____

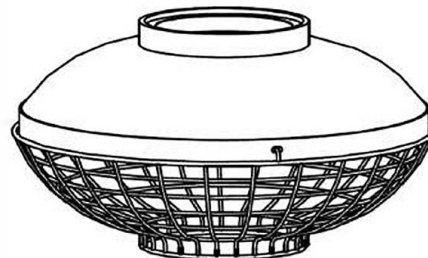
Date: _____

Length Unit: MM	
-----------------	--



Top view

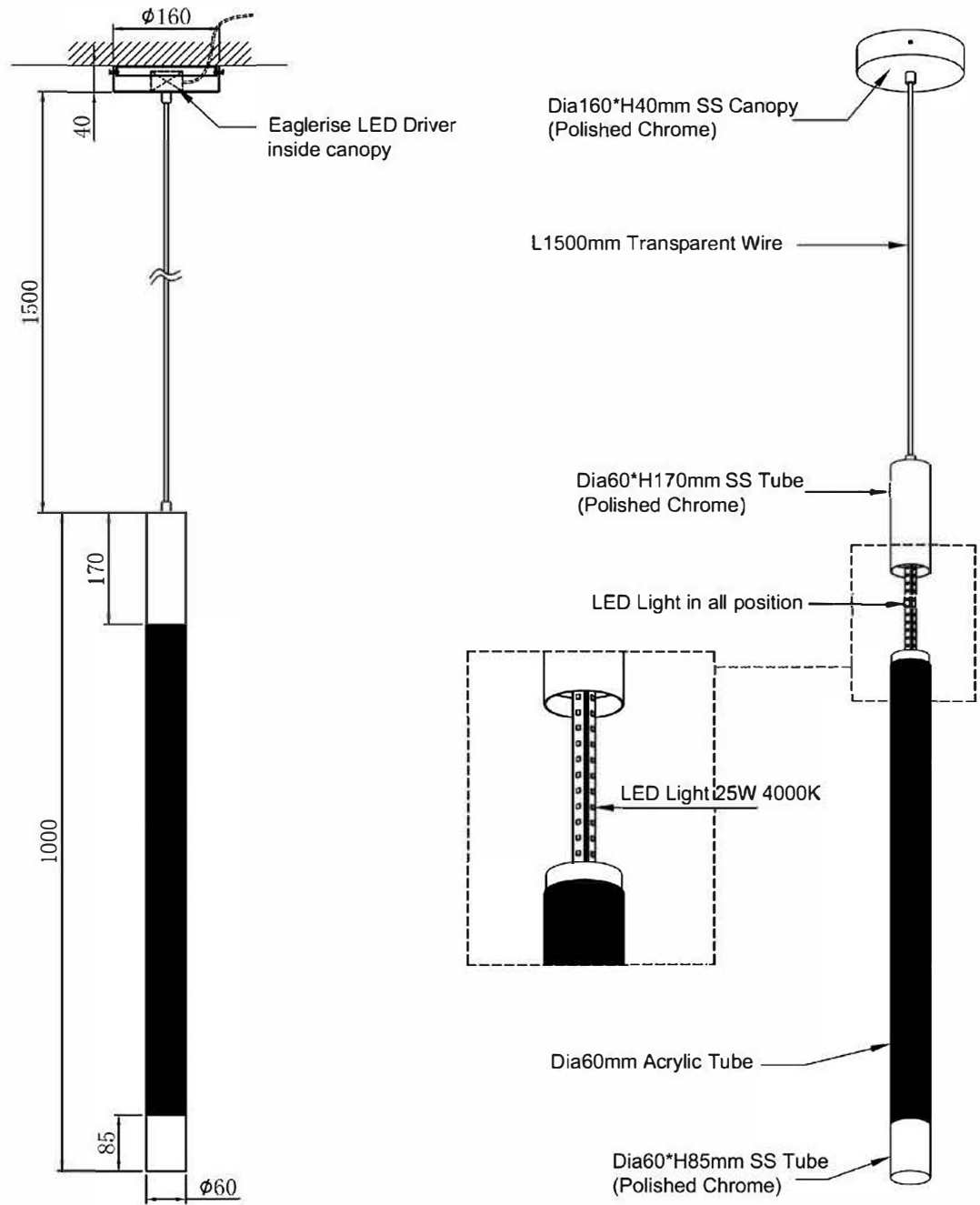
Iron shade & cage in Chrome color



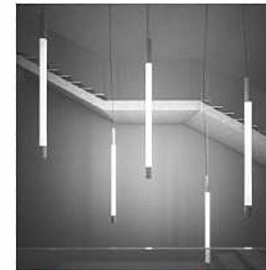
Front view



Reference photo



Front view



Reference photo

Production standard: LP7000.10-2002, LP700.11-2002, LP7000.1-2002

Version	Revision date
1	---
2	
3	
4	

Project Name:

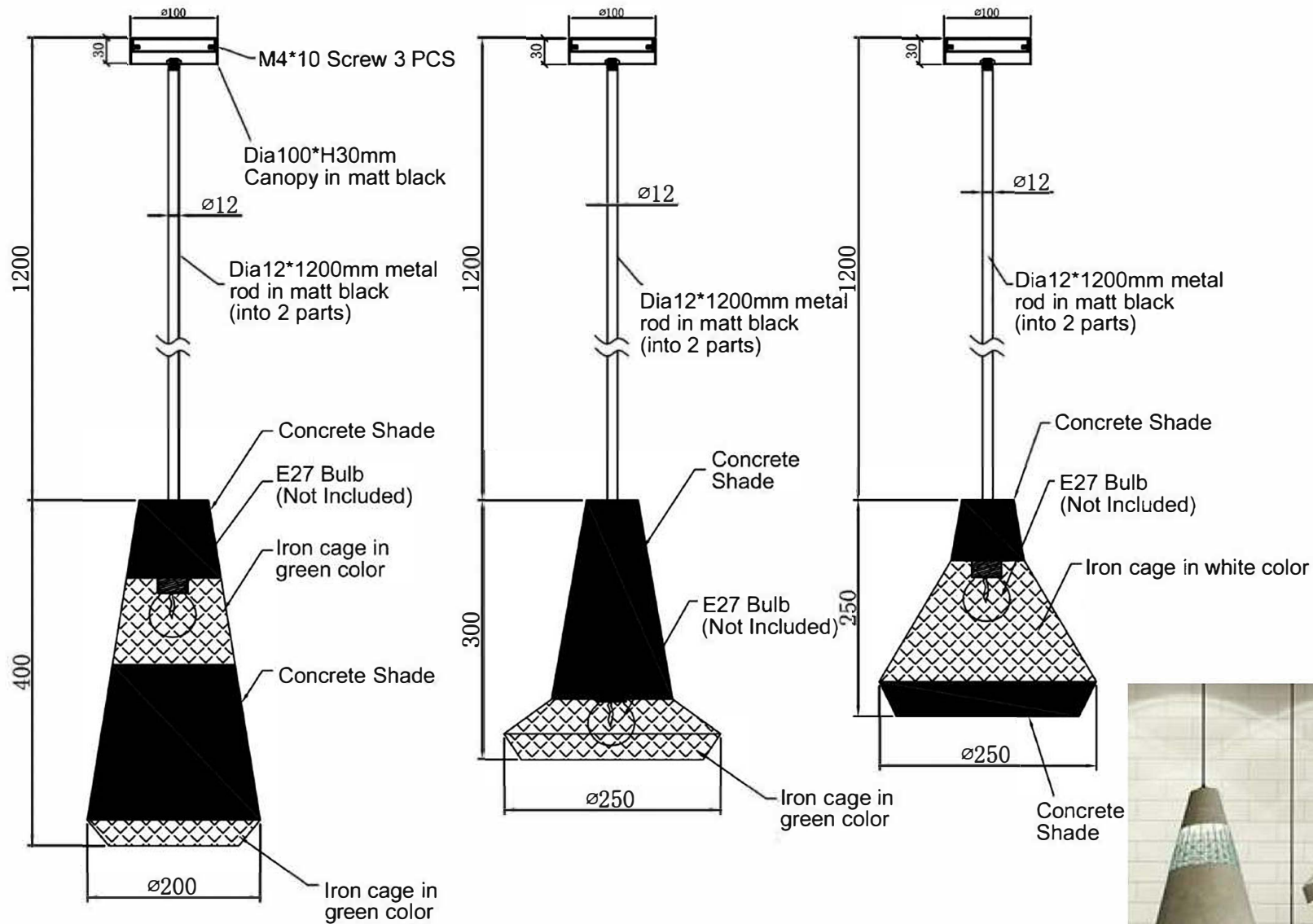
Installation Area:

Customer confirmation:

Model No.:	GLP60100CM
Fixture Type:	Pendant Light
Dimension:	Dia60*H1000mm
Finishing:	Chrome + MW
Weight:	
Quantity:	
Light Source:	Built-in LED
Standard:	CE

Drawn by:	
Checked by:	
Proportion:	
Date:	

Length Unit: MM	
--------------------	--



Version	Revision date
1	---
2	
3	
4	

Project Name:
Installation Area:

Customer confirmation:

Model No.:	
Fixture Type:	
Dimension:	
Finishing:	
Weight:	
Quantity:	
Light Source:	
Standard:	

Drawn by:
Checked by:
Proportion:
Date:

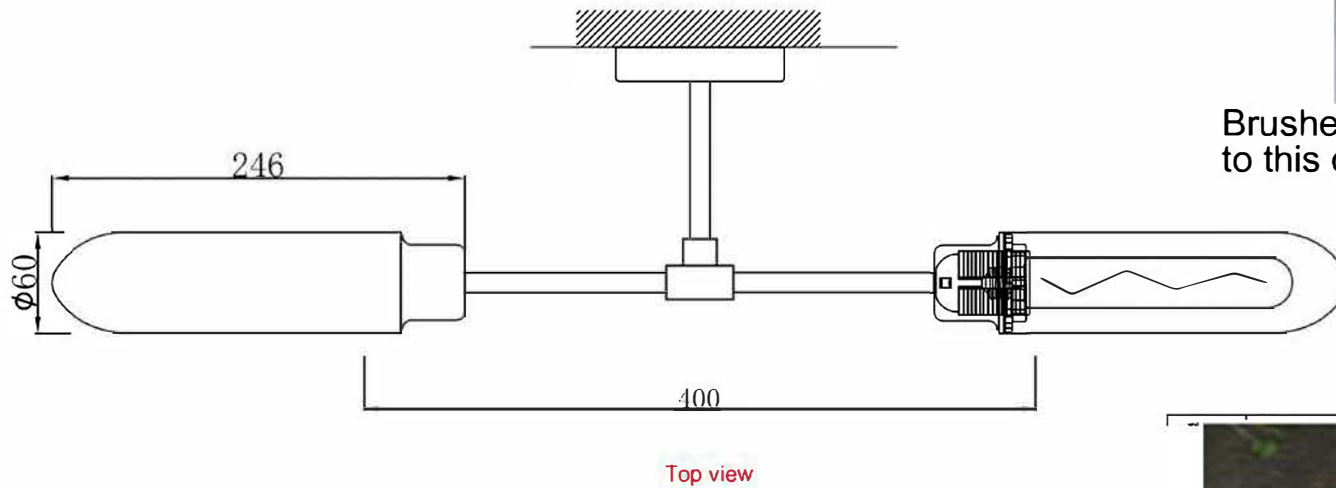
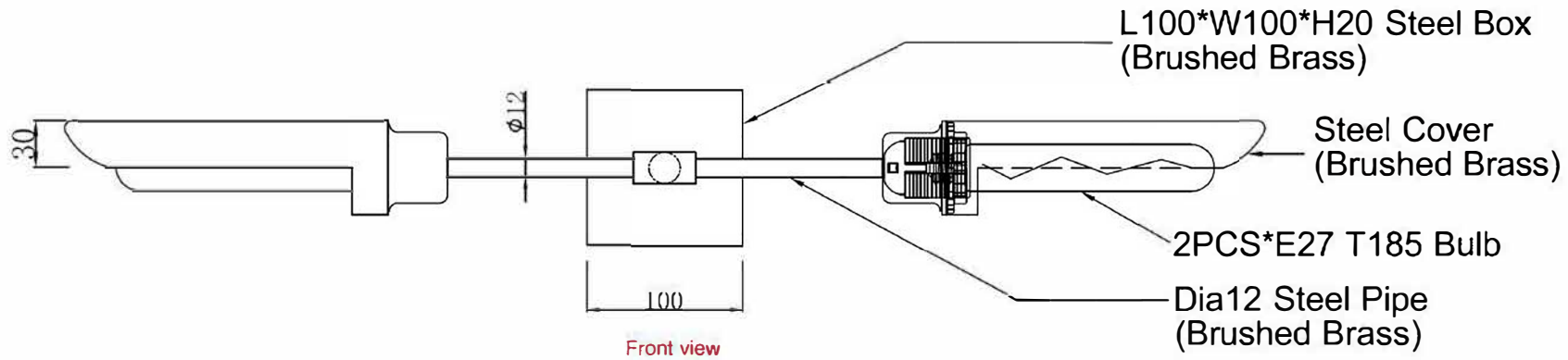
Length Unit: MM



Reference photo

Note: Final dimension of actual products maybe not exactly same as above, but will be in similar size.

Front view



Version	Revision date
1	---
2	
3	
4	

Project Name:
Dubai UAE Project

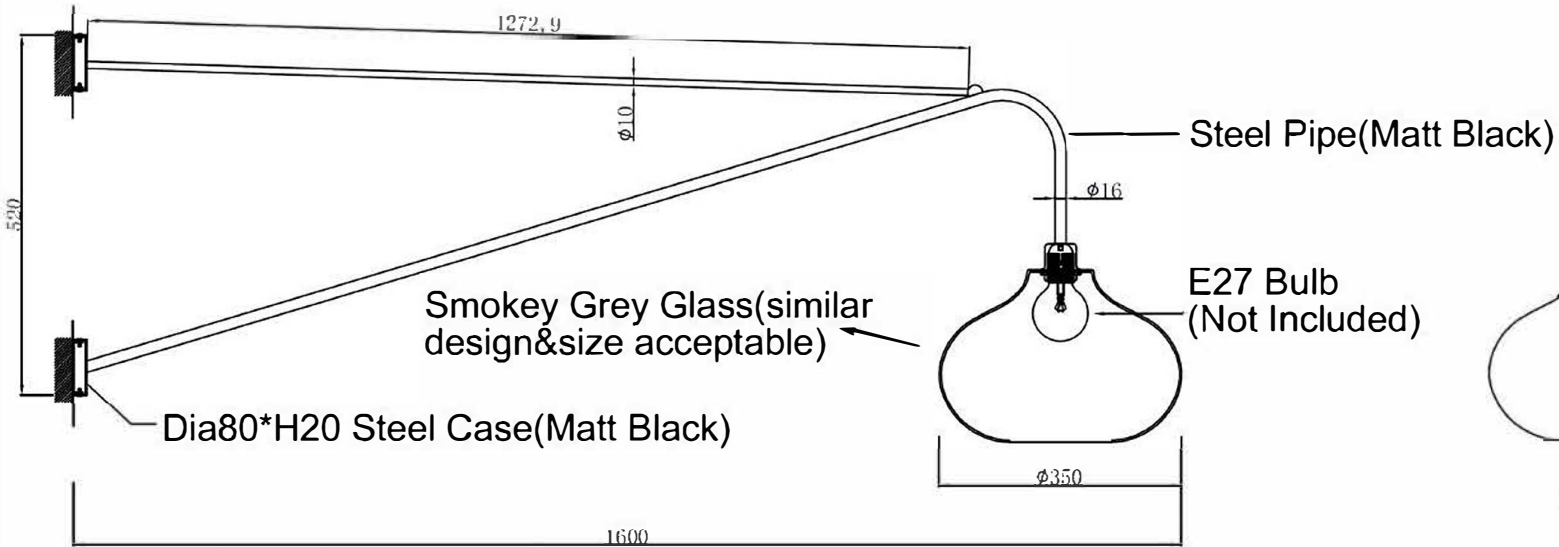
Installation Area:

Customer confirmation:

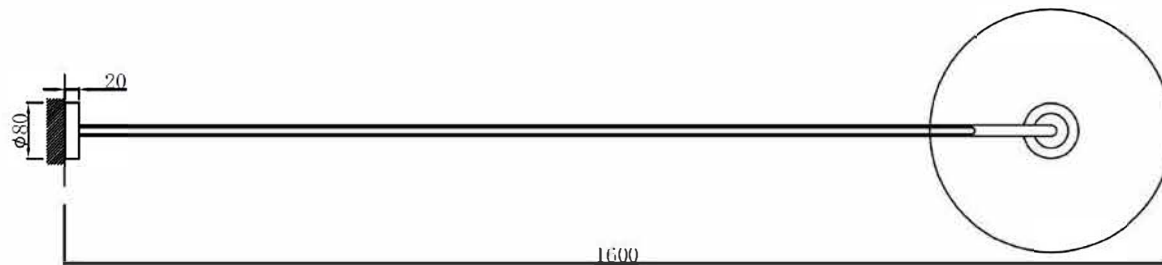
Model No.:	WL-01
Fixture Type:	Wall Light
Dimension:	L400mm
Finishing:	
Weight:	
Quantity:	1 pcs
Light Source:	E27 Bulb
Standard:	CE

Drawn by:	
Checked by:	
Proportion:	
Date:	May 08, 2018

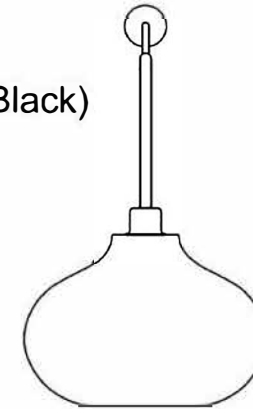
Length Unit: MM	
--------------------	--



Front view



Top view



Side view



Reference photo

Version	Revision date
1	---
2	
3	
4	

Project Name: _____

Installation Area: _____

Customer confirmation: _____

Model No.:	WL-06
Fixture Type:	Wall Light
Dimension:	Dia 350*W1600mm
Finishing:	
Weight:	
Quantity:	
Light Source:	E27 Bulb
Standard:	CE

Drawn by: _____

Checked by: _____

Proportion: _____

Date: _____

Length Unit: MM

