

Reference photo

Version	Revision date
1	---
2	
3	
4	

Project Name:

Installation Area:

Customer confirmation:

Model No.:	GLP1540CM
Fixture Type:	Pendant Light
Dimension:	D150*H400mm
Finishing:	
Weight:	
Quantity:	
Light Source:	E27 Bulb
Standard:	CE

Drawn by:	
Checked by:	
Proportion:	
Date:	Mar 12, 2018

Length Unit:	MM

Version	Revision date
1	---
2	
3	
4	

Project Name:

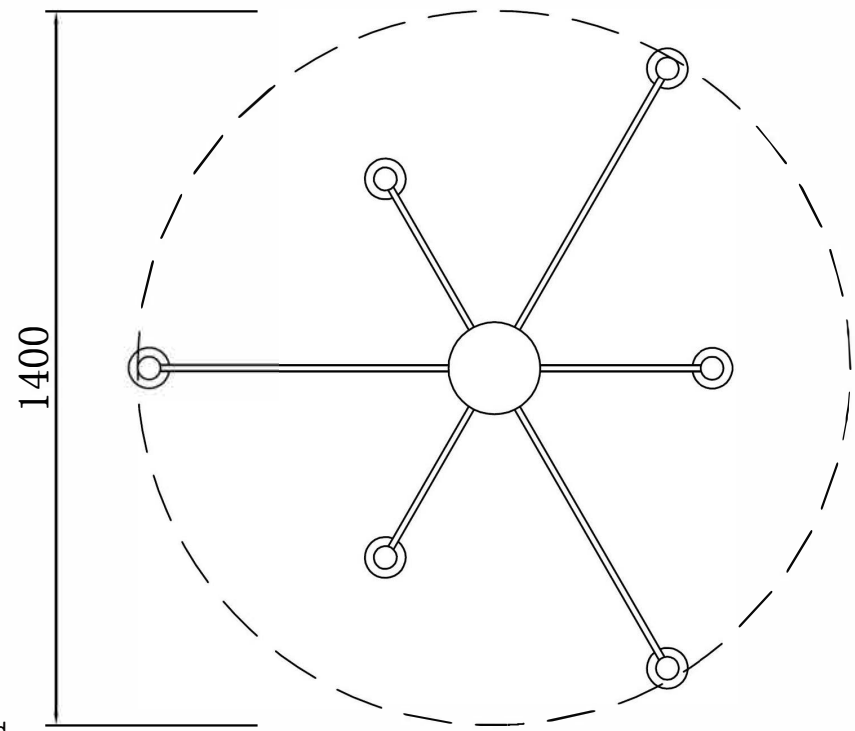
Installation Area:

Customer confirmation:

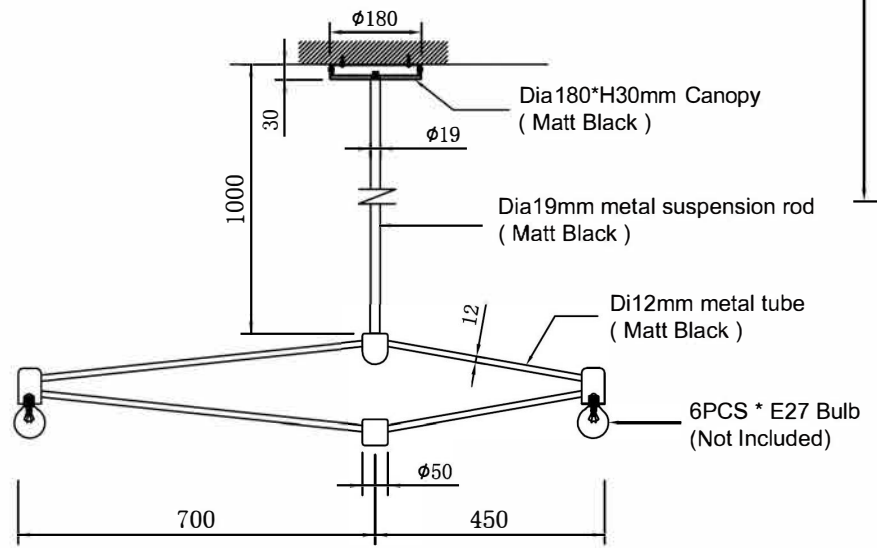
Model No.:	GLP1400MB6
Fixture Type:	Pendant Light
Dimension:	D1400mm
Finishing:	
Weight:	
Quantity:	
Light Source:	E27 Bulb
Standard:	CE

Drawn by:	
Checked by:	
Proportion:	
Date:	

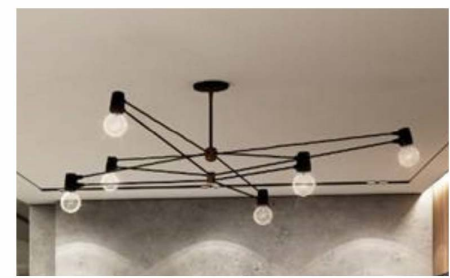
Length Unit: MM	
--------------------	--



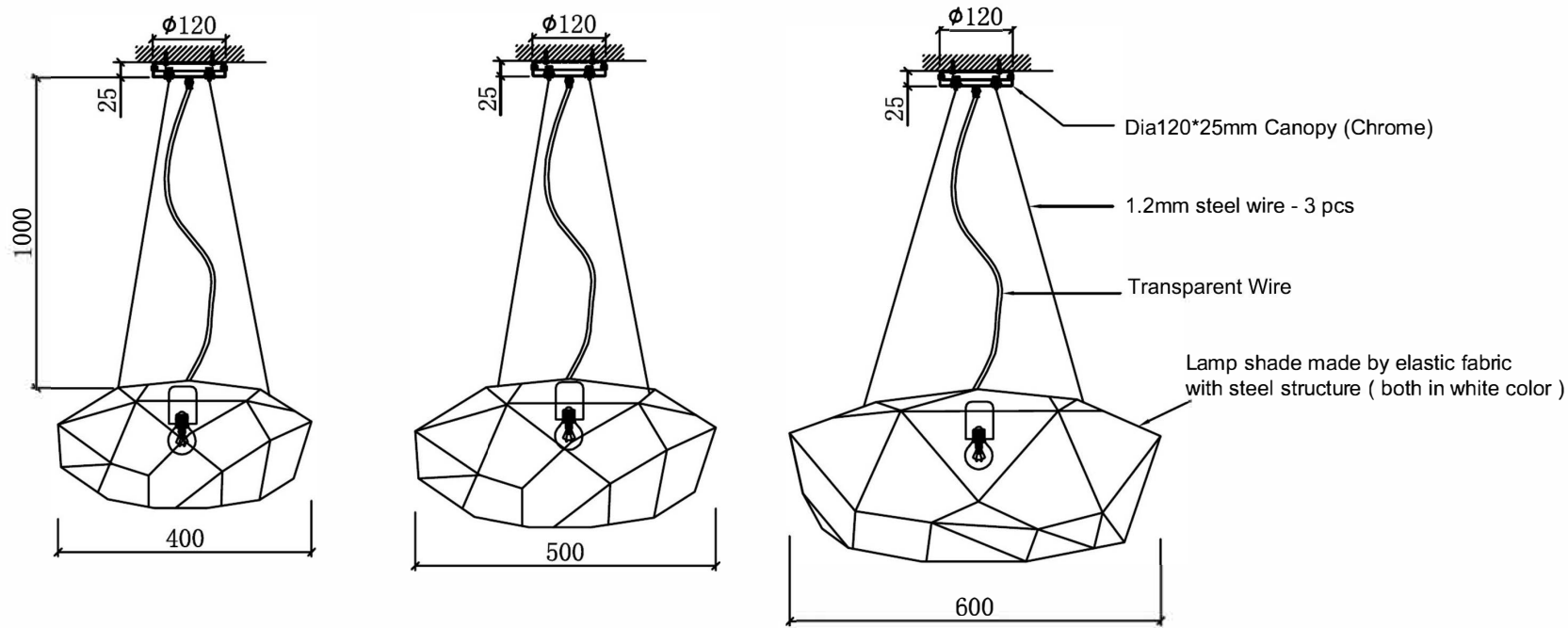
Top view



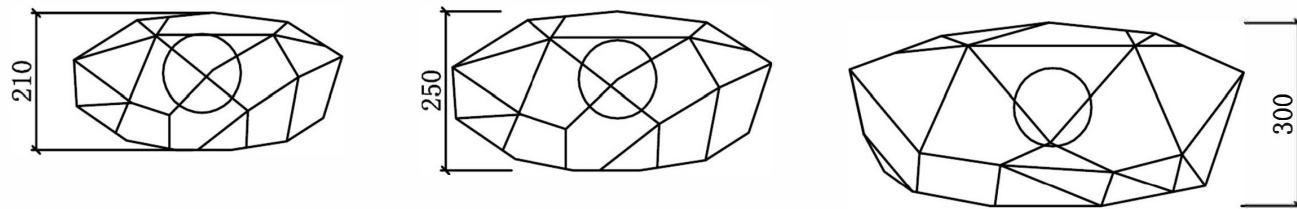
Front view



Reference photo



Front view



Top view



Reference photo

Version	Revision date
1	---
2	
3	
4	

Project Name:

Installation Area:

Customer confirmation:

Model No.:	GLP405060FW
Fixture Type:	Pendant Light
Dimension:	D400,D500,D600
Finishing:	
Weight:	
Quantity:	
Light Source:	E27
Bulb Standard:	CE

Drawn by:

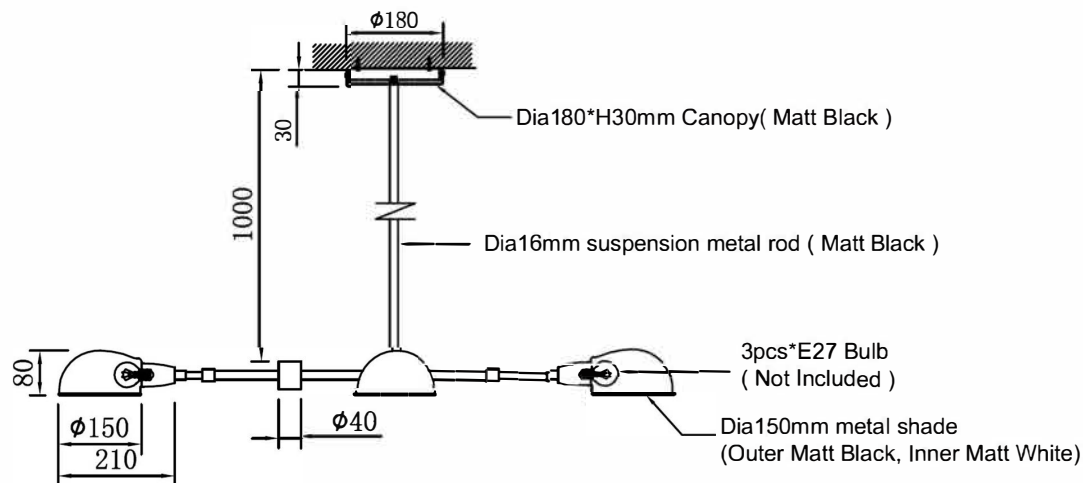
Checked by:

Proportion:

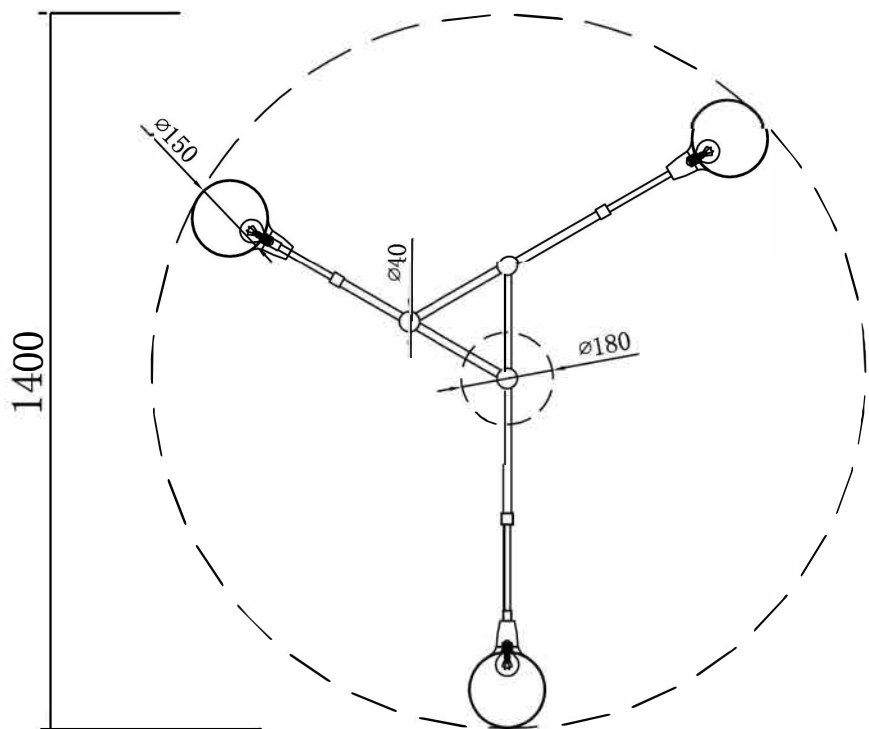
Date:

Length Unit:
MM





Front view



Top view



Reference photo

Version	Revision date
1	---
2	
3	
4	

Installation Area:

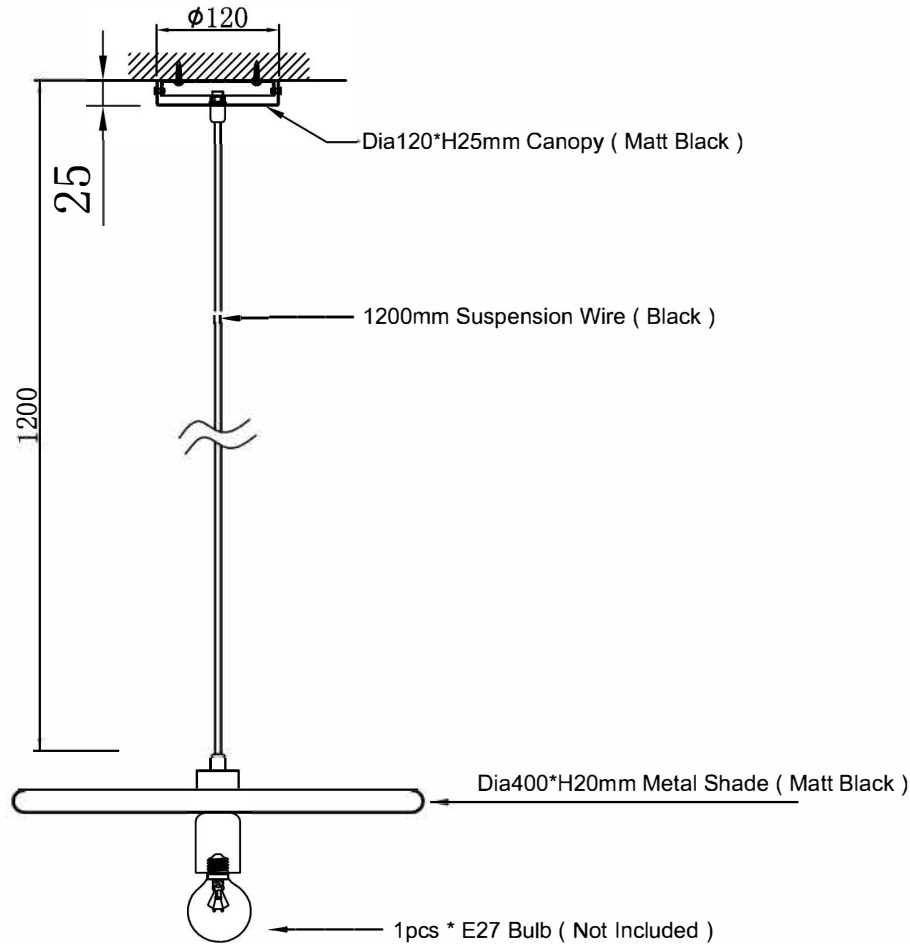
Customer confirmation:

Model No.:	GLP1400MB3
Fixture Type:	Pendant Light
Dimension:	D1400mm
Finishing:	
Weight:	
Quantity:	
Light Source:	E27 Bulb
Standard:	CE

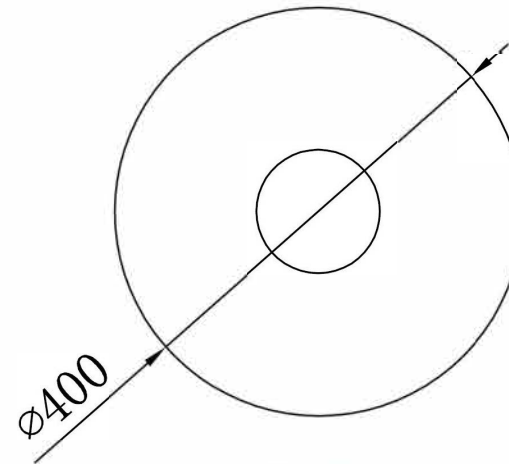
Drawn by:	
Checked by:	
Proportion:	
Date:	

Length Unit:	MM
--------------	----





Front view



Top view



Reference photo

Version	Revision date
1	---
2	
3	
4	

Project Name:

Installation Area:

Customer confirmation:

Model No.:	GLP400MB
Fixture Type:	Pendant Light
Dimension:	D400mm
Finishing:	
Weight:	
Quantity:	
Light Source:	E27
Bulb Standard:	CE

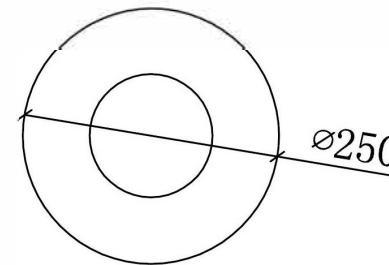
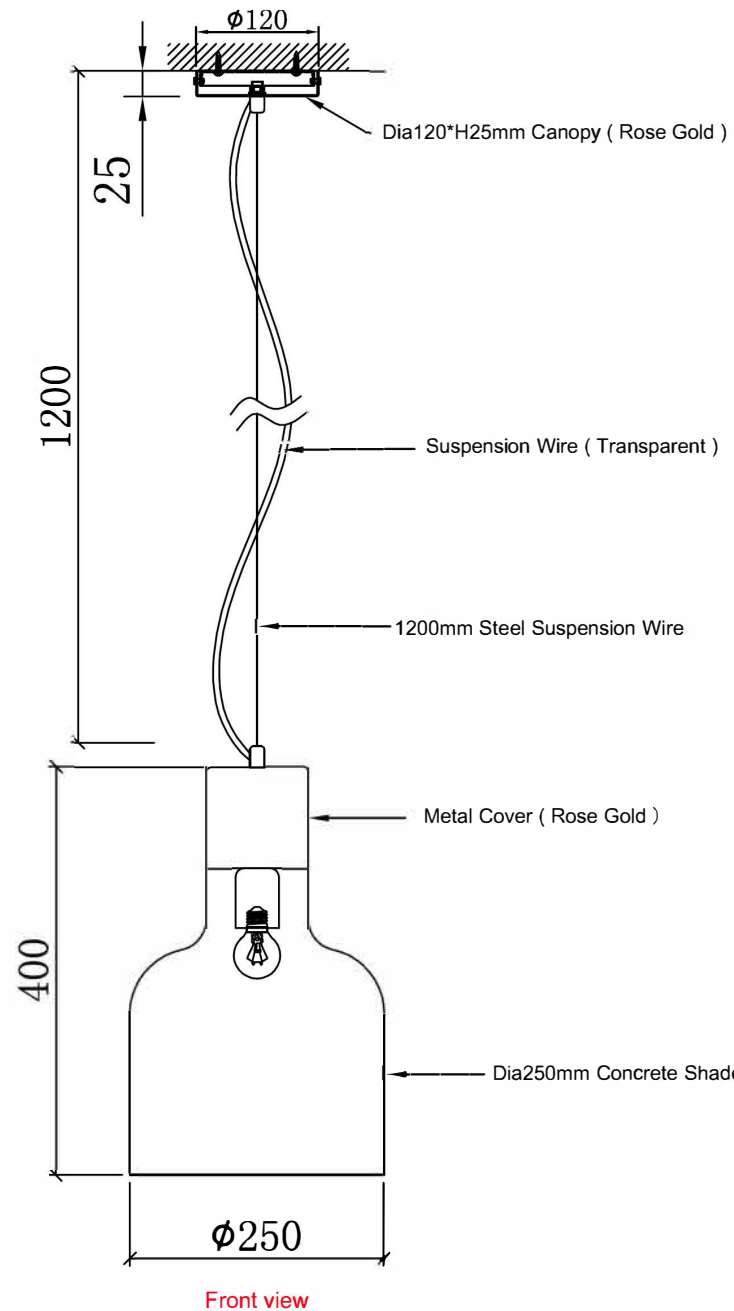
Drawn by:

Checked by:

Proportion:

Date:

Length Unit: MM	
--------------------	--



Top view



Reference photo

Version	Revision date
1	---
2	
3	
4	

Project Name:

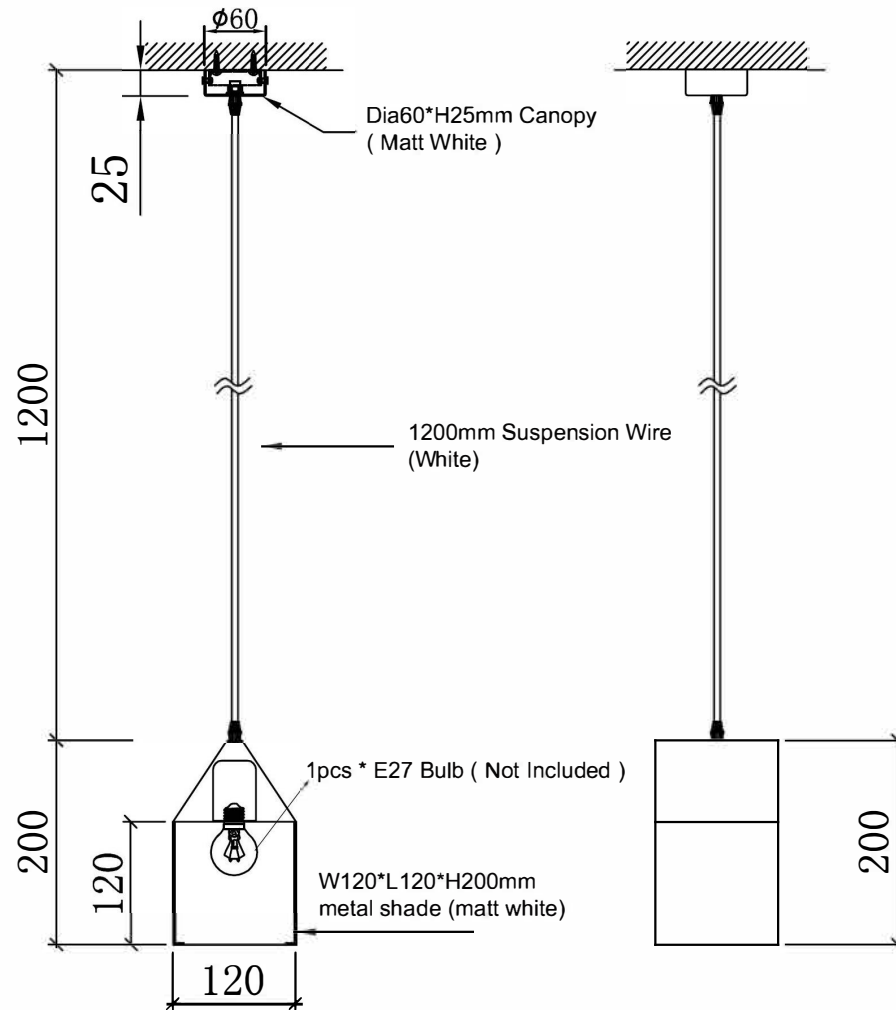
Installation Area:

Customer confirmation:

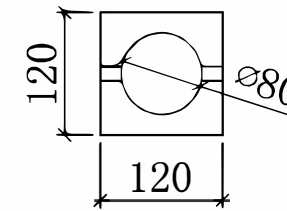
Model No.:	LP2540CM
Fixture Type:	Pendant Light
Dimension:	D250*H400mm
Finishing:	
Weight:	
Quantity:	
Light Source:	E27 Bulb
Standard:	CE

Drawn by:	
Checked by:	
Proportion:	
Date:	

Length Unit: MM	
--------------------	--



Front view



Top view



Reference photo

Version	Revision date
1	---
2	
3	
4	

Project Name:

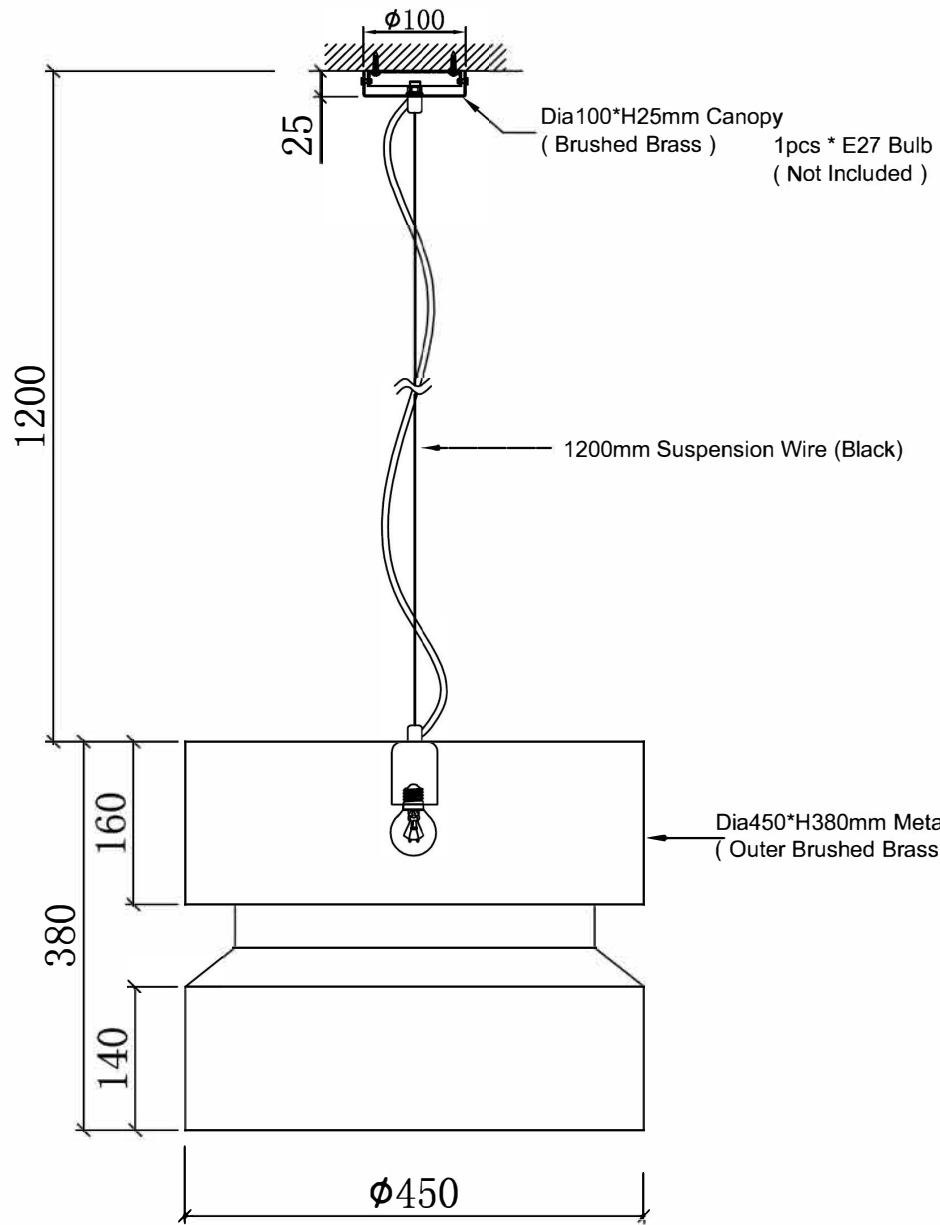
Installation Area:

Customer confirmation:

Model No.:	LP121220MB
Fixture Type:	Pendant Light
Dimension:	W120*L120*H200
Finishing:	
Weight:	
Quantity:	
Light Source:	E27
Bulb Standard:	CE

Drawn by:	
Checked by:	
Proportion:	
Date:	

Length Unit:	MM
--------------	----



Front view

Top view



Reference photo

Version	Revision date
1	---
2	
3	
4	

Project Name:

Installation Area:

Customer confirmation:

Model No.:	LP6050MB
Fixture Type:	Pendant Light
Dimension:	Dia450*H380mm
Finishing:	
Weight:	
Quantity:	3 pcs
Light Source:	E27 Bulbs
Standard:	CE

Drawn by:

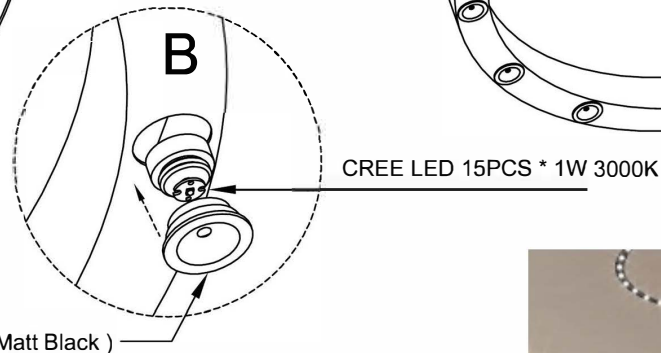
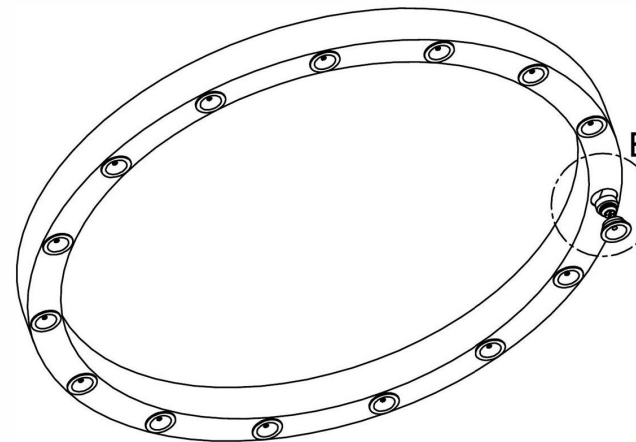
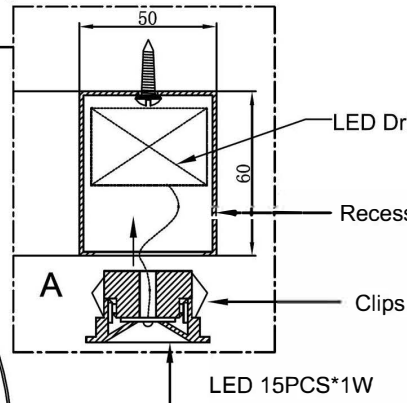
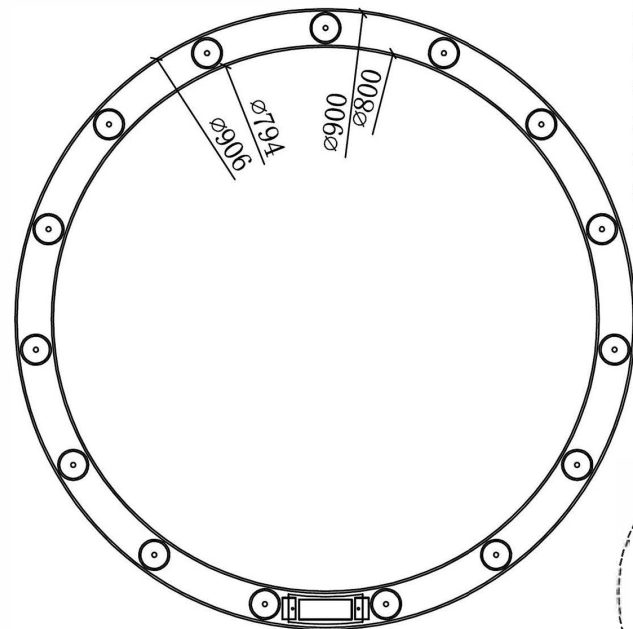
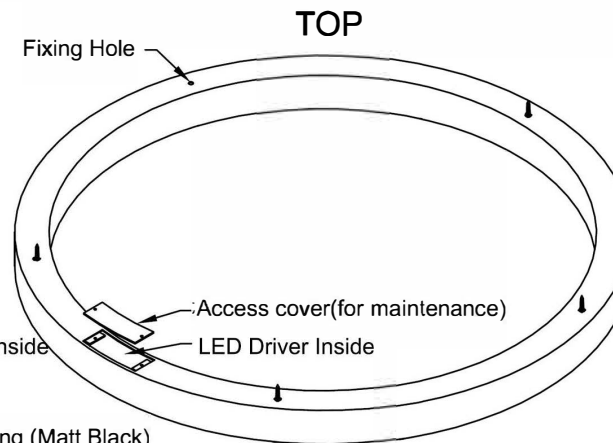
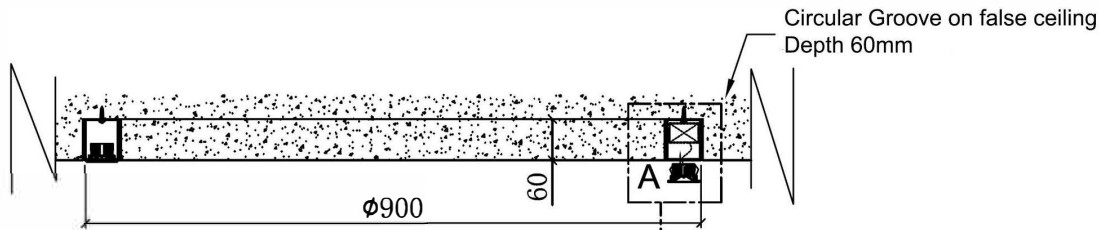
Checked by:

Proportion:

Date:

Length Unit:
MM





Reference photo

Production standard: LP7000.10-2002, LP700.11-2002, LP7000.1-2002

Version	Revision date
1	---
2	
3	
4	

Project Name:

Installation Area:

Customer confirmation:

Model No.:	LPCR900MB
Fixture Type:	Recessed light
Dimension:	Dia 900 mm
Finishing:	
Weight:	
Quantity:	
Light Source:	Built-in LED
Standard:	CE

Drawn by:	
Checked by:	
Proportion:	
Date:	

Length Unit: MM	
--------------------	--

Version	Revision date
1	---
2	
3	
4	

Project Name:

Installation Area:

Customer confirmation:

Model No.:	LPF21095MB
Fixture Type:	Floor Light
Dimension:	Dia650*H2228mm
Finishing:	
Weight:	
Quantity:	
Light Source:	E27 Bulbs
Standard:	CE

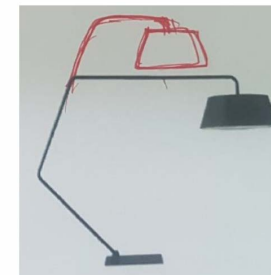
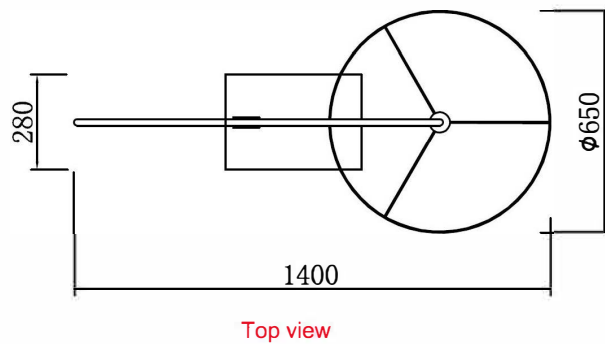
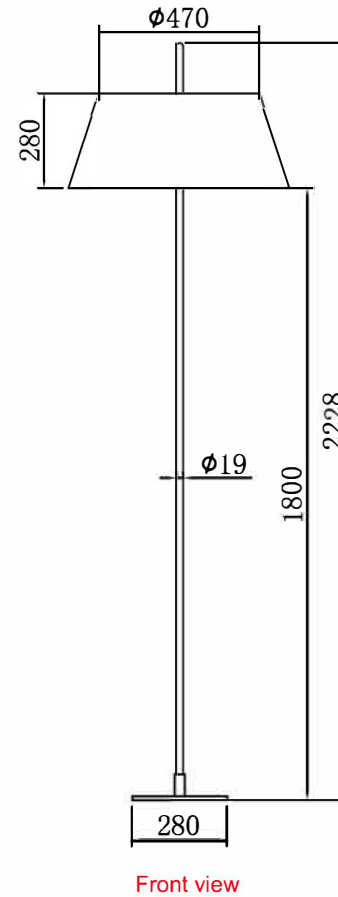
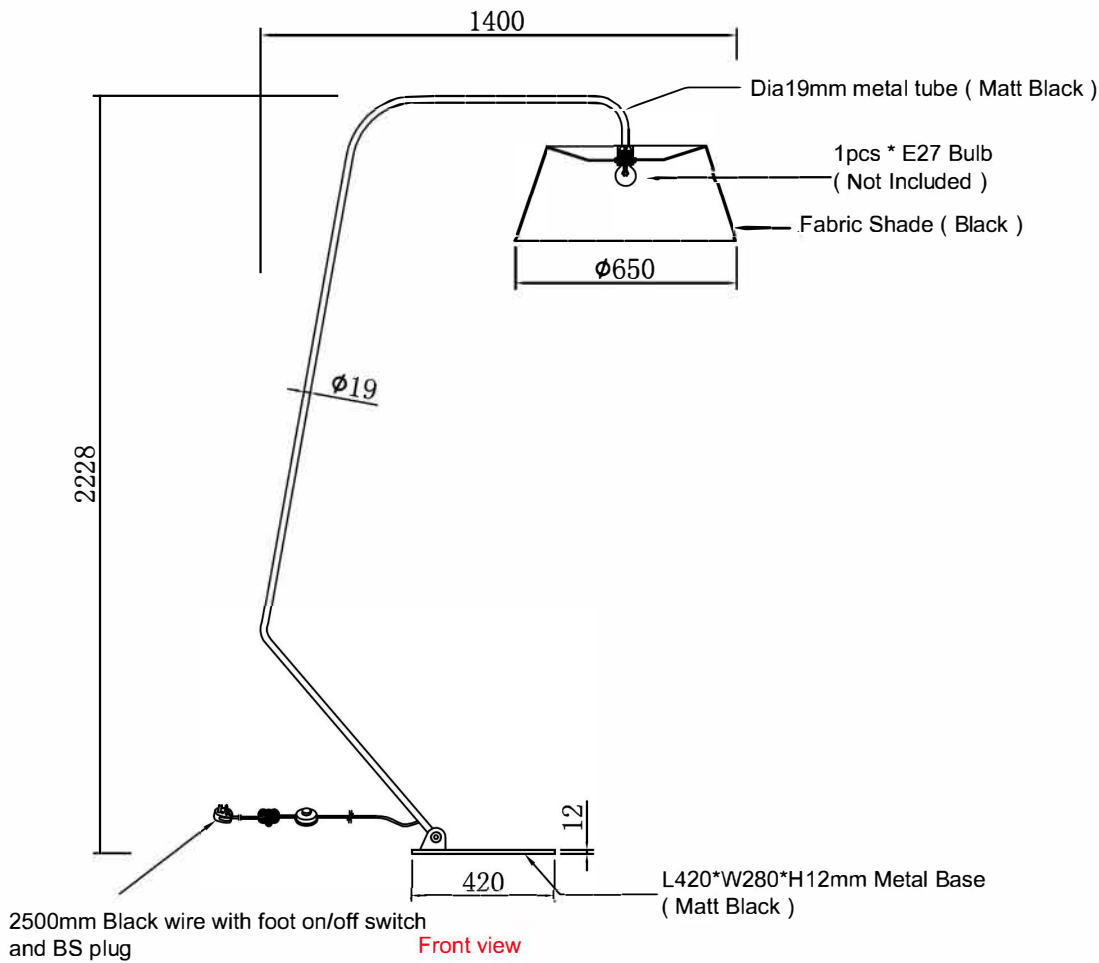
Drawn by:

Checked by:

Proportion:

Date:

Length Unit:
MM

Reference photo