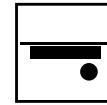


TRACK/SURFACE SPOT DOWNLIGHT

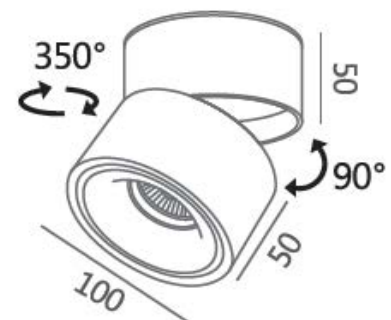
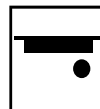
Lumeplus designs is intended to create a Wow factor with powerful lighting solution. A second look puts everything in perspective design of the combination with various base results in a highly functional luminaire of required heights its possibility to serve both as a straightforward downlight or as an directional spotlight, semi-recessed clip version or mounted into profiles, all you get to see is its able to rotate through the room up to 350° and tilt up to 90° thanks to the hinge designs .



| PRODUCT OPTIONS | |
|--------------------|--|
| Model | LPS-T0101 |
| Power : | 12W/15W |
| LED | CREE COB |
| CRL | RA85 |
| Color Temp | 3000K/4000K/6000K |
| Finish: | Matt Black, White |
| Lamp Luminous Flux | 1100lm/1350lm |
| Beam Angle | 23° 38° 45° 60° |
| IP Rating: | IP20 |
| Material | Aluminum Die Cast |
| Reflector & LENS | Deep concentric PMMA light lens anti Glare design |
| Driver: | Fixed Output, Triac/0-10V/Dali |
| Optional Extras: | Anti-glare Lens |

SURFACE SPOT TILT ROTATE

Lumeplus designs surface mounted downlight is designed with adjustment up to 90 deg tilt and 350 deg rotation. This 15W surface downlight is excellent for church ceilings, open pitched domestic ceilings, galleries or shopping centers. What's more, it can be customized as a track light for more flexible installation downlight or as an directional spotlight, semi-recessed clip version or mounted into profiles, thanks to the hinge designs.



| PRODUCT OPTIONS | |
|--------------------|--|
| Model | LPS-RY2020 |
| Power : | 12W/15W |
| LED | CREE COB |
| CRL | RA85 |
| Color Temp | 3000K/4000K/6000K |
| Finish: | Matt Black, White |
| Lamp Luminous Flux | 1100lm/1350lm |
| Beam Angle | 23° 38° 45° 60° |
| IP Rating: | IP20 |
| Material | Aluminum Die Cast |
| Reflector & LENS | Deep concentric PMMA light lens |
| Driver: | application. Fixed Output, Triac/0-10V/Dali |
| Optional Extras: | Anti-glare Lens |