

Non Magnetic Linear / The Magnetic look without Magnets

Linear diffused light from 300mm customized to 1000mm

DESIGN BY Lumeplus

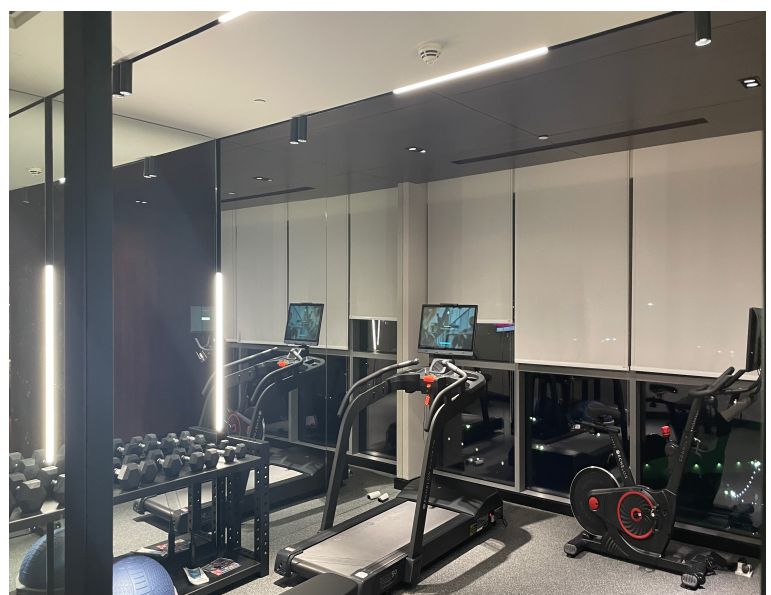
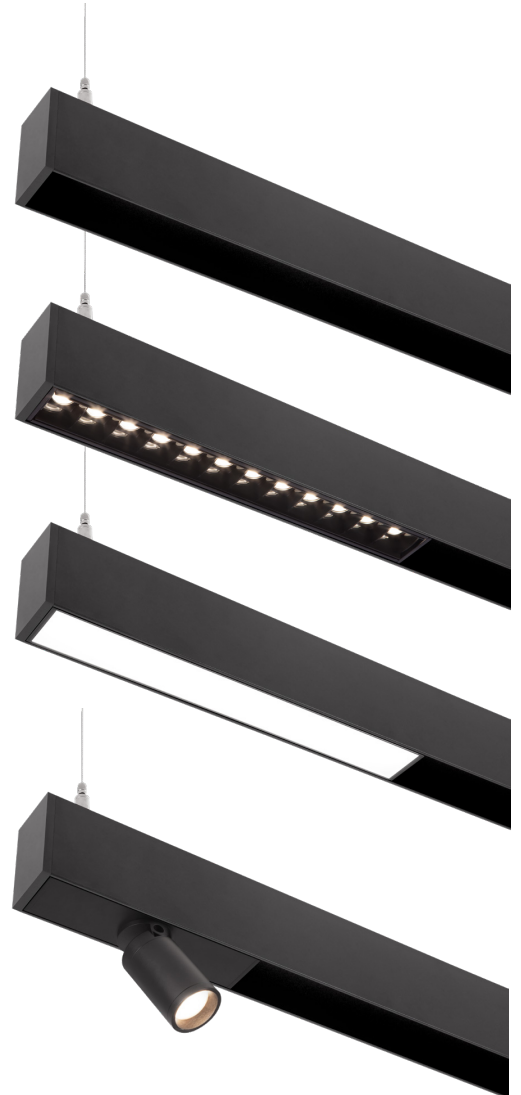
Non Magnetic Linear Diffused / Dot Series /Spot Track

The Non-Magnetic Linear apart from is its unique composition, by utilizing advanced materials and manufacturing techniques, this revolutionary product mimics the magnetic look without relying on magnets. This opens up a whole new realm of possibilities in terms of design, functionality, and versatility. One of the key advantages of the Non-Magnetic Linear is its superior design flexibility. Unlike traditional magnetic solutions, it can be seamlessly integrated into various applications, including architecture, interior design. This enables designers to push boundaries and create aesthetically pleasing products without compromising on performance.

Additionally, the Non-Magnetic Linear is remarkably lightweight compared to its magnetic counterparts. This not only enhances the overall user experience but also allows for easier installation and reduced shipping costs. Furthermore, its non-magnetic nature eliminates the need for shielding, simplifying the design and manufacturing process.

Safety is of utmost importance, and the Non-Magnetic Linear prioritizes this aspect. Unlike magnets which generates magnetic fields that may interfere with sensitive equipment or cause harm to individuals with medical implants, this alternative is completely safe to use. It eliminates potential hazards associated with strong magnetic fields, ensuring peace of mind for both manufacturers and end-users.

Whether you are an architect seeking to create a magnetic aesthetic in your building design or a product designer aiming to enhance the visual appeal of your next invention, the Non-Magnetic Linear offers a revolutionary solution. With its magnetic look without the use of magnets, it presents endless possibilities for design innovation while maintaining safety and functionality. Welcome to the era of the Non-Magnetic Linear—a gateway to a magnetic aesthetic without compromise. Embrace the future of design with this game-changing alternative. Get in touch with us today to explore the endless possibilities this innovative solution has to offer.



Non Magnetic Linear Diffuse / The Magnetic look without Magnets

LINE 32 / 64 / 96 LED Diffuse module

LPFL3455-32/64/96 DESIGN BY Lumeplus



IP20



The best concept of diffused linear flush non magnetic LED module LINE96 is a module that provides general lighting. This module is suitable for application areas such as Retail stores, offices and living areas. The LINE96 is made of durable aluminum and powder-coated. These modules are available in the colors white and black. In addition, this module is also available in longer dimensions for even more lighting in longer lines. Configure the LINE system according to your own wishes. You may choose the dimming method with External dimming interface

Article Code: Diffuse series

Color: Black/White

CCT: 2700K/3000K/4000K CRI: RA90

LED: OSRAM

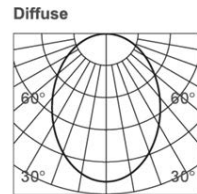
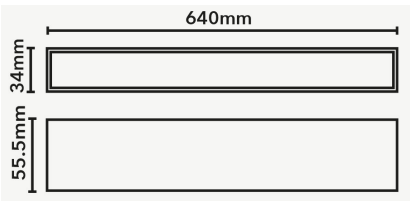
DIM: Triac, 0/1-10V, Dali

Installation: Non Magnetic

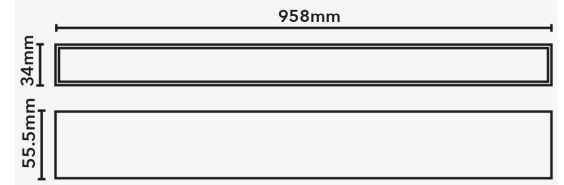
Environment: Indoor

Beam angle: 12/34/48

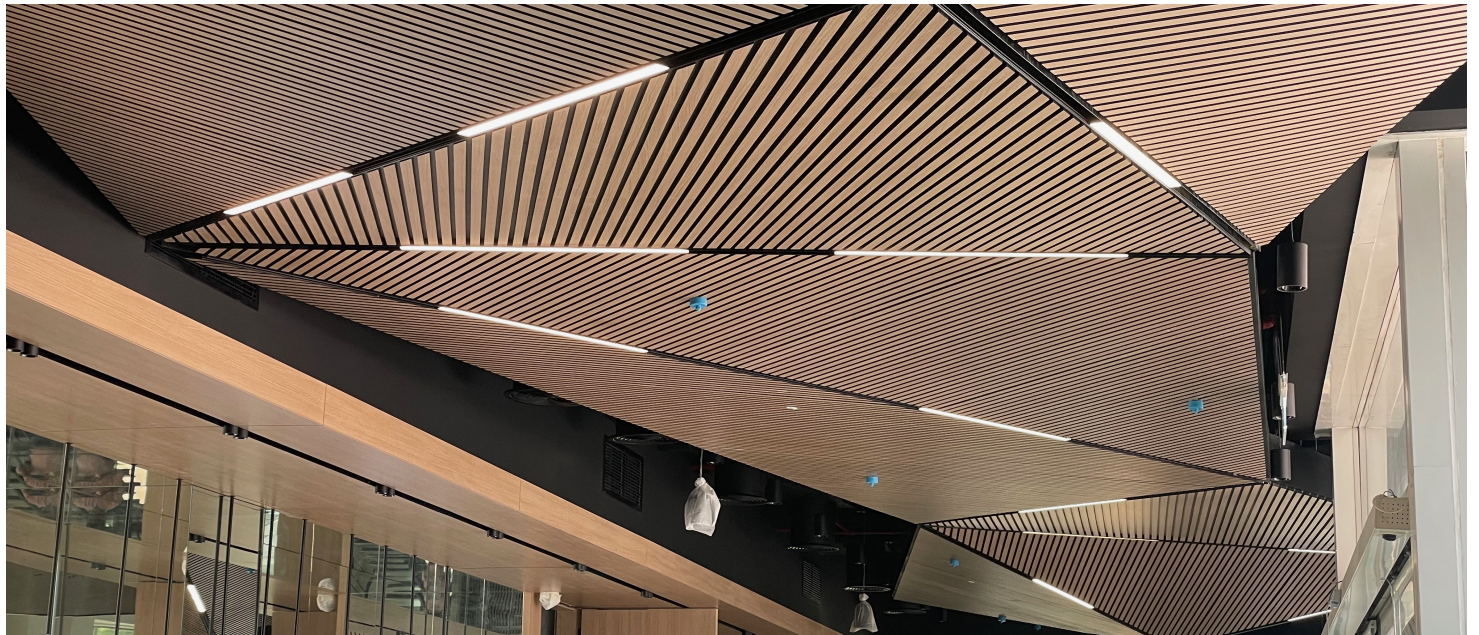
Make Lumeplus Art No: LPFL3455-32/64/96



h(m)	E(lx)	Φ(m)
1	189	Φ2.35
2	47	Φ4.71
3	21	Φ7.07
4	11	Φ9.43
5	7	Φ11.78



Model	Power(w)	Size(mm)	LuminousFlux(Lm)
Flush32	15W	322*34*56	1435Lm
Flush64	30W	640*34*56	2870Lm
Flush97	45W	958*34*56	4305Lm



Non Magnetic Spot / The Magnetic look without Magnets

Track Spot 50

LPTL515 DESIGN BY Lumeplus

Powered BY

TRIDONIC **OSRAM** **NICHIA** **EUCHIPS**



Non magnetic track- SPOT50 - black

Spot50 provides a sleek and sophisticated look to complement modern settings designed specifically for installation in a non-magnetic track, offering a flexible lighting solution. Thanks to its easy-to-use mini screws. Once connected the spot allows for adjustable accent and vertical lighting. This module measures 50 mm x 140 mm and delivers a robust amount of light. Its 360° rotation capability makes it highly versatile for different applications.



Made from aluminum with a powder coating, this spotlight is available in black, white, and gold finishes, allowing for seamless integration into any space. For added convenience, you have the option to choose the dimming with an external dimming interface, providing you with control over the light intensity.

Article Code: Spot50 series

Color: Black/White

CCT: 2700K/3000K/4000K

CRI: RA90

LED: OSRAM

DIM: Triac,0/1-10V,Dali

Installation: Non Magnetic

Environment: Indoor

Beam angle: 14/24/36D

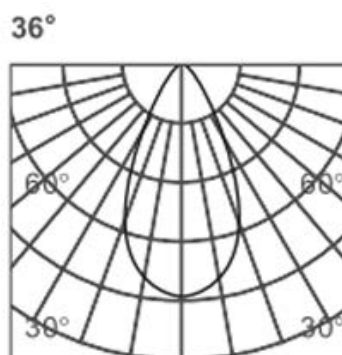
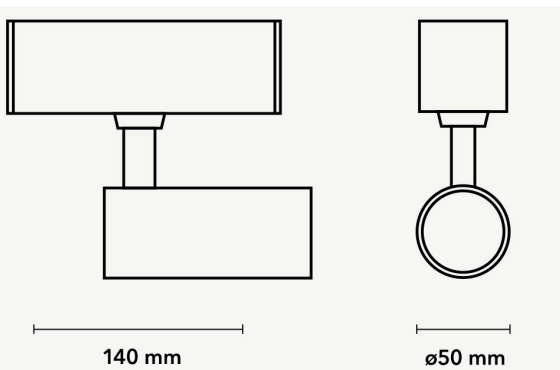
Make Lumeplus Art No:LPTL515



AVAILABLE MODELS

Model	Power(w)	Size(mm)	LuminiousFlux(Lm)
Spot32	7W	50 *140	600Lm
Spot64	10W	70 *160	900Lm

TECHNICAL DRAWINGS



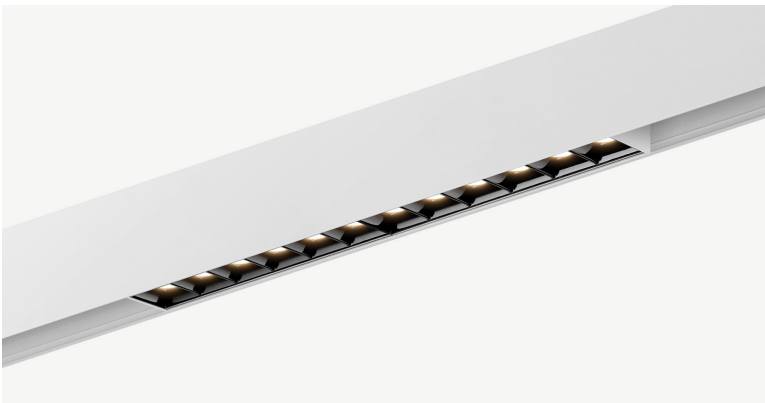
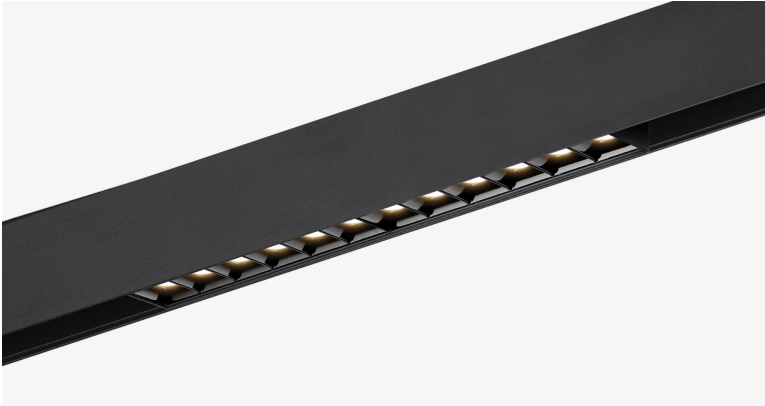
h(m)	E(lx)	Φ(m)
1	2154	Φ0.64
2	538	Φ1.28
3	239	Φ1.92
4	134	Φ2.56
5	86	Φ3.21

Non Magnetic Dot series / The Magnetic look without

Magnets Dot series LPDT3456

DESIGN BY Lumeplus

Powered BY



IP20



The best present for the concept of invisible source Comfortable lighting without glare Modulo is a non magnetic, LED track system in extruded aluminum with a range of versatile fittings available. The track is available in various lengths and can be interconnected via a connecting plate to form a recessed, surface mounted or pendant system. The power supply is remote, low glare linear Modulo fitting available in three sizes and wattages. Minimal glare and multiple light beams elegant body coating and antiglare reflector .External dimming interface

Article Code:DOT series

Color: Black/White

CCT: 2700K/3000K/4000K CRI: RA90

LED: OSRAM DIM: Triac,0/1-10V,Dali Installation:

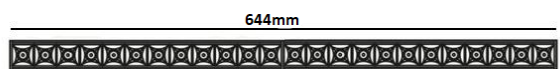
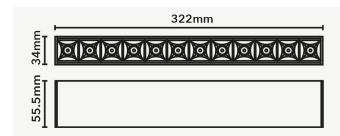
Non Magnetic

Environment: Indoor

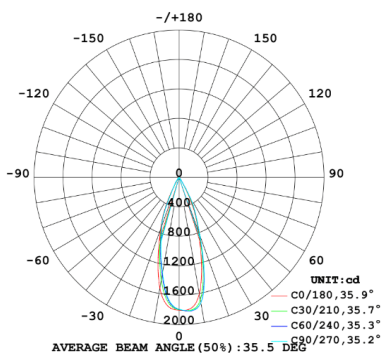
Beam angle: 12/34/48

Make Lumeplus Art No:LPDT3456

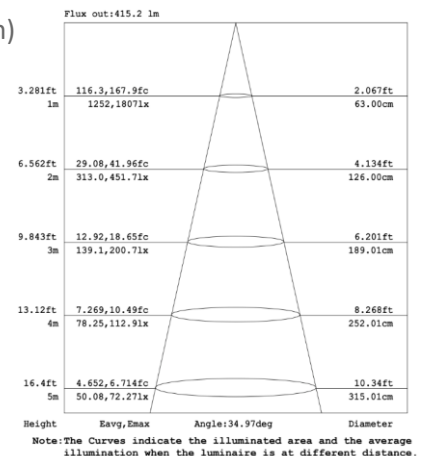
AVAILABLE MODELS



LUMINOUS INTENSITY DISTRIBUTION DIAGRAM



Item	Power(w)	Size(mm)	Luminous Flux(Lm)
Dot32	16W	322*34*56	1435Lm
Dot64	32W	644*34*56	2870Lm
Dot97	48W	966*34*56	4305Lm

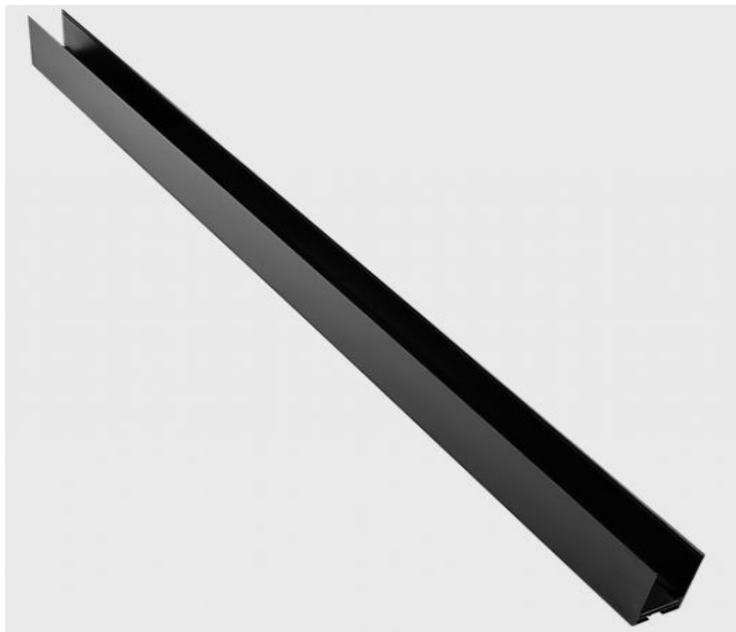


Non Magnetic Track

Track Profile

LPTP3976

DESIGN BY Lumeplus



IP20



DESCRIPTION

The integration of Non Magnetic track systems goes beyond its functional purpose. By incorporating different types of possibilities for creating unique lighting configurations with modern aesthetics become boundless. The geometric potential of these systems allows for endless variations and artistic expressions.

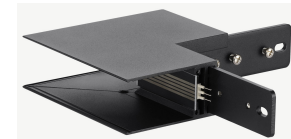
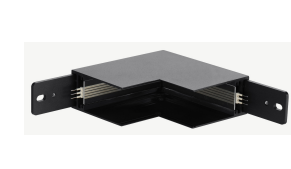
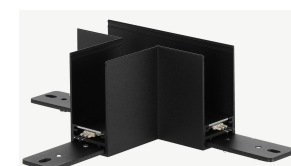
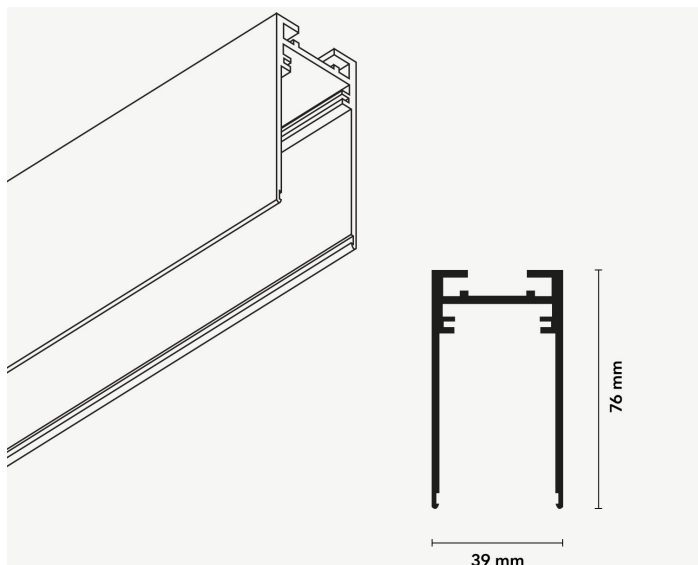
With the use of carefully designed corners, track rail systems can seamlessly navigate architectural spaces, adapting to any layout or configuration.

The ability to effortlessly turn corners ensures a fluidity in design that enhances the overall ambiance and functionality of the space. A sense of elegance and sophistication to the lighting design. The aesthetic possibilities are endless. Empowering architects and designers to create dynamic lighting displays, highlighting architectural elements, or setting specific moods.

Lumeplus Art No:LPDT3456

Article Code	Material	Color	Environment	Material
LPDT3456		White/Black	Indoor	Aluminum
Track Profile				
1000*39*76				
2000*39*76				
3000*39*76				
			Installation	
			surface/pendant/recessed	

TECHNICAL DRAWINGS



ACCESSORIES