



Inground Light LP-IG150134

Dimension: $\varnothing 150\text{mm} \times \text{H}76\text{mm}$ (IP68: H: 65); Cutout: $\varnothing 134 \times 110\text{mm}$

Input Voltage: IP68-24/12VDC; IP67: 24VDC/110-240VAC (43-60Hz)

Power consumption: Series (6W-12W)

Luminous Flux: 1320 Lm at 12W 3000K, 24VDC, CRI>80

Brand of LEDs: LED CREE

Color: 3000K - CRI: > 80 (Single Color; RGB; RGBW)

Beam Angle: 24° (orther angle please contact us)

Function Dimmer: Option

Material: Body: IP67-Body: Aluminium Anode ; Face: Inox316

IP68- Full Stainless 316

Finishing (Color housing): Stainless

IP Class: 67 for Inground; 68 for In water

Class: III for IP68; I for IP67

LED lifetime: 50.000hrs

Lens: Clear

Cellular Sand: Material PMMA with UV protection Standards:

+EMC protection,+IEC 62031 LED modules for general lighting

Safety specifications, +IEC 60598 Luminaires – Parts 1+2:

General requirements particular requirement sand tests

Control Gear Fairchild Technology

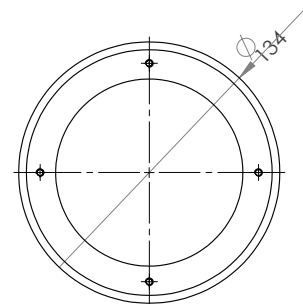
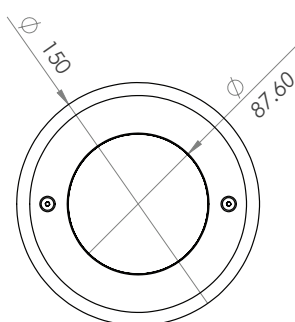
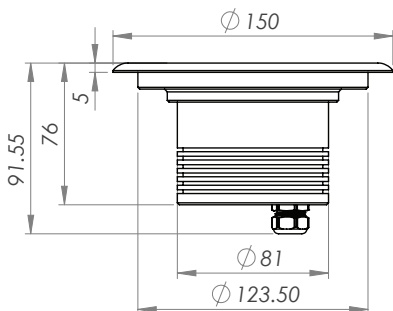
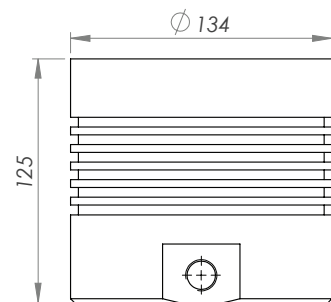
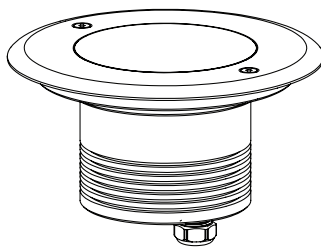
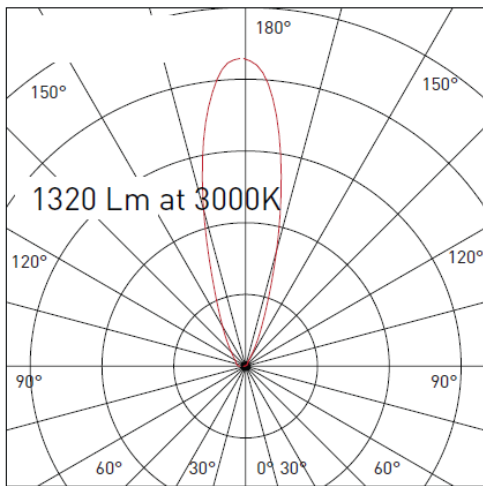
LED Module High-power LEDs on metal-core PCB. Collimating

lens made of optical polymer/pmma

Anti-Glare Option

Electrical Protection EMC, inrush current

Electrical Class 3



Recessed Box

LP-IGB9



Inground Light LP-IGB9

Dimension: 155mm x 155mm x 126

Input Voltage: 24VDC/110-240VAC (43-60Hz)

Power consumption: Series (9W-18W)

Luminous Flux: 890 Lm at 9W 3000K, 24VDC, CRI>80

Brand of LEDs: LED CREE

Color: 3000K - CRI: > 80 (Single Color; RGB; RGBW)

Beam Angle: 24° (orther angle please contact us)

Function Dimmer: Option

Material: Body: IP67-Body: Aluminium Anode ; Face: Inox316

IP68- Full Stainless 316

Finishing (Color housing): Stainless

IP Class: 67 for Inground; 68 for Inwater

Class: III for IP68; I for IP67

LED lifetime: 50.000hrs

Lens: Clear Cellular Sand:

Material PMMA with UV protection

Standards: +EMC protection,+IEC 62031 LED modules for general lighting Safety specifications, +IEC 60598 Luminaires

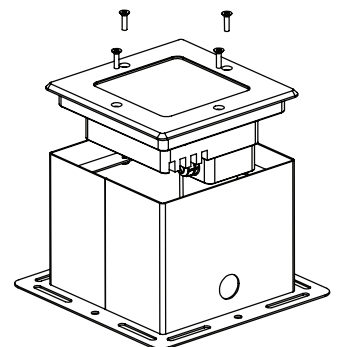
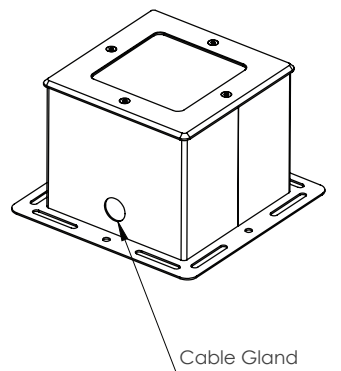
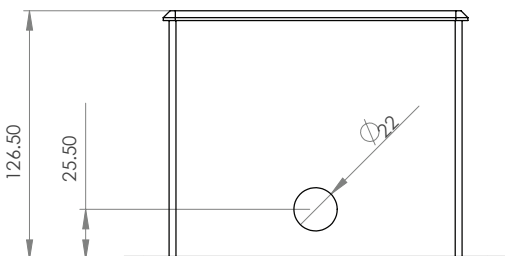
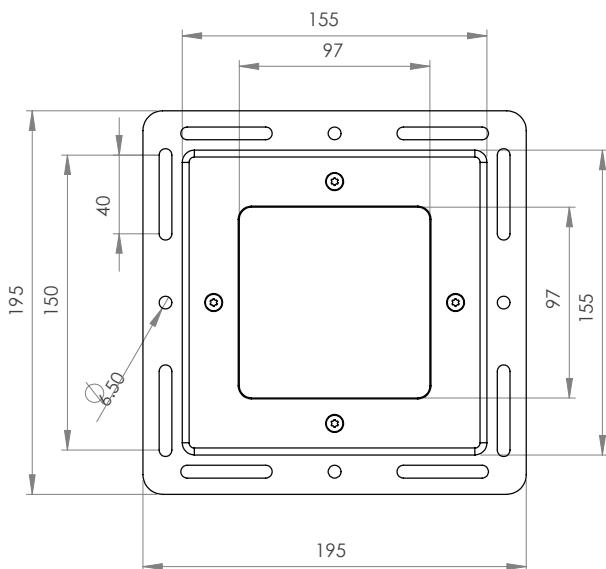
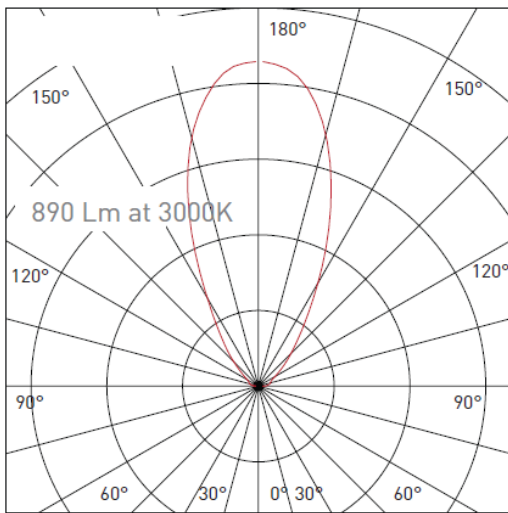
– Parts 1+2: General requirements particular requirement sand tests Control Gear Fairchild Technology

LED Module High-power LEDs on metal-core PCB. Collimating lens made of optical polymer/pmma

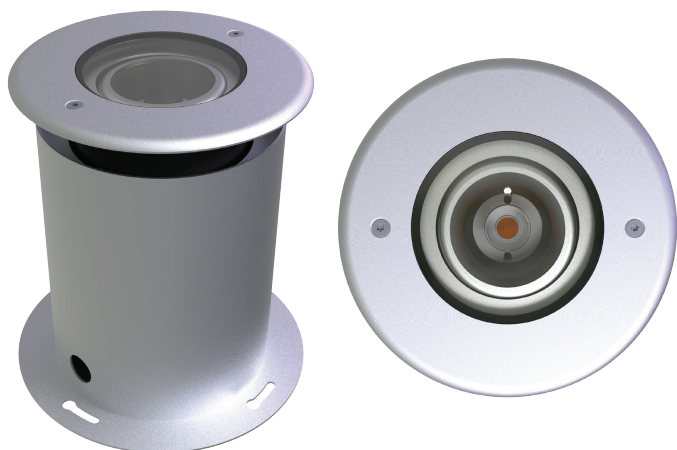
Anti-Glare Option

Electrical Protection EMC, inrush current

Electrical Class 3

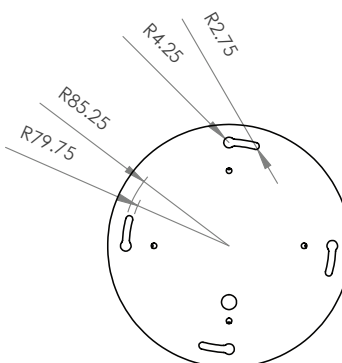
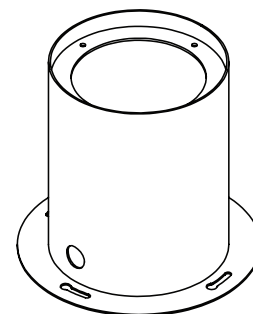
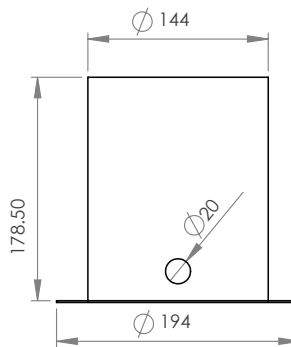
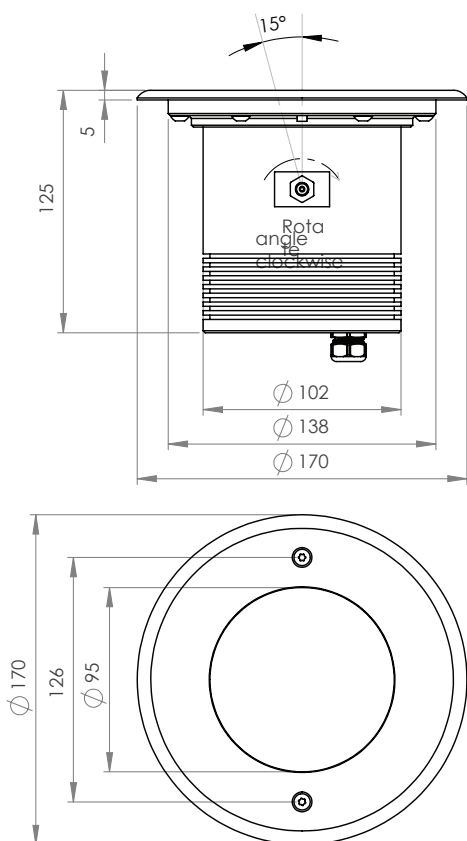
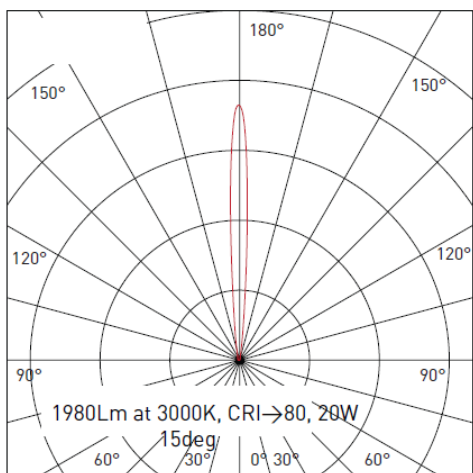


LP-IGFK-170



Inground Light LP-IGFK-170

Dimension: $\varnothing 170 \times 125 \text{mm}$, Cutout: $\varnothing 233 \times 170 \text{mm}$
 Input Voltage: 24VDC / 110-240VAC(43-60Hz)
 Power consumption: Series L (20W, 30W)
 Luminous Flux: 1980Lm for 24VDC at 20W, 3000K, 15deg
 Brand of LEDs: LED CREE
 Color: 3000K; CRI > 90, (Orther color: 2700 - 6000K)
 Beam Angle: 15°(15°, 24°, 36°, 45°)
 Function Dimmer: Option
 Material: IP67-Body: Aluminium Anode ; Face: Stainless 316
 Finishing (Color housing): Stainless
 Class: III
 LED lifetime: 50.000hrs
 Lens: Clear Cellular Sand:
 Material PMMA with UV protection
 Standards: +EMC protection, +IEC 62031 LED modules for general lighting Safety specifications, +IEC 60598 Luminaires – Parts 1+2: General requirements particular requirement sand tests Control Gear Fairchild Technology
 LED Module High-power LEDs on metal-core PCB. Collimating lens made of optical polymer/pmma
 Anti-Glare Option
 Electrical Protection EMC, inrush current
 Electrical Class 3



Recessed Box

LP-IGG91215

Inground Light LP-IGG91215

Dimension: Ø278, 260, 245mm x H43mm;

Input Voltage: 24VDC

Power consumption: Series

Luminous Flux: 3010Lm at 4000K, 34W, 36°

Brand of LEDs: LED CREE

Color: Warm White, Blue Roya, RGB

Beam Angle: 5°,10°,15°,24°, 36°,45°,60°, 90°

Function Dimmer: PWM on Power

Material: SS316L

Finishing (Color housing): Stainless

IP Class: 68

Electrical Class: III

Cable Length: 5 Metter

LED lifetime: 50.000hrs

Lens: Clear Cellular Sand:

Material PMMA with UV protection

Standards: +EMC protection, +IEC 62031 LED modules for general lighting Safety specifications, +IEC 60598 Luminaires –

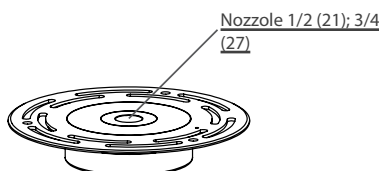
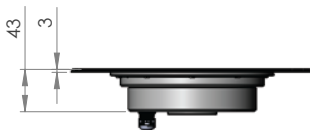
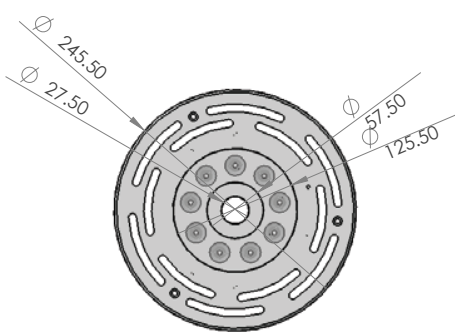
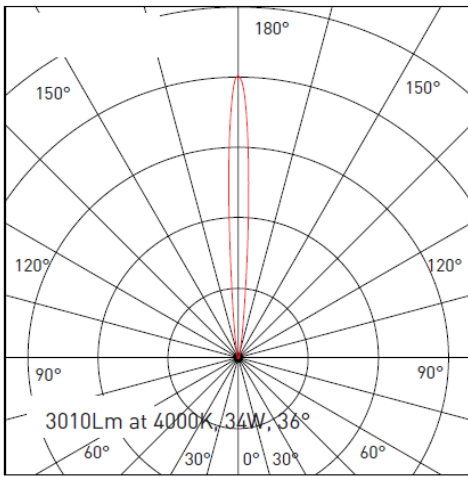
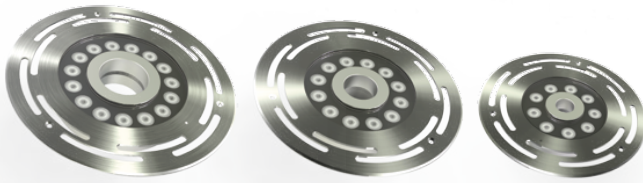
Parts 1+2: General requirements particular requirement sand tests Control Gear Fairchild Technology

LED Module High-power LEDs on metal-core PCB. Collimating lens made of optical polymer/pmma

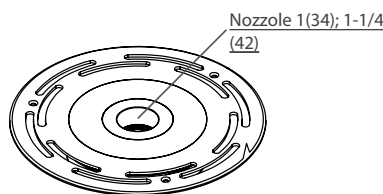
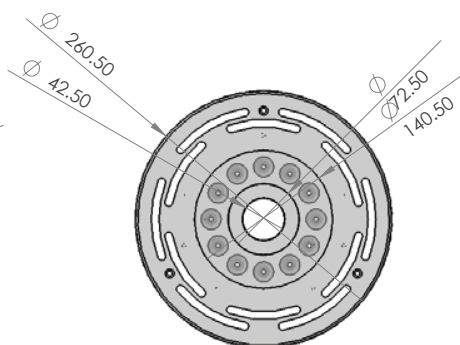
Anti-Glare Option

Electrical Protection EMC, inrush current

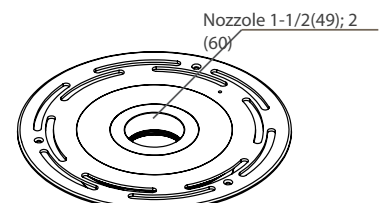
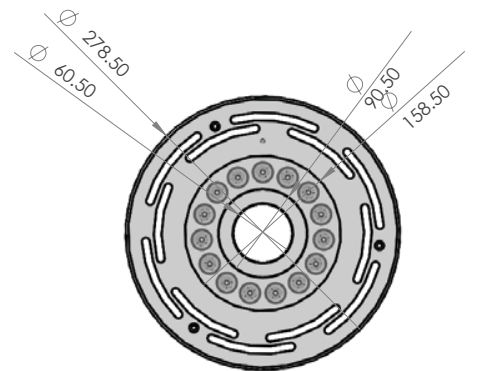
Electrical Class 3



LP-IGG-9



LP-IGG-12



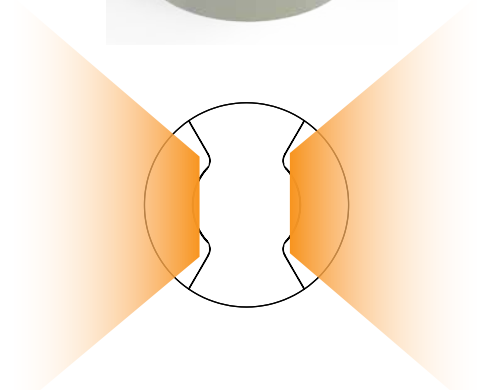
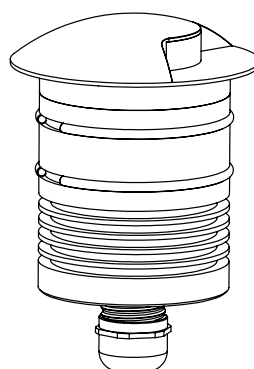
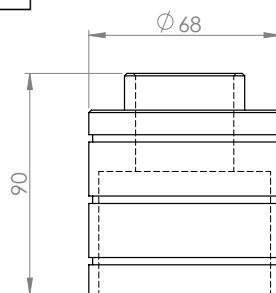
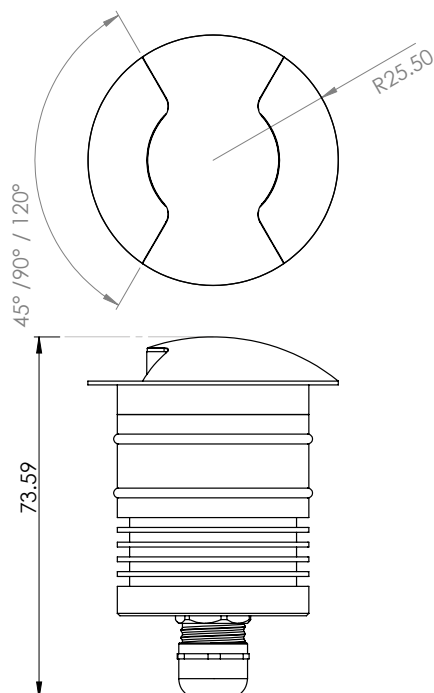
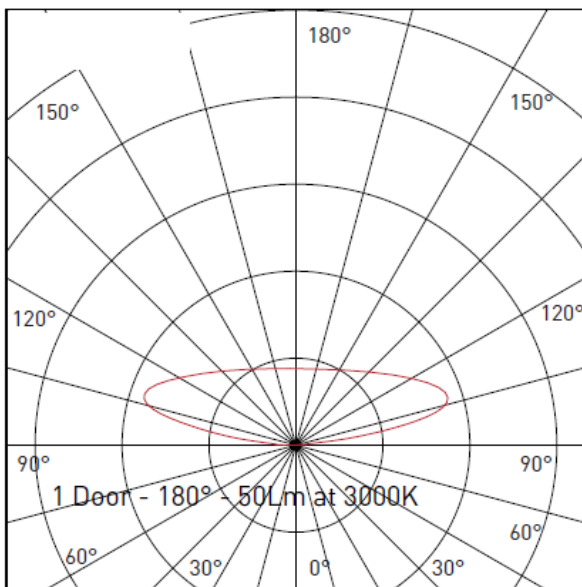
LP-IGG915

LP-IGHS51



Inground Light LP-IGHS51

Dimension: $\varnothing 51\text{mm} \times 65\text{mm}$
 Input Voltage: 12/24VDC
 Power consumption: Max 3W
 Luminous Flux: Series (1Door, 2Doors, 3 Doors, 4Doors)
 Brand of LEDs: LED CREE
 Color: 3000K - CRI: > 90 (Color: 2700 - 6000K, RGB, RGBW)
 Angle: Series (1Door, 2Doors, 3 Doors, 4Doors)
 Function Dimmer: PWM on Power
 Material: IP67 (Body: Aluminum ; Face: Stainless 316)
 IP68 (Full Stainless 316)
 Finishing (Color housing): Stainless
 IP Class: 67 for Inground; 68 for Inwater
 Electrical Class: III
 Cable Length: 5 Metter
 LED lifetime: 50.000hrs
 Lens: Clear Cellular Sand:
 Material PMMA with UV protection
 Standards: +EMC protection,+IEC 62031 LED modules for general lighting Safety specifications, +IEC 60598 Luminaires
 – Parts 1+2: General requirements particular requirement sand tests Control Gear Fairchild Technology
 LED Module High-power LEDs on metal-core PCB. Collimating lens made of optical polymer/pmma
 Anti-Glare Option
 Electrical Protection EMC, inrush current
 Electrical Class 3

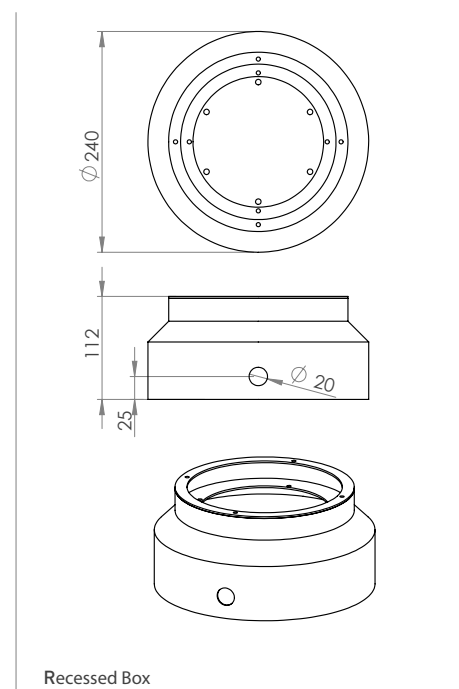
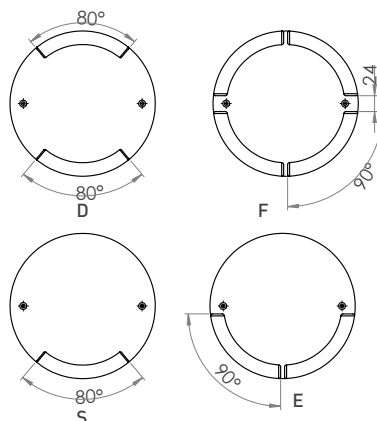
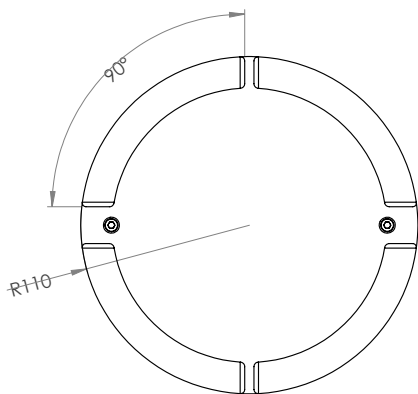
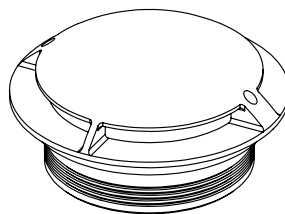
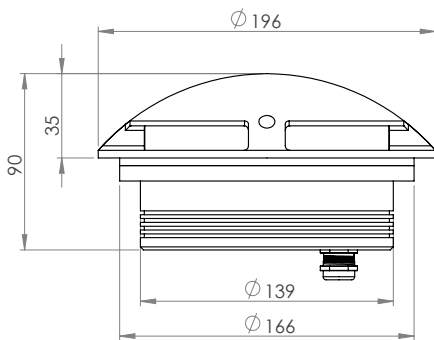
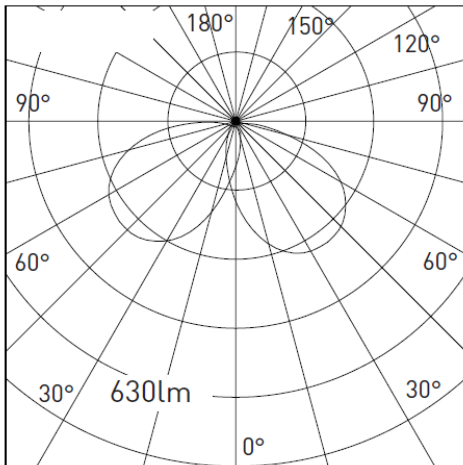


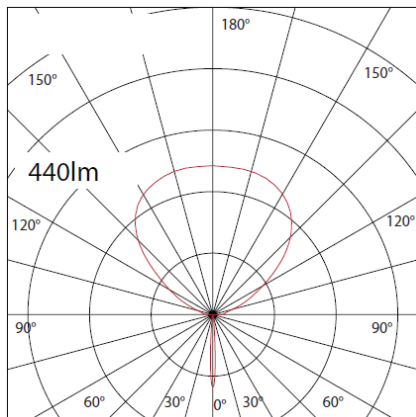
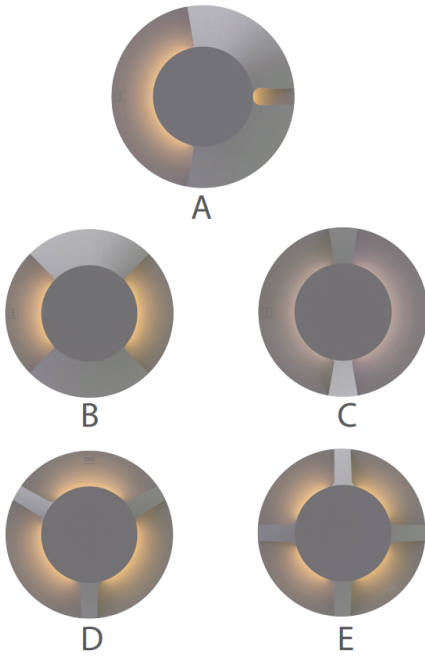
LP-IGMS196



Inground Light LP-IGMS196

Dimension: $\varnothing 196 \times 90\text{mm}$; Cutout: $\varnothing 240 \text{ mm}$
 Input Voltage: 24VDC/110-240VAC (43-60Hz)
 Power consumption: Series (8W; 15W; 20W)
 Luminous Flux: 780Lm at 4 Doors 3000K, 15W
 Brand of LEDs: LED CREE
 Color: 3000K- CRI: >80 (Red, Green, Blue, 2200-6000K)
 Beam Angle: Special
 Function: None
 Material: Aluminium
 Finishing (Color housing): Anodizing
 IP Class: 67
 IK Class: 10
 Class: III for 24VDC, I for 110-240VAC
 Cable Length: 5 Metter
 LED lifetime: 50.000hrs
 Lens: Clear Cellular Sand:
 Material PMMA with UV protection
 Standards: +EMC protection, +IEC 62031 LED modules for general lighting Safety specifications, +IEC 60598 Luminaires – Parts 1+2: General requirements particular requirement sand tests Control Gear Fairchild Technology LED Module High-power LEDs on metal-core PCB. Collimating lens made of optical polymer/pmma
 Anti-Glare Option
 Electrical Protection EMC, inrush current
 Electrical Class 3





Inground Light LP-SOCO84

Dimension: $\varnothing 84\text{mm} \times \text{H}78\text{mm}$, Cutout: $\varnothing 68\text{mm} \times \text{H}110\text{m}$

Input Voltage: 24VDC

Power Consumption: 6W

Luminous Flux: 440Lm at 3000K model E

Brand of LED: LED CREE

Color: 3000K, CRI > 80(2200K-6000K; RGB, RGBW)

Angle: Special Light

Function: PWM on Power

Material: Body: Aluminium

Housing Color: Anode Topology

IP Class: 67

Electrical Class: III

LED lifetime: 50.000hrs

Lens: Clear Cellular Sand:

Material PMMA with UV protection

Standards: +EMC protection, +IEC 62031 LED modules for general lighting Safety specifications, +IEC 60598 Luminaires

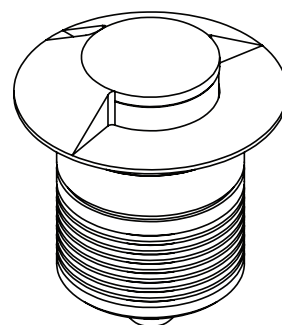
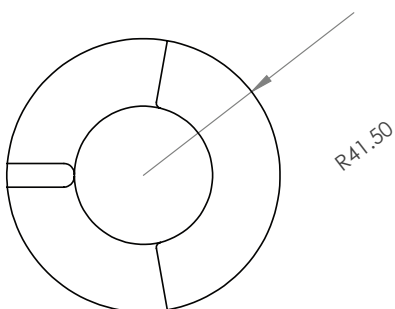
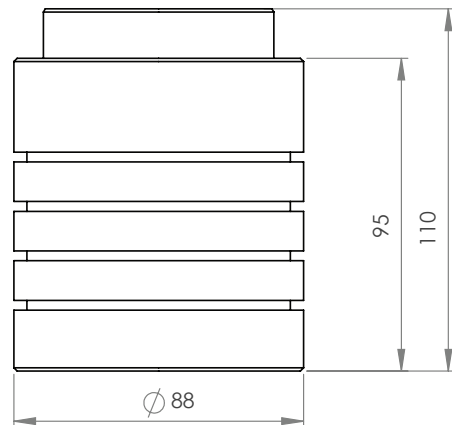
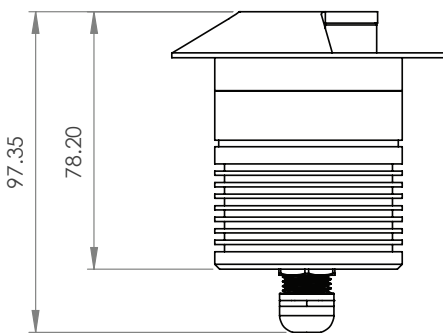
– Parts 1+2: General requirements particular requirement sand tests Control Gear Fairchild Technology

LED Module High-power LEDs on metal-core PCB. Collimating lens made of optical polymer/pmma

Anti-Glare Option

Electrical Protection EMC, inrush current

Electrical Class 3



LP-LP-TM-6S-1



Inground Light LP-TM-6S-1

Dimension: Ø88mm x H120mm

Input Voltage: 24VDC

Power consumption: 6W Series (Option: 1Door, 2Doors, 3Doors, 4Doors)

Luminous Flux: 140Lm (70x2) at (3000K, CRI>80) – 2 Door

Brand of LEDs: LED CREE

Color: 3000K, CRI>80 (Other color please contact us)

Beam Angle: 2 x 24°

Function Dimmer: Option

Material: Body: Aluminum; Face: Stainless 316

Finishing (Color housing): Stainless

Electrical Class: I

IP Class: 67

IK Class: 10

LED lifetime: 50.000hrs

Lens: Clear Cellular Sand:

Material PMMA with UV protection

Standards: +EMC protection, +IEC 62031 LED modules for general lighting Safety specifications, +IEC 60598 Luminaires – Parts 1+2: General requirements particular requirement sand tests

Control Gear Fairchild Technology

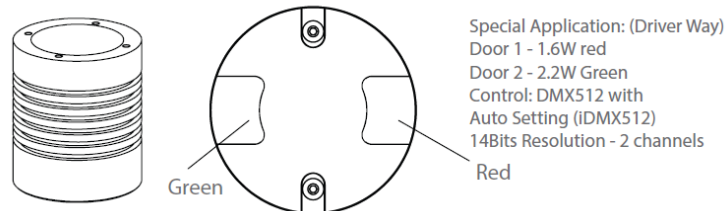
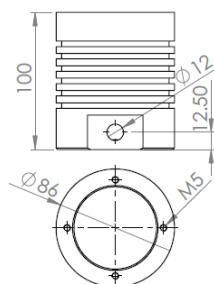
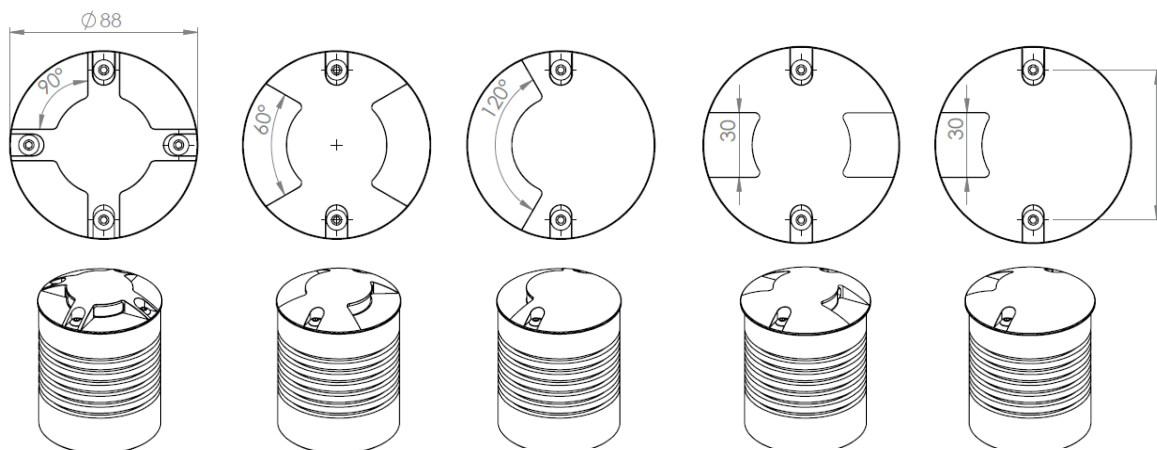
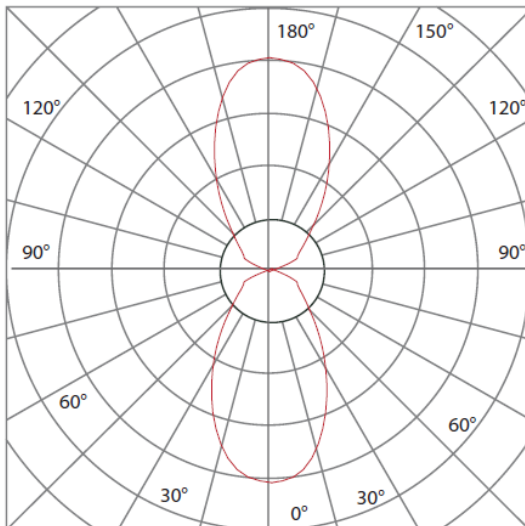
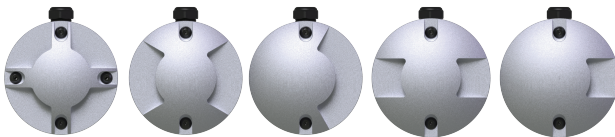
LED Module High-power LEDs on metal-core PCB.

Collimating lens made of optical polymer/pmma

Anti-Glare Option

Electrical Protection EMC, inrush current

Electrical Class 3



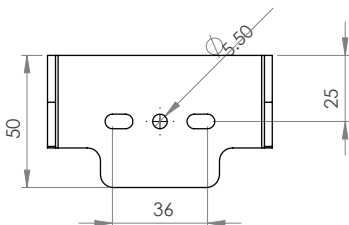
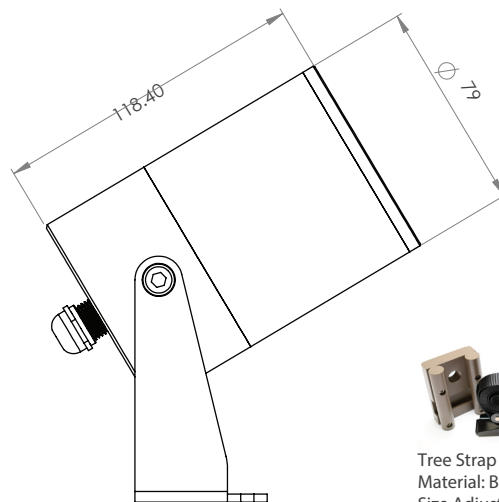
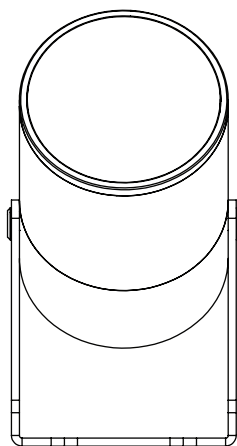
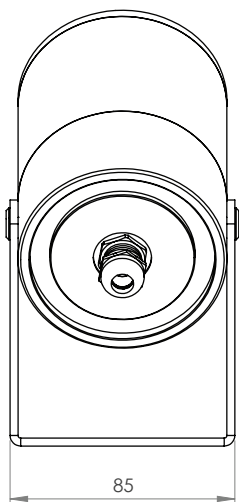
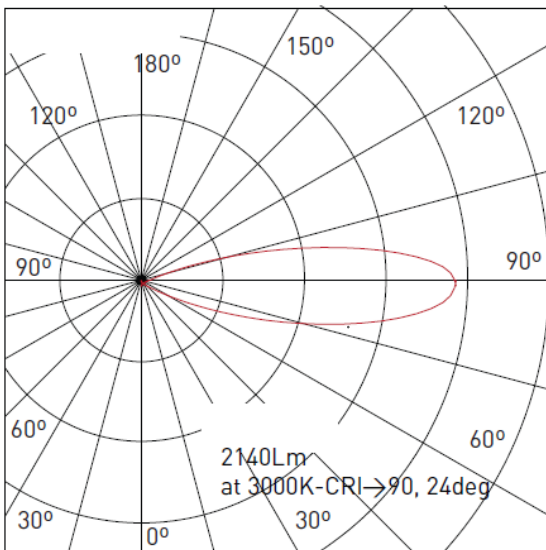
Special Application: (Driver Way)
 Door 1 - 1.6W red
 Door 2 - 2.2W Green
 Control: DMX512 with
 Auto Setting (iDMX512)
 14Bits Resolution - 2 channels

LP-BM7911

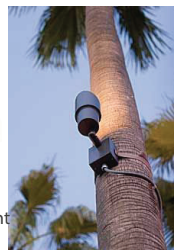


Spot Light LP-BM7911

Dimension: $\varnothing 79$ mm x L118 mm
 Input Voltage: 24VDC /110-240VAC(43-60Hz)
 Power consumption: 15W- 20W
 Luminous Flux: 2140Lm at 20W, 3000K, CRI>90, 24°
 Brand of LEDs: LED CREE
 Color: 3000K - CRI > 80 (Orther color: 2700 - 6000K)
 Beam Angle: 24° (10°, 15°, 24°, 36°, 45°, 60°)
 Function Dimmer: Option
 Material: Aluminium
 Finishing(Color housing): Anodizing Topology
 IP Class: 66
 Electrical Class: I
 LED lifetime: 50.000hrs
 Lens: Clear Cellular Sand:
 Material PMMA with UV protection
 Standards: +EMC protection,+IEC 62031 LED modules for general lighting Safetyspecifications,+IEC 60598 Luminaires – Parts 1+2: General requirements particular requirement sand tests
 Control Gear Fairchild Technology
 LED Module High-power LEDs on metal-core PCB. Collimating lens made of optical polymer/pmma
 Anti-Glare Option
 Electrical Protection EMC, inrush current
 Electrical Class 3



Tree Strap (TM-S n)
 Material: Belt Nylon
 Size Adjust: 300-900mm Light mount
 No: 1pcs



Spike 350
 Size: 350x $\varnothing 20$ mm

 Spike 500
 Size: 500x $\varnothing 20$ mm

 Material: Su304

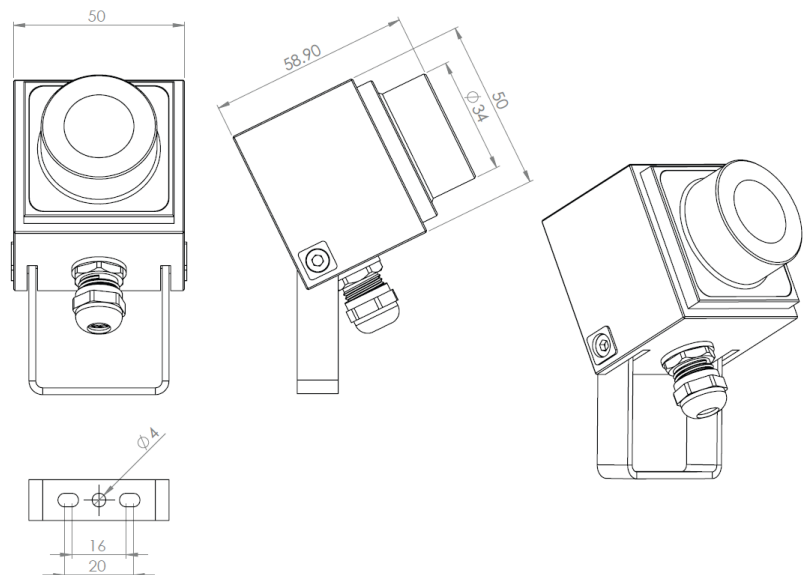
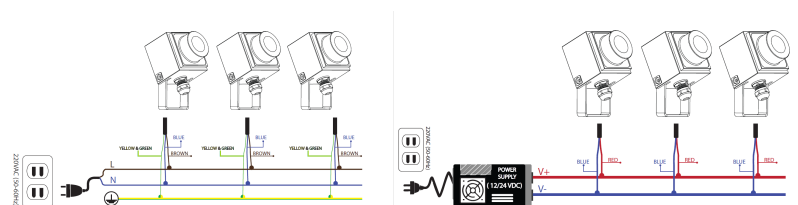
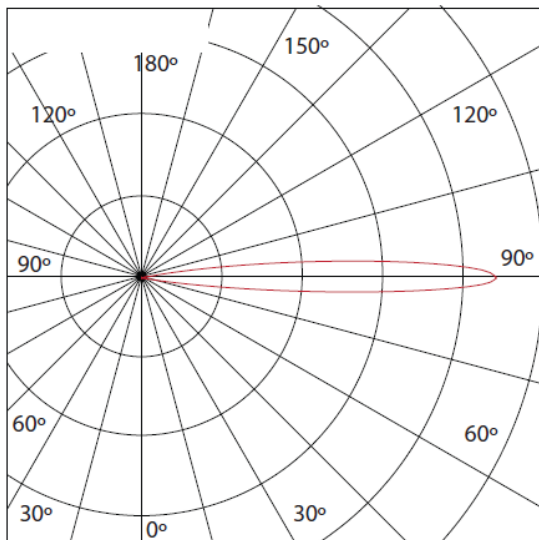
Option:
 Double Belt (strap)
 2,4,6,8 Tree Mount
 Contact Us

LP-CL5559



Spot Light LP-CL5559

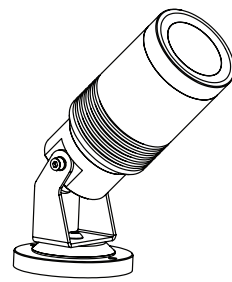
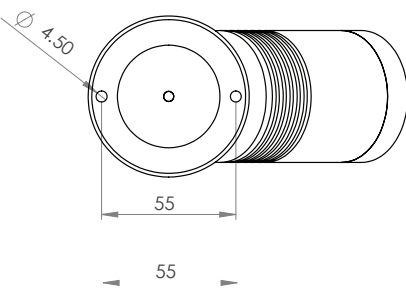
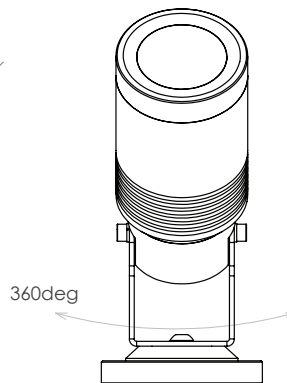
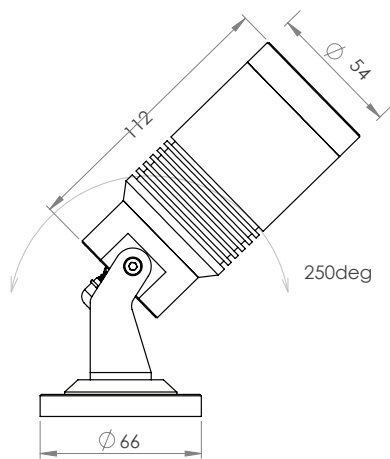
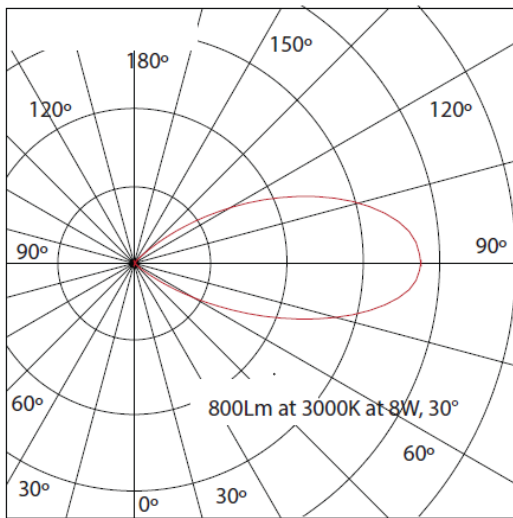
Dimension: 50x50x59mm
 Input Voltage: 24VDC/220VAC
 Power consumption: 3-5W
 Luminous Flux: 260Lm at 4W-3000K, 6deg
 Brand of LEDs: LED CREE
 Color: 3000K - CRI: >80 (Single Color: 2200 - 6000K)
 Beam Angle: 6° (6°, 10°, 24°, 36°, 45°, 60°)
 Function Dimmer: Option
 Material: Aluminium
 Finishing (Color housing): Anodizing Topology
 IP Class: 66
 Electrical Class: III
 LED lifetime: 50.000hrs
 Lens: Clear
 Cellular Sand: Material PMMA with UV protection Standards:
 +EMC protection,+IEC 62031 LED modules for general lighting
 Safetyspecifications,+IEC 60598 Luminaires – Parts 1+2:
 General requirements
 particular requirement sand tests
 Control Gear Fairchild Technology
 LED Module High-power LEDs on metal-core PCB. Collimating
 lens made of optical polymer/pmma
 Anti-Glare Option
 Electrical Protection EMC, inrush current
 Electrical Class 3



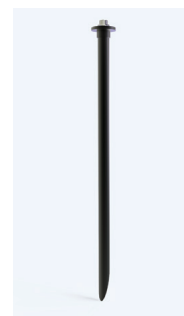
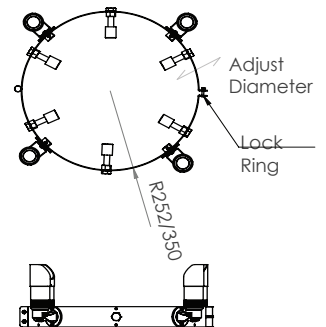
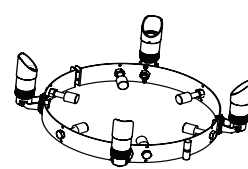
LP-CMD54
LP-TM-R60CM

Spot Light LP-CMD54/LP-TM-R60CM

Dimension: Ø54x111x60mm
 Input Voltage: 24VDC/110-240VAC (43-60Hz)
 Power Consumption: (6-9)W
 Luminous Flux: 800Lm at 3000K at 8W, 30°
 Brand of LED: LED CREE
 Color: 3000K- CRI>90 (Single Color)
 Angle: 12°, 24°, 30°, 36°, 45°, 60°
 Function: None
 Material: Body: Aluminium
 Housing Color: Black
 IP Class: 66
 Electrical Class: III for 24VDC; I for 100-240VAC (43-60Hz)
 LED lifetime: 50.000hrs
 Lens: Clear Cellular Sand:
 Material PMMA with UV protection
 Standards: +EMC protection,+IEC 62031 LED modules for general lighting Safetyspecifications,+IEC 60598 Luminaires – Parts 1+2: General requirements particular requirement sand tests
 Control Gear Fairchild Technology
 LED Module High-power LEDs on metal-core PCB.
 Collimating lens made of optical polymer/pmma
 Anti-Glare Option
 Electrical Protection EMC, inrush current
 Electrical Class 3



Tree Strap (TM-S n) Material:
Belt Nylon Size Adjust: 300-900mm Light mount No: 1pcs



Spike 350
Size: 350x Ø20mm

Spike 500
Size: 500x Ø20mm

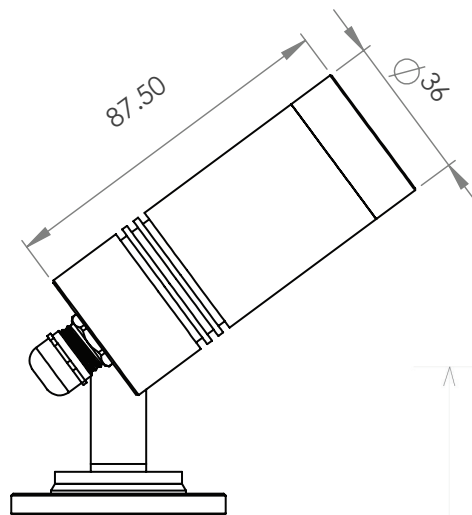
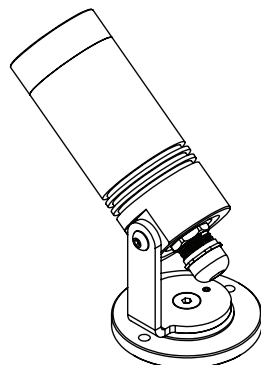
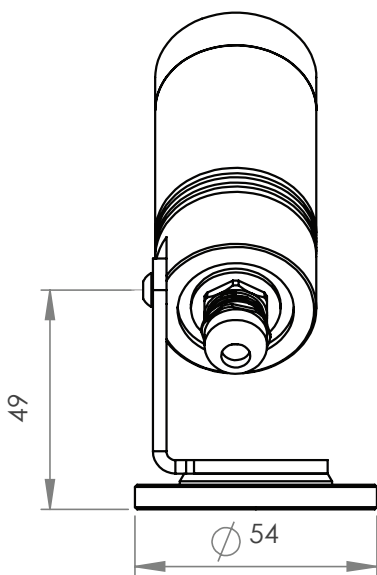
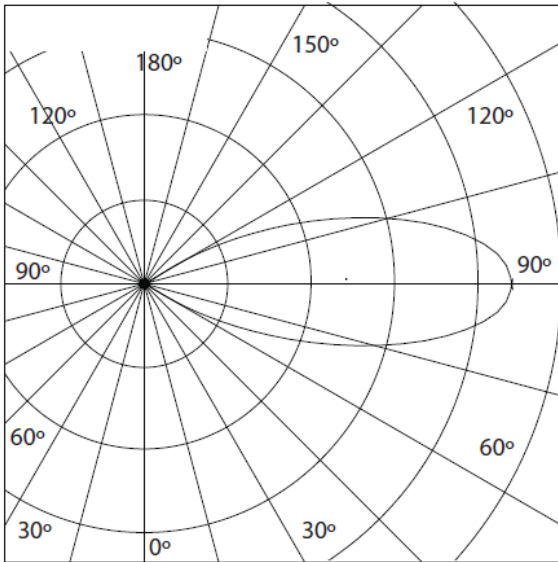
Material: Su304

LP-GKD36

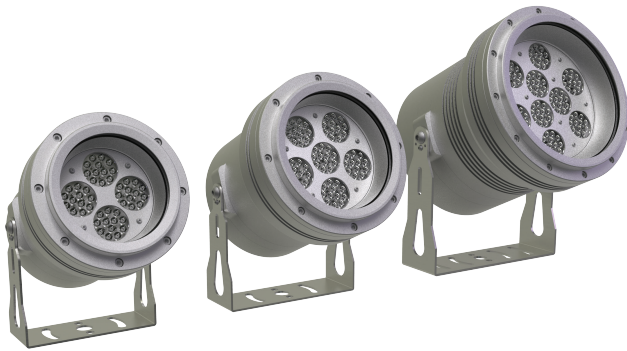


Spot Light LP-GKD36

Dimension: $\varnothing 36 \times 87$ mm
Input Voltage: 24VDC
Power consumption: 2W
Luminous Flux: 160lm x 2700K at 31°
Brand of LEDs: CREE
Color: 3000K - CRI: >90
Beam Angle: 15° (6°, 10°, 15°, 24°, 30°, 36°, 45°, 60°)
Function Dimmer: PWM on Power
Material: Aluminium
Finishing (Color housing): Anodizing topology
IP Class: 66
Electrical Class: III
LED lifetime: 50.000hrs
Lens: Clear Cellular Sand:
Material PMMA with UV protection
Standards: +EMC protection, +IEC 62031 LED modules for general lighting Safetyspecifications, +IEC 60598 Luminaires – Parts 1+2: General requirements particular requirement sand tests
Control Gear Fairchild Technology
LED Module High-power LEDs on metal-core PCB. Collimating lens made of optical polymer/pmma
Anti-Glare Option
Electrical Protection EMC, inrush current
Electrical Class 3



LP-GS469



Spot Light LP-GS469

Dimension: 4Blocks (Ø196 x L221mm);
6Blocks (Ø226 x L241mm)
9Blocks (Ø277 x L291mm)

Input Voltage: 110-240VAC (43-60Hz)

Power consumption: 4Blocks(Max 96W); 6Blocks(Max 144W)
9Blocks(Max 216W)

Luminous Flux: 9520Lm/96W at 3000K, 24Deg

Brand of LEDs: LED CREE

Color: Single color (2200K-6000K; RGB/RGBW)

Beam Angle: 10°(10,15,24,36,60,90,10x90)

Function Dimmer: Option

Material: Aluminium

Finishing (Color housing): White Grey

IP Class: 67

Electrical Class: I with 110-240VAC (43-60Hz); III with
24/48VDC

LED lifetime: 50.000hrs

Lens: Clear Cellular Sand:

Material PMMA with UV protection

Standards: +EMC protection,+IEC 62031 LED modules for
general lighting Safetyspecifications,+IEC 60598 Luminaires –
Parts 1+2: General requirements

particular requirement sand tests

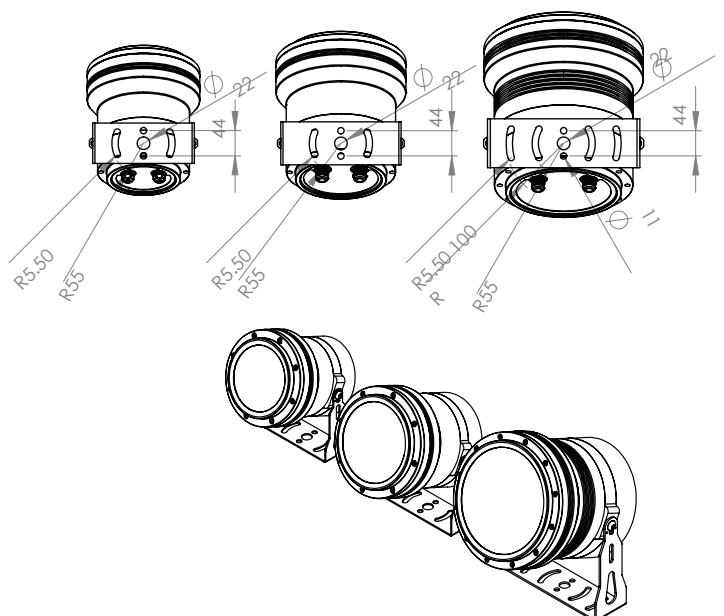
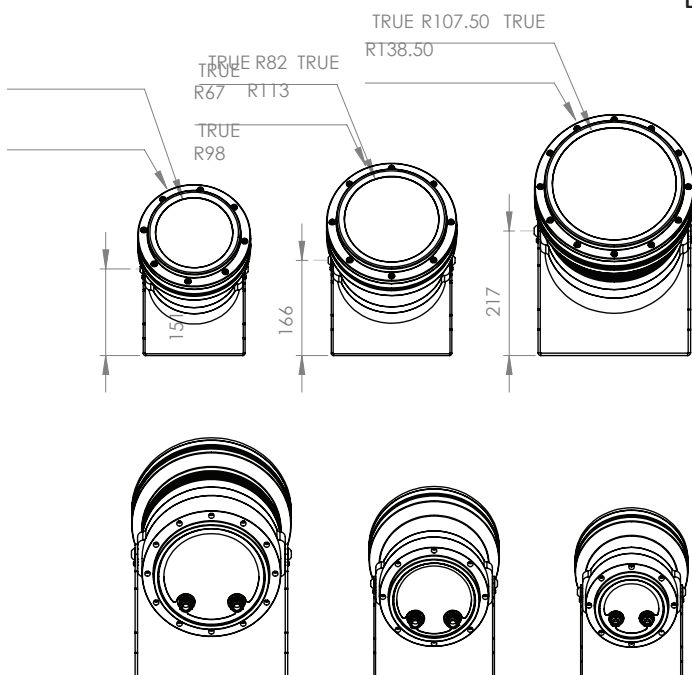
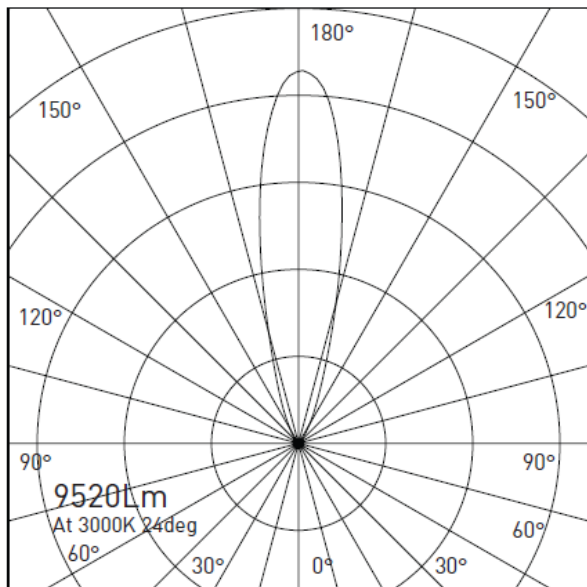
Control Gear Fairchild Technology

LED Module High-power LEDs on metal-core PCB. Collimating
lens made of optical polymer/pmma

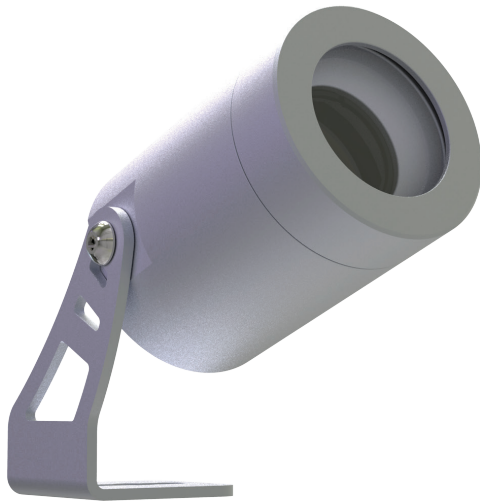
Anti-Glare Option

Electrical Protection EMC, inrush current

Electrical Class 3



LP-ASD3959



Spot Light LP-ASD3959

Dimension: $\varnothing 39\text{mm} \times 59\text{mm}$

Input Voltage: 12/24VDC

Power consumption: Max 3W

Luminous Flux: 160Lm at 3000K, CRI > 90, 15°

Brand of LEDs: LED CREE

Color: 3000K(Single color, RGB, RGBW)

Beam Angle: 15° (5°, 10°, 15°, 24°, 36°, 45°, 60°, 90°)

Function Dimmer: PWM on Power

Material: Stainless 316

Finishing (Color housing): Stainless

IP Class: 68

Electrical Class: III LED lifetime: 50.000hrs

Lens: Clear Cellular Sand:

Material PMMA with UV protection

Standards: +EMC protection,+IEC 62031 LED modules for general lighting Safetyspecifications,+IEC 60598 Luminaires –

Parts 1+2: General requirements

particular requirement sand tests

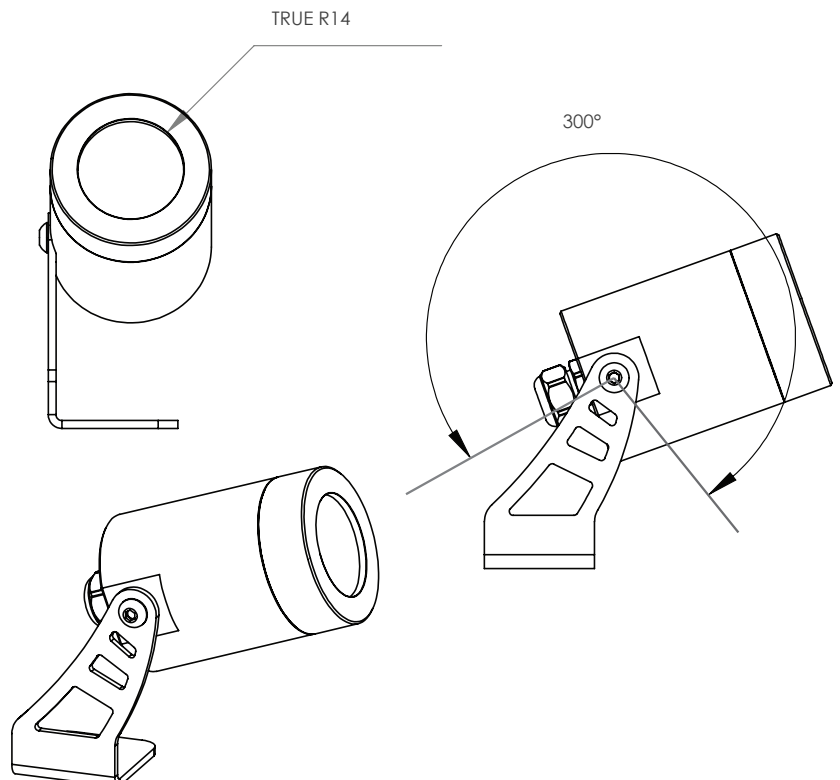
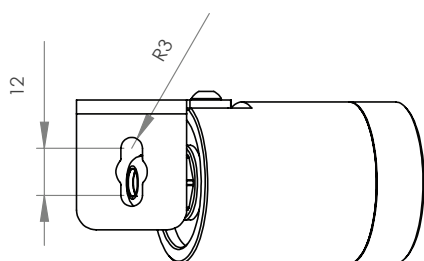
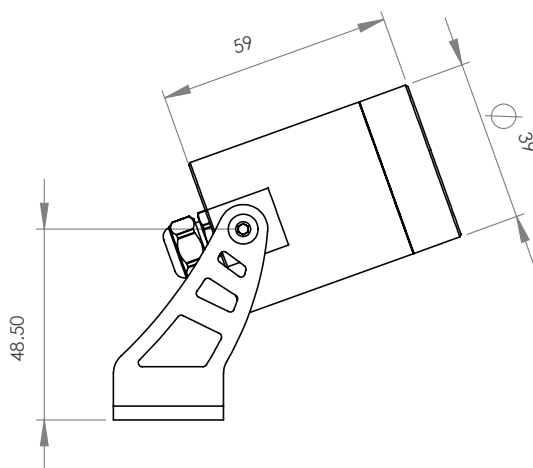
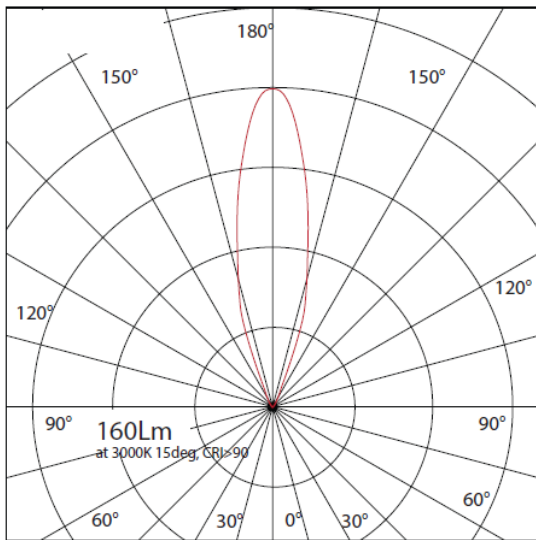
Control Gear Fairchild Technology

LED Module High-power LEDs on metal-core PCB. Collimating lens made of optical polymer/pmma

Anti-Glare Option

Electrical Protection EMC, inrush current

Electrical Class 3



LP-CS555



Recessed LP-CS555

Dimension: 55mm x 55mm x H50mm

Input Voltage: 24VDC

Power consumption: 1W/3W

Luminous Flux: 80lm/112lm

Brand of LEDs: LED CREE

Color: 3000K (Single color: 2200-6000K)

Beam Angle: Di ∞ user

Function Dimmer: None

Material: Aluminium

Finishing (Color housing): Anodizing Topology

IP Class: 66

Electrical Class: III

LED lifetime: 50.000hrs

Lens: Clear

Cellular Sand: Material PMMA with UV protection

Standards: +EMC protection, +IEC 62031 LED modules for general lighting Safety specifications, +IEC 60598 Luminaires – Parts 1+2: General requirements particular requirement sand tests

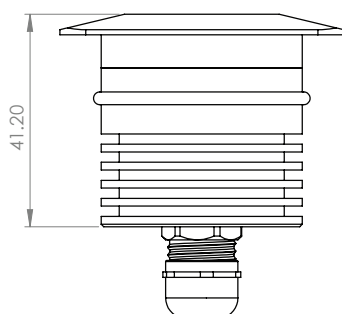
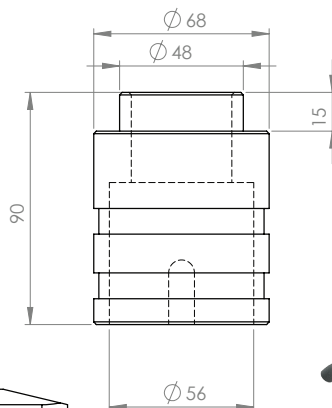
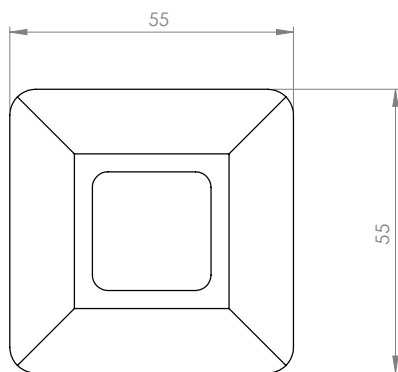
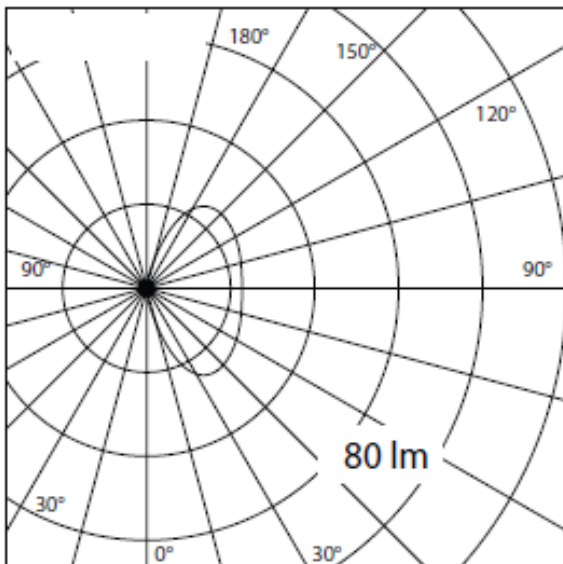
Control Gear Fairchild Technology

LED Module High-power LEDs on metal-core PCB. Collimating lens made of optical polymer/pmma

Anti-Glare Option

Electrical Protection EMC, inrush current

Electrical Class 3



LP-DS546

Recessed LP-DS546

Dimension: $\varnothing 55 \times 46$ mm; Cutout $\varnothing 67$ mm

Input Voltage: 24VDC

Power consumption: Series (1W, 2W, 3W)

Luminous Flux: 180Lm at 3W, 3000K

Brand of LEDs: LED CREE

Color: 3000K, CRI >80

Beam Angle: Special Light

Function Dimmer: PWM on Power

Material: Aluminium

Finishing (Color housing): Anodizing Topology

IP Class: 67

Electrical Class: III

LED lifetime: 50.000hrs

Lens: Clear

Cellular Sand: Material PMMA with UV protection Standards: +EMC protection, +IEC 62031 LED modules for general lighting

Safety specifications, +IEC 60598 Luminaires – Parts 1+2:

General requirements particular requirement sand tests

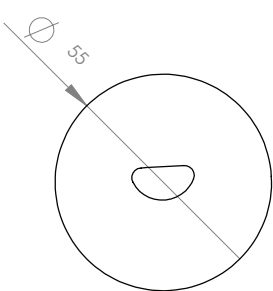
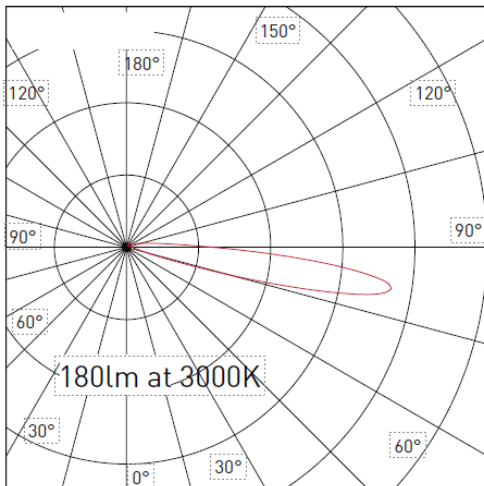
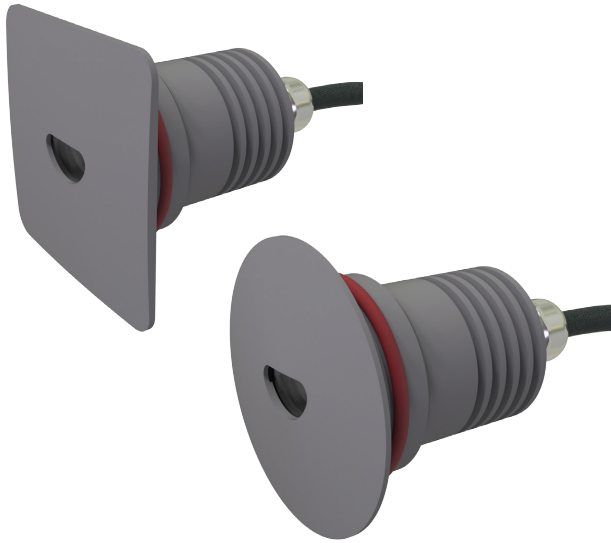
Control Gear Fairchild Technology

LED Module High-power LEDs on metal-core PCB. Collimating lens made of optical polymer/pmma

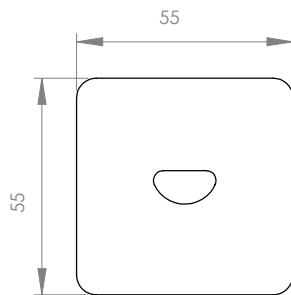
Anti-Glare Option

Electrical Protection EMC, inrush current

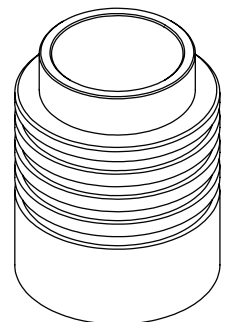
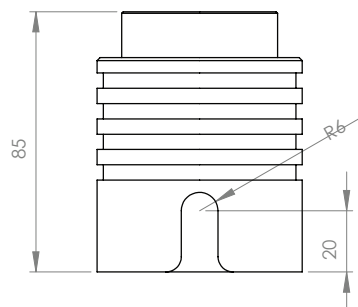
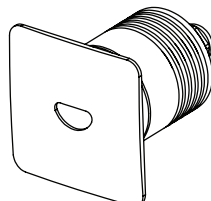
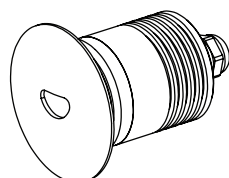
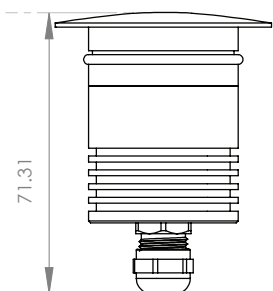
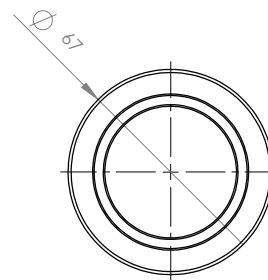
Electrical Class 3



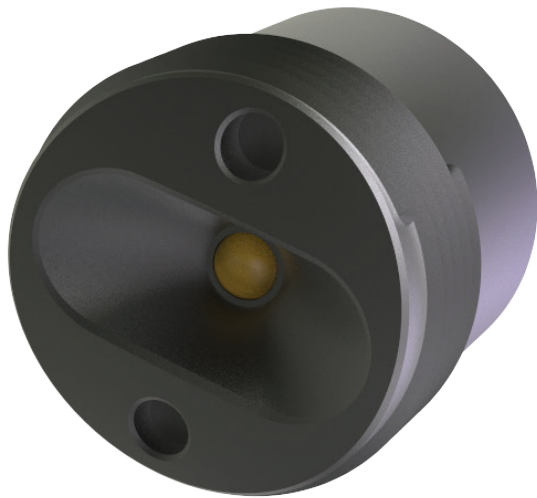
Door-C



Door-S



LP-LU6121



Recessed LP-LU6121

Dimension: A-M16x15mm;B M20x1.5mm

Input Constant Current: 500mA

Power consumption: 2W

Luminous Flux: 190Lm at 3000K, 500mA Lumio- A

Brand of LEDs: LED CREE

Color: 3000K - CRI: >90,R9>50 Step 3 (Single color)

Beam Angle: 30°(10°x80°, 20°x40°, 30°x60°)

Function Dimmer: None

Material: Stainless 316

Finishing (Color housing): Stainless

IP Class: 67

Electrical Class: III

LED lifetime: 50.000hrs

Lens: Clear

Cellular Sand: Material PMMA with UV protection Standards: +EMC protection,+IEC 62031 LED modules for general lighting

Safety specifications, +IEC 60598 Luminaires – Parts 1+2:

General requirements particular requirement sand tests

Control Gear Fairchild Technology

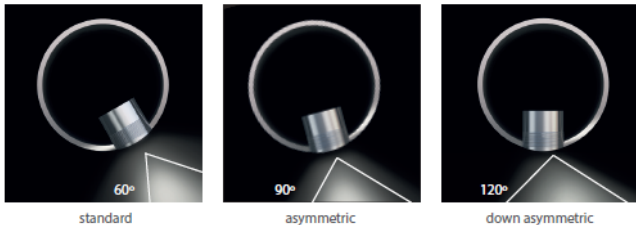
LED Module High-power LEDs on metal-core PCB. Collimating lens made of optical polymer/pmma

Anti-Glare Option

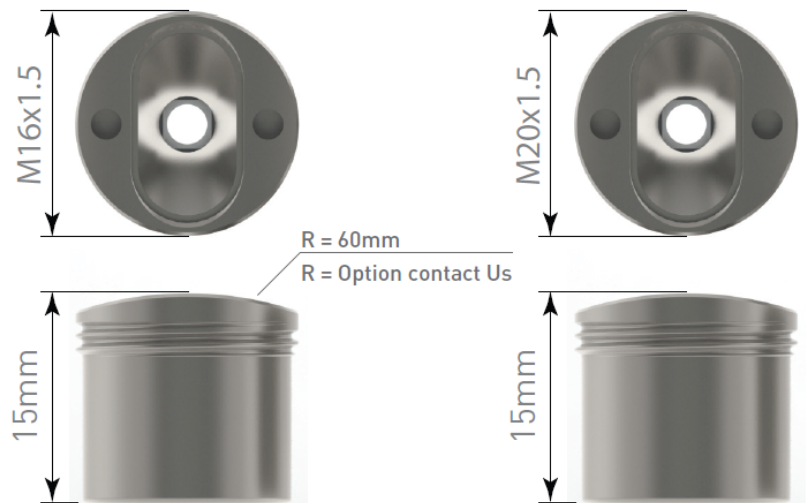
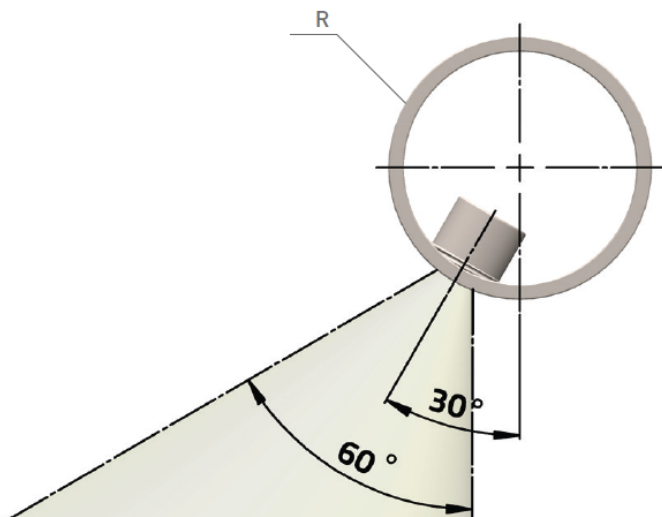
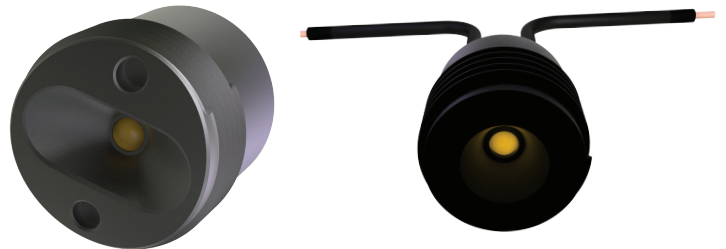
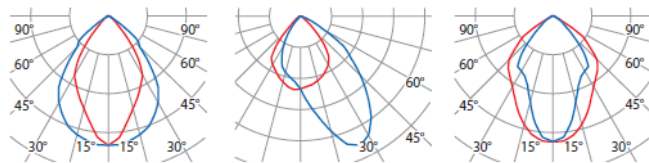
Electrical Protection EMC, inrush current

Electrical Class 3

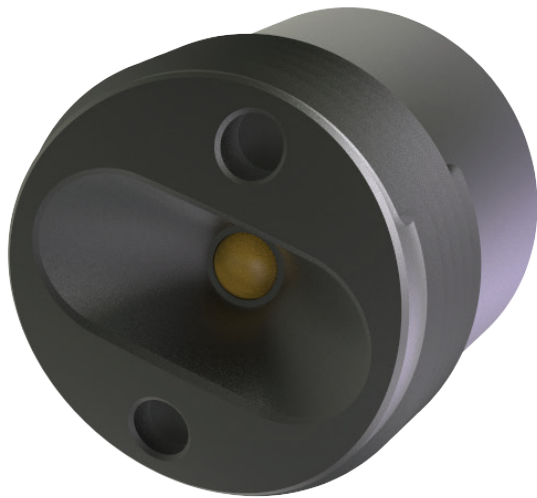
CURVED FACE



POLAR CANDELA DISTRIBUTION



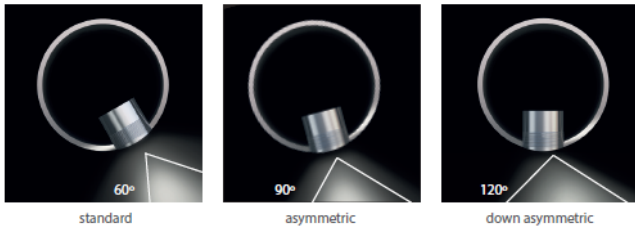
LP-LU6121



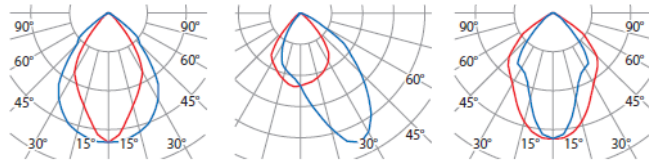
Recessed LP-LU6121

Dimension: A-M16x15mm;B M20x1.5mm
 Input Constant Current: 500mA
 Power consumption: 2W
 Luminous Flux: 190Lm at 3000K, 500mA Lumio- A
 Brand of LEDs: LED CREE
 Color: 3000K - CRI: >90,R9>50 Step 3 (Single color)
 Beam Angle: 30°(10°x80°, 20°x40°, 30°x60°)
 Function Dimmer: None
 Material: Stainless 316
 Finishing (Color housing): Stainless
 IP Class: 67
 Electrical Class: III
 LED lifetime: 50.000hrs
 Lens: Clear

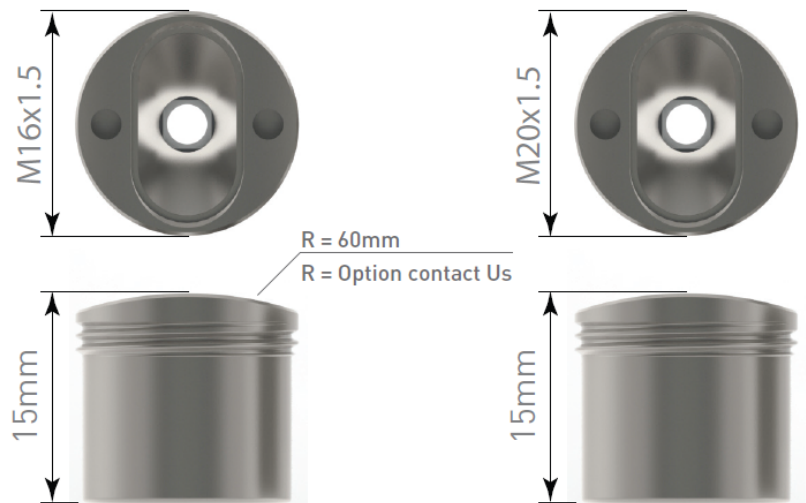
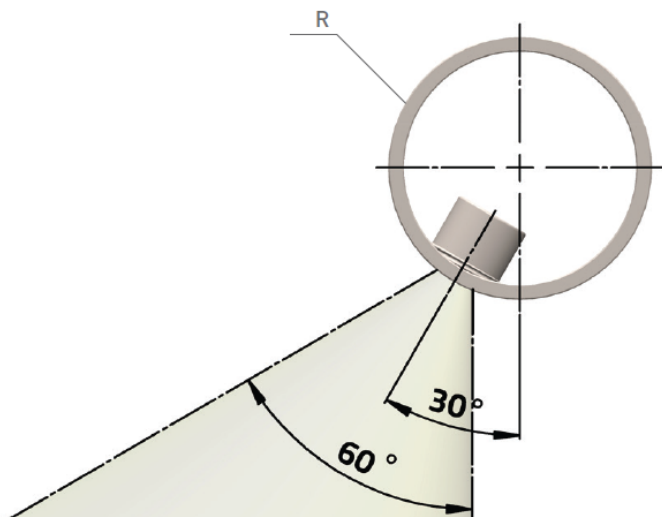
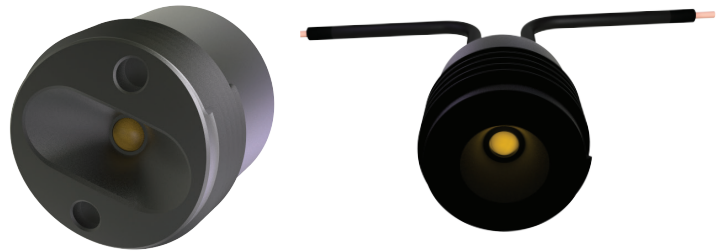
CURVED FACE



POLAR CANDELA DISTRIBUTION



Cellular Sand: Material PMMA with UV protection Standards:
 +EMC protection,+IEC 62031 LED modules for general lighting
 Safety specifications, +IEC 60598 Luminaires – Parts 1+2:
 General requirements particular requirement sand tests
 Control Gear Fairchild Technology
 LED Module High-power LEDs on metal-core PCB. Collimating
 lens made of optical polymer/pmma
 Anti-Glare Option
 Electrical Protection EMC, inrush current
 Electrical Class 3



LP-OR98110



Recessed LP-OR98110

Dimension: $\varnothing 115\text{mm} \times \text{H}75\text{mm}$; Cutout: $\varnothing 98 \times 110\text{mm}$
 Input Voltage: IP68 - 24VDC; IP67: 24VDC/110-240VAC (43-60Hz)

Power consumption: Series M (6W, 9W, 12W, 15W)
 Luminous Flux: 920Lm at 3000K, 15W
 Brand of LEDs: LED CREE / LED Engin
 Color: 3000K - CRI: > 90 (Color: 2700 - 6000K, RGB, RGBW)
 Angle: $6^\circ \times 45^\circ$

Function Dimmer: PWM on Power only for 24VDC
 Material: IP67: Body: Aluminium; Face: Stainless 316
 IP68: Stainless 316

Finishing (Color housing): Stainless

IP Class: 67 for Inground; 68 for Inwater

Electrical Class: III for 24VDC; I for 110-240VAC (43-60Hz)

LED lifetime: 50.000hrs

Lens: Clear

Cellular Sand: Material PMMA with UV protection Standards: +EMC protection, +IEC 62031 LED modules for general lighting

Safety specifications, +IEC 60598 Luminaires – Parts 1+2:

General requirements particular requirement sand tests

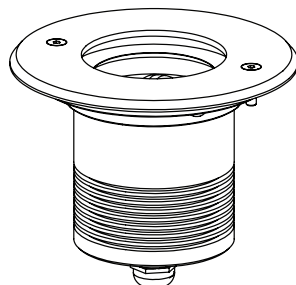
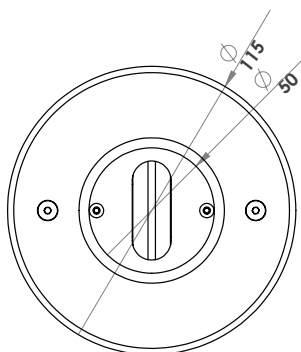
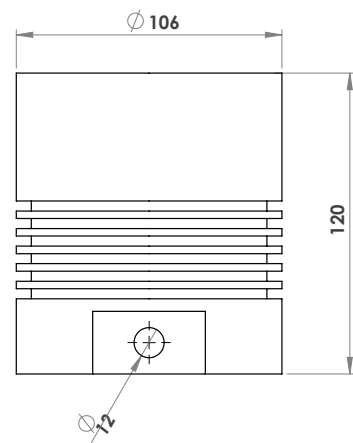
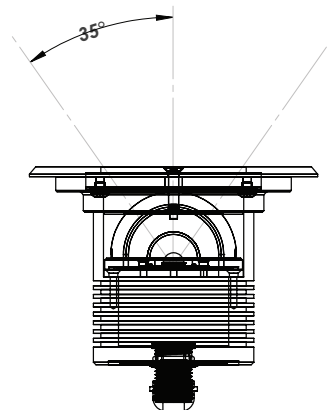
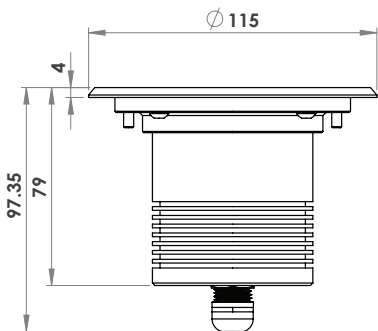
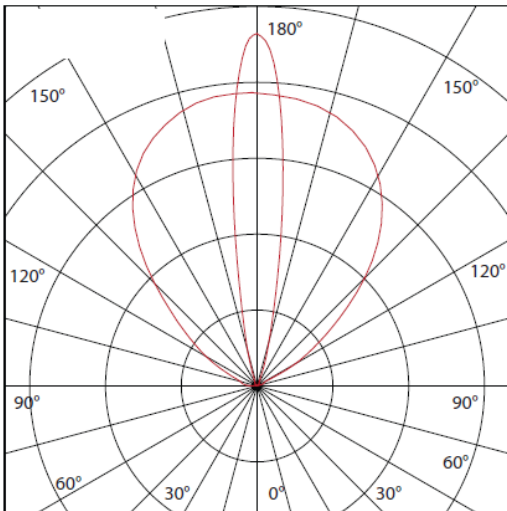
Control Gear Fairchild Technology

LED Module High-power LEDs on metal-core PCB. Collimating lens made of optical polymer/pmma

Anti-Glare Option

Electrical Protection EMC, inrush current

Electrical Class 3



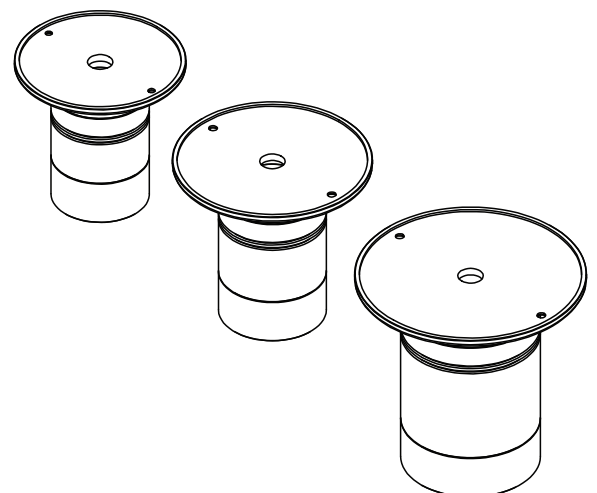
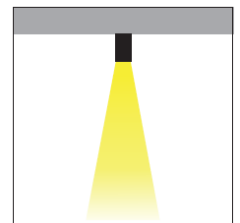
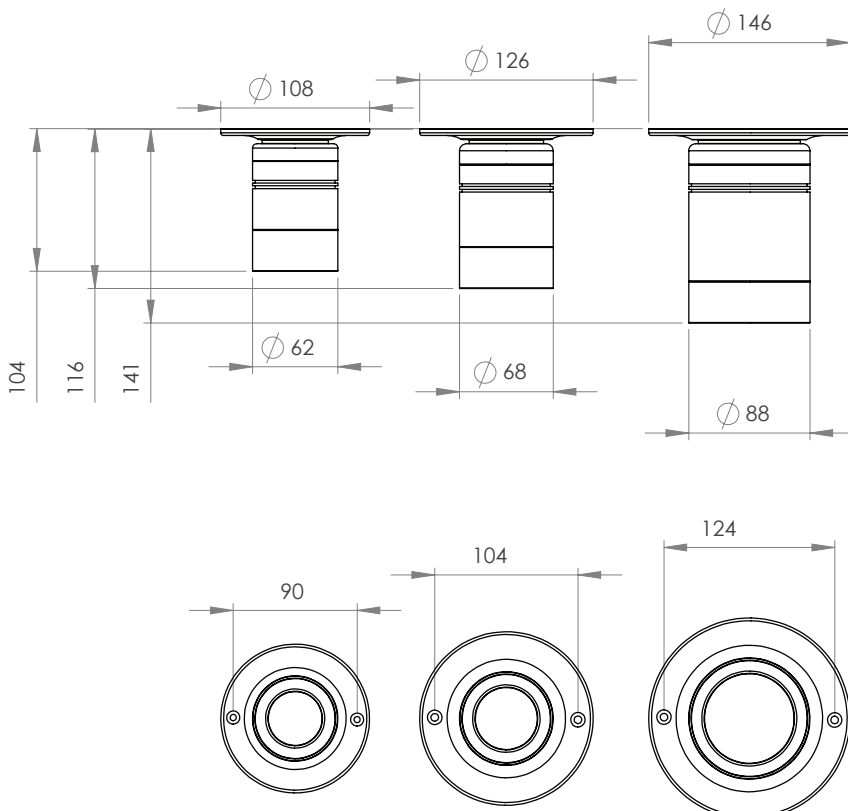
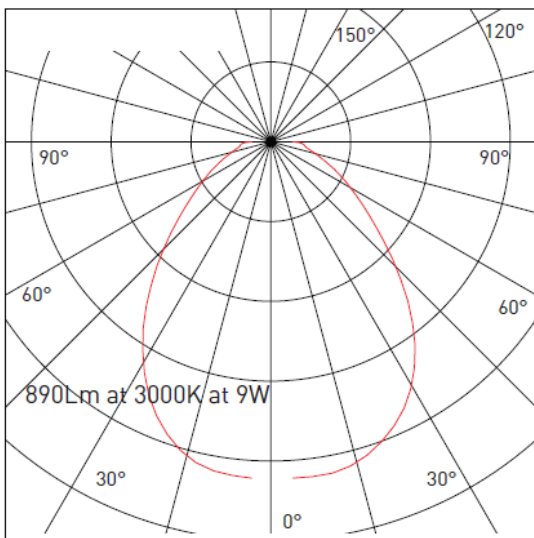
Recessed Box

LP-CSSD-

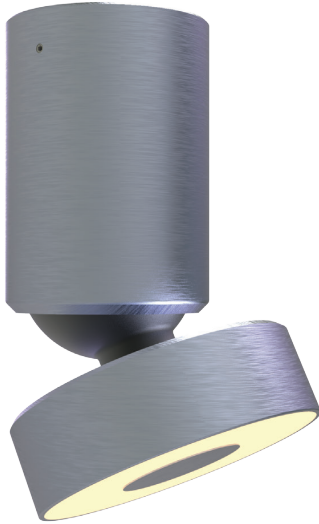


Surface Mount Light LP-CSSD-

Dimension: S($\varnothing 62 \times 103$); M($\varnothing 68 \times 103$); L($\varnothing 88 \times 141$)
Input Voltage: 48VDC / 110-240VAC (43-60Hz)
Power Consumption: S(7W, 9W); M(12W, 15W); L(16W, 20W)
Luminous Flux: 890Lm at 3000K at 9W
Brand of LED: LED CREE
Color: 3000K; CRI >90 (2400K-5500K, Single Color)
Angle: 5°, 10°, 24°, 30°, 36°, 45°, 60°
Function: Option
Material: Aluminium
Finishing (Color housing): Anodizing topology
IP Class: 65
Electrical Class: I
LED lifetime: 50.000hrs
Lens: Clear
Cellular Sand: Material PMMA with UV protection Standards:
+EMC protection,+IEC 62031 LED modules for general lighting
Safetyspecifications,+IEC 60598 Luminaires – Parts 1+2:
General requirements
particular requirement sand tests
Control Gear Fairchild Technology
LED Module High-power LEDs on metal-core PCB. Collimating
lens made of optical polymer/pmma
Anti-Glare Option
Electrical Protection EMC, inrush current
Electrical Class 3

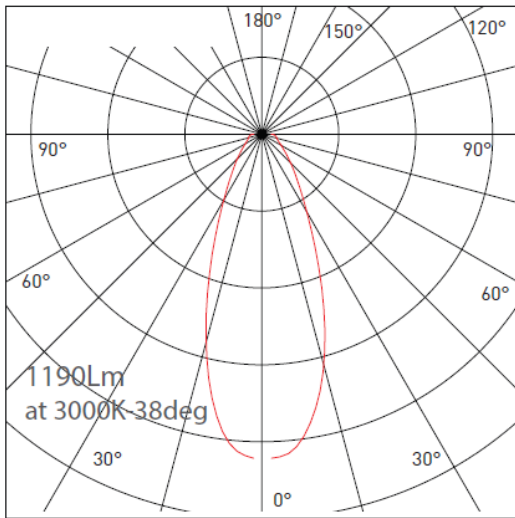


LP-D110DA

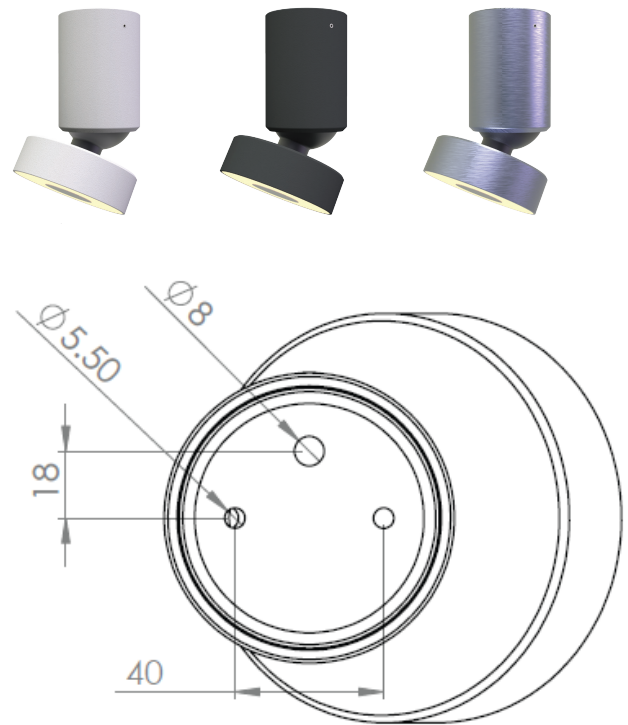
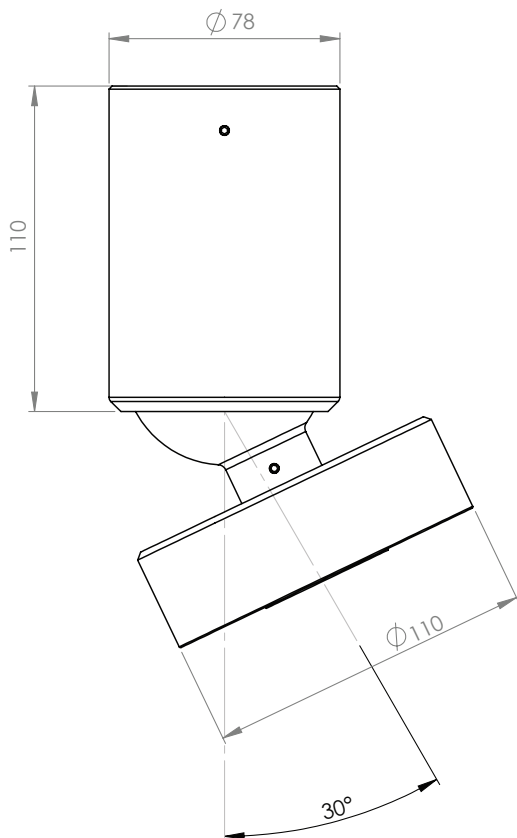


Surface Mount Light LP-D110DA

Dimension: $\varnothing 110 \times H145\text{mm}$
Input Voltage: 95-265VAC (43-60Hz)
Power Consumption: Series (7W, 9W, 12W)
Luminous Flux: Series
Brand of LED: LED CREE
Color: 3000K; CRI >90 (2400K-5500K, Single Color)
Angle: Diffuser
Function: None
Material: Aluminium
Finishing (Color housing): White
IP Class: 54



Electrical Class: I
LED lifetime: 50.000hrs
Lens: Clear
Cellular Sand: Material PMMA with UV protection Standards:
+EMC protection,+IEC 62031 LED modules for general lighting
Safetyspecifications,+IEC 60598 Luminaires – Parts 1+2:
General requirements
particular requirement sand tests
Control Gear Fairchild Technology
LED Module High-power LEDs on metal-core PCB. Collimating
lens made of optical polymer/pmma
Anti-Glare Option
Electrical Protection EMC, inrush current
Electrical Class 3





Surface Mount Light LP-INS12W

Dimension: M(Ø88x H136mm)L(Ø107x H146mm)

X(Ø118x H166mm)XL(Ø138x H181mm)

Input Voltage: 95-265VAC (43-60Hz)

Power Consumption: Series

Luminous Flux: 1190Lm at 12W, 3000K, 24Deg

Brand of LED: LED CREE

Color: 3000K; CRI >90 (2400K-5500K, Single Color)

Angle: 12°, 24°, 38°, 45°, 60°, 90°

Function: Option

Material: Aluminium

Finishing (Color housing): Anodizing Topology

IP Class: 65

Electrical Class: I

LED lifetime: 50.000hrs

Lens: Clear

Cellular Sand: Material PMMA with UV protection Standards:

+EMC protection,+IEC 62031 LED modules for general lighting

Safetyspecifications,+IEC 60598 Luminaires – Parts 1+2:

General requirements

particular requirement sand tests

Control Gear Fairchild Technology

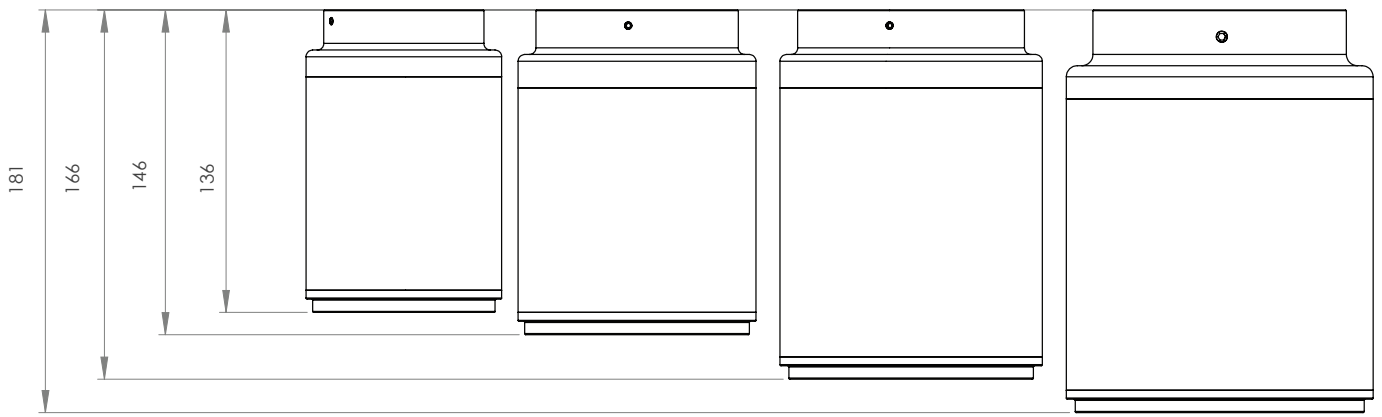
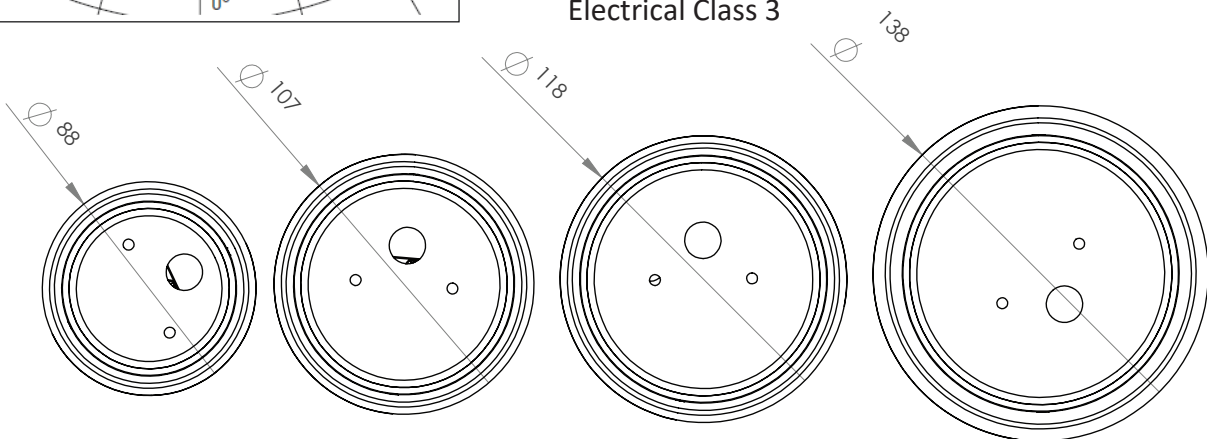
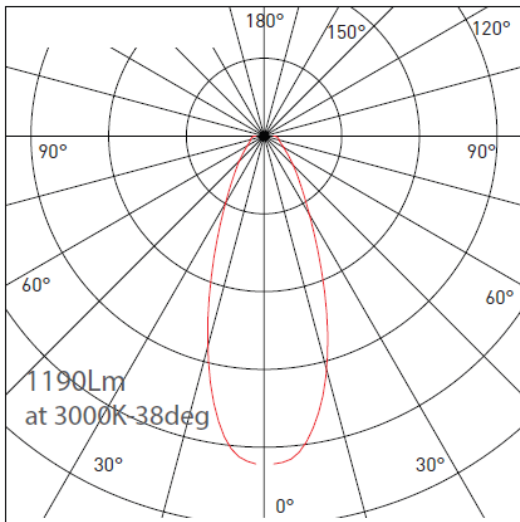
LED Module High-power LEDs on metal-core PCB. Collimating

lens made of optical polymer/pmma

Anti-Glare Option

Electrical Protection EMC, inrush current

Electrical Class 3





Surface Mount Light LP-LC234

Dimension: S(∅22x60); M(∅38x110); L(∅48x130)

Input Voltage: 24VDC

Power consumption: S (1-3W); M (4-6W); L(9-12W)

Luminous Flux: Series

Brand of LEDs: LED CREE

Color: 3000K - CRI: >80 (Single Color: 2200 - 6000K)

Beam Angle: 5°, 10°, 24°, 30°, 36°, 45°, 60°

Function Dimmer: Option

Material: Aluminium

Finishing (Color housing): Anodizing Topology

IP Class: 66

Electrical Class: III

LED lifetime: 50.000hrs

Lens: Clear

Cellular Sand: Material PMMA with UV protection Standards: +EMC protection,+IEC 62031 LED modules for general lighting Safetyspecifications,+IEC 60598 Luminaires – Parts 1+2:

General requirements

particular requirement sand tests

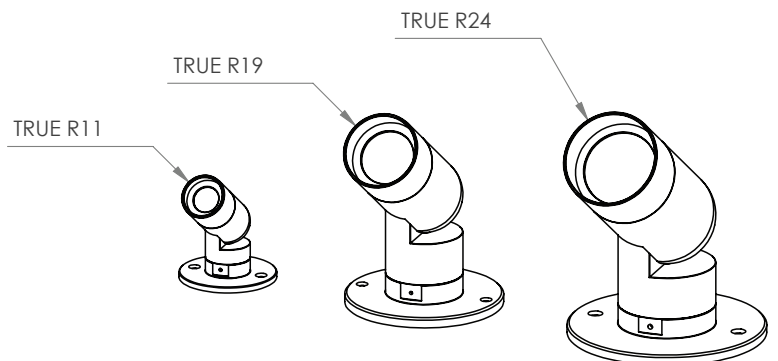
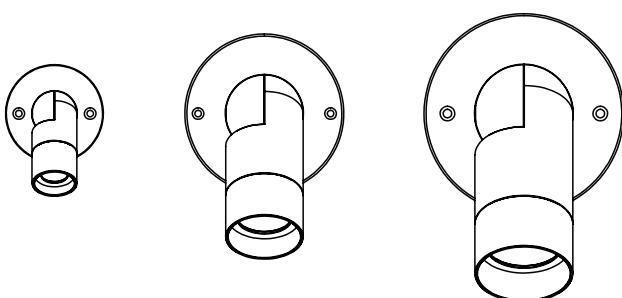
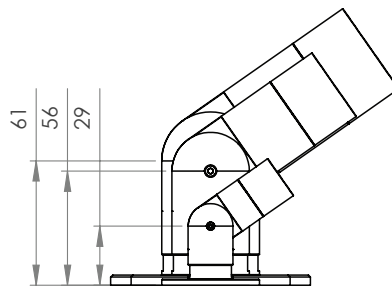
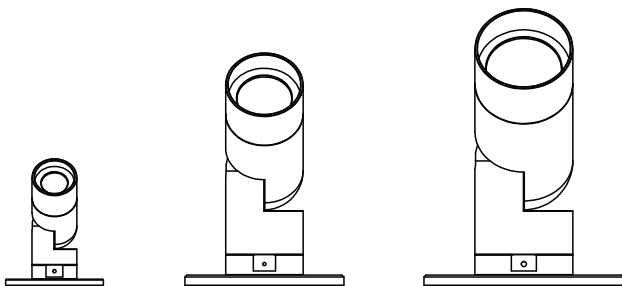
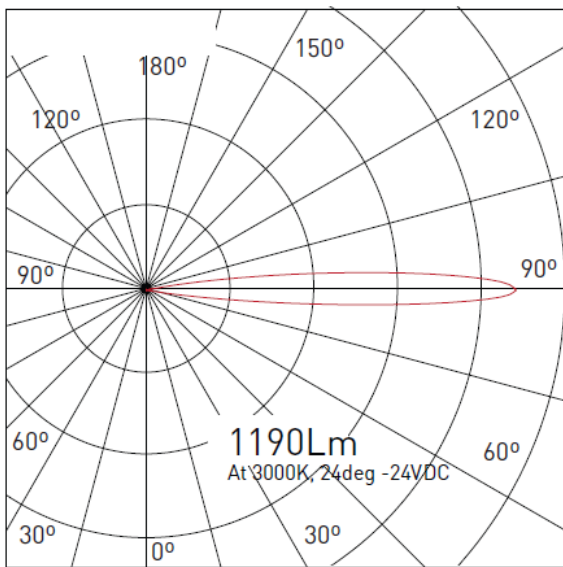
Control Gear Fairchild Technology

LED Module High-power LEDs on metal-core PCB. Collimating lens made of optical polymer/pmma

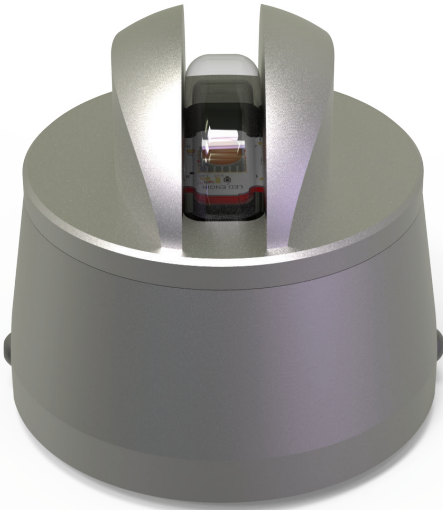
Anti-Glare Option

Electrical Protection EMC, inrush current

Electrical Class 3



LP-Point90



Surface Mount Light LP-Point90

Input Voltage: 24VDC/220VAC (50-60Hz)

Dimension: Ø90mm x H73mm

Power Consumption: Series (6-9W)

Luminous Flux: 680 Lm x 3000K at 8W

Brand of LED : LED CREE

Color: 3000K- CRI: >80

Angle: Special (18*140°)

Function: Option

Material: Aluminium

Finishing (Color housing): Anodizing

IP Class: 65

Electrical Class: I

LED lifetime: 50.000hrs

Lens: Clear Cellular Sand

Material PMMA with UV protection

Standards: +EMC protection,+IEC 62031 LED modules for general lighting Safetyspecifications,+IEC 60598 Luminaires –

Parts 1+2: General requirements

particular requirement sand tests

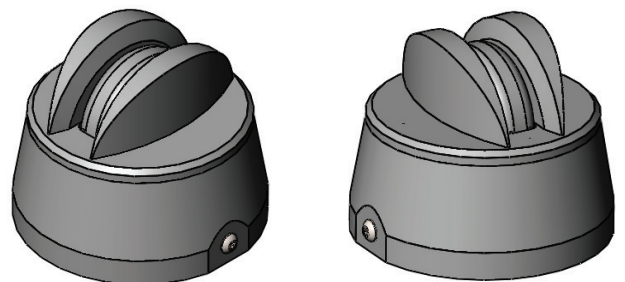
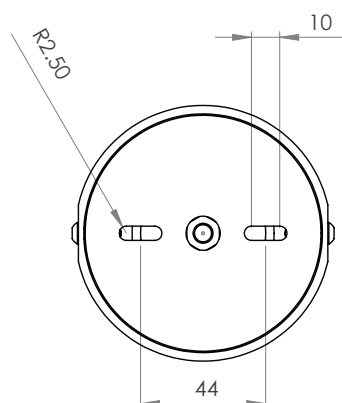
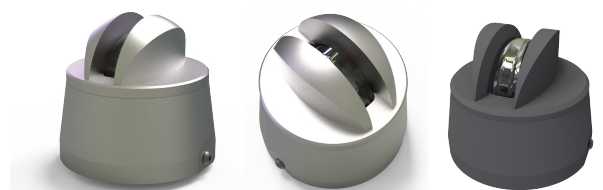
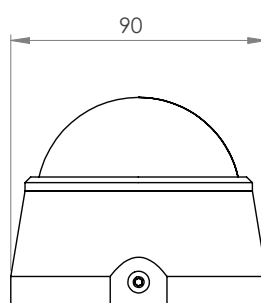
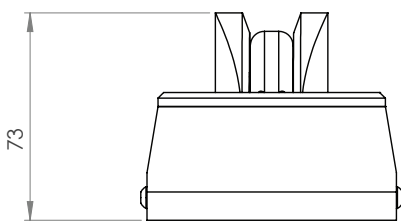
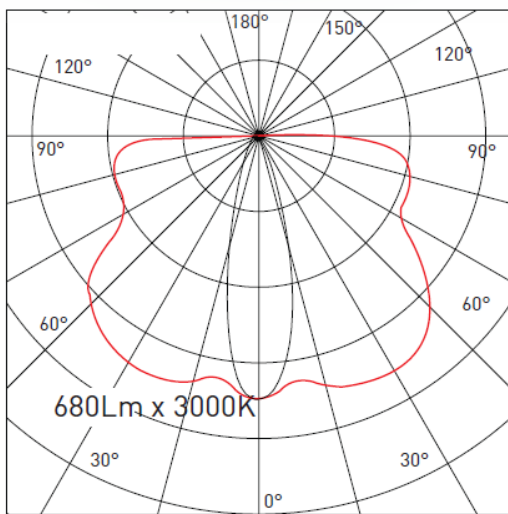
Control Gear Fairchild Technology

LED Module High-power LEDs on metal-core PCB. Collimating lens made of optical polymer/pmma

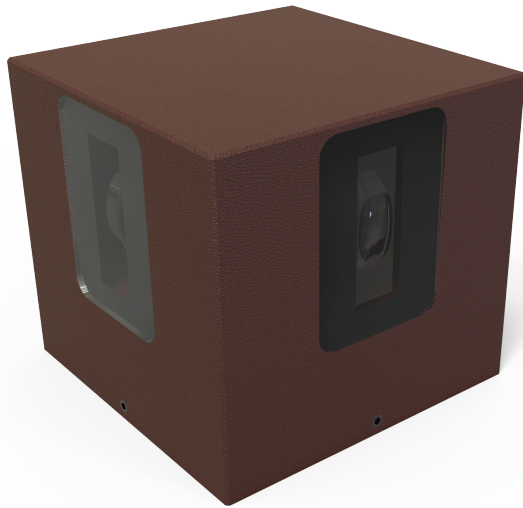
Anti-Glare Option

Electrical Protection EMC, inrush current

Electrical Class 3



LP-ZIK119



Surface Mount Light LP-ZIK119

Dimension: 118mm x 118mm x H97

Input Voltage: 24/36/48 VDC

Power consumption: Max 4x5W

Luminous Flux: 4x 290Lm at 3000K

Brand of LEDs: LED CREE

Color: RGB/RGBW; Dynamic White (2700-6500); Single Color
Angle: 3°

Function Dimmer: Option

Material: Aluminium

Finishing (Color housing): Anodizing Topology

IP Class: 65

Electrical Class: III

LED lifetime: 50.000hrs

Lens: Clear Cellular Sand

Material PMMA with UV protection

Standards: +EMC protection,+IEC 62031 LED modules for general lighting Safetyspecifications,+IEC 60598 Luminaires – Parts 1+2: General requirements

particular requirement sand tests

Control Gear Fairchild Technology

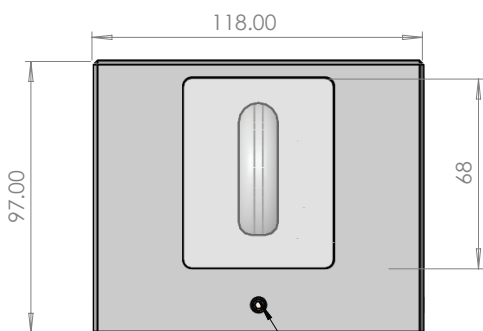
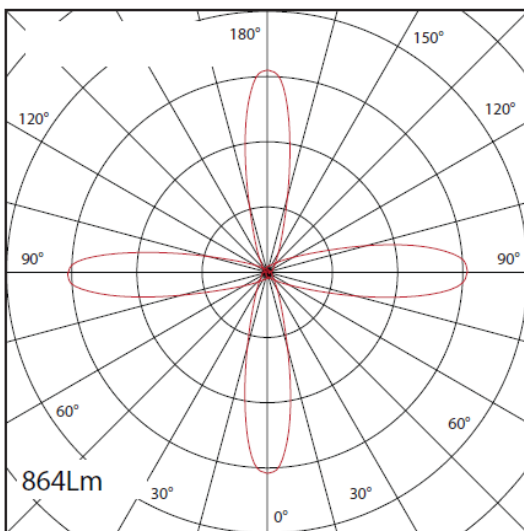
LED Module High-power LEDs on metal-core PCB.

Collimating lens made of optical polymer/pmma

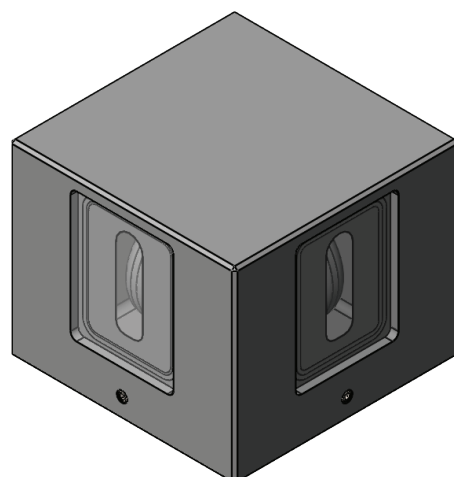
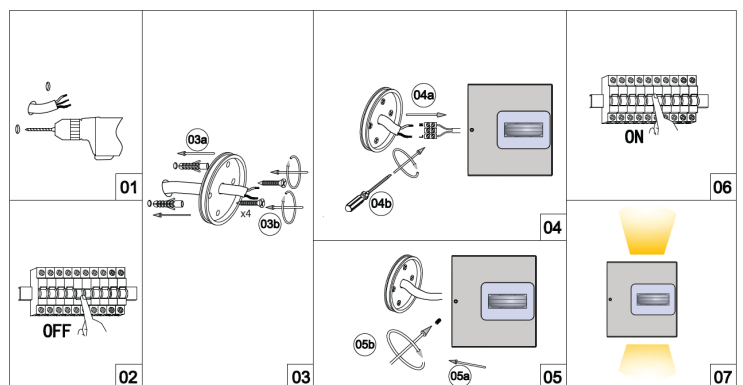
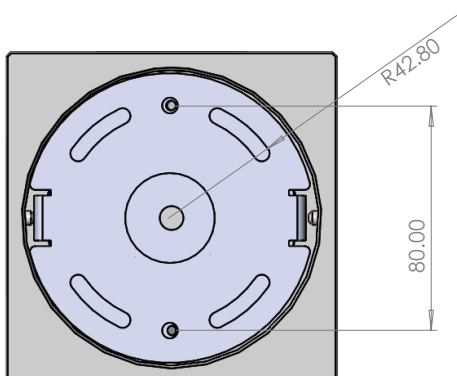
Anti-Glare Option

Electrical Protection EMC, inrush current

Electrical Class 3



Lock Crew



LP-KNOX4998



Linear Light LP-KNOX4998

Dimension: 494 x 95 x 86mm;

Input Voltage: 24VDC

Power consumption: 12x1; 12x3

Luminous Flux: Series Name

Brand of LEDs: LED CREE

Color: 3000K - CRI: > 90 (2200 - 6000K; RGB; RGBW)

Beam Angle: 20°x40°(5°,10°,15°,24°,36°,60°,90°,10°x90°) Function Dimmer: PWM on Power

Material: S tainless 316

Finishing (Color housing): Stainless

IP Class: 68

Electrical Class: III

Cable Lenght: 5 Metter

LED lifetime: 50.000hrs

Lens: Clear Cellular Sand

Material PMMA with UV protection

Standards: +EMC protection,+IEC 62031 LED modules for

general lighting Safety specifications

Control Gear Fairchild Technology

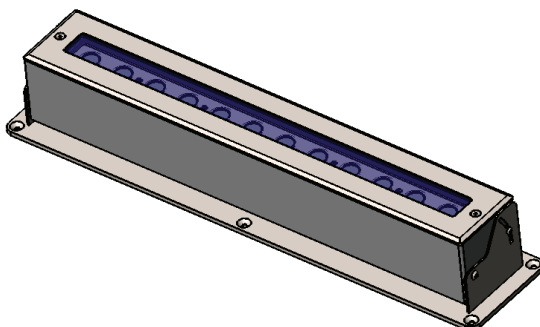
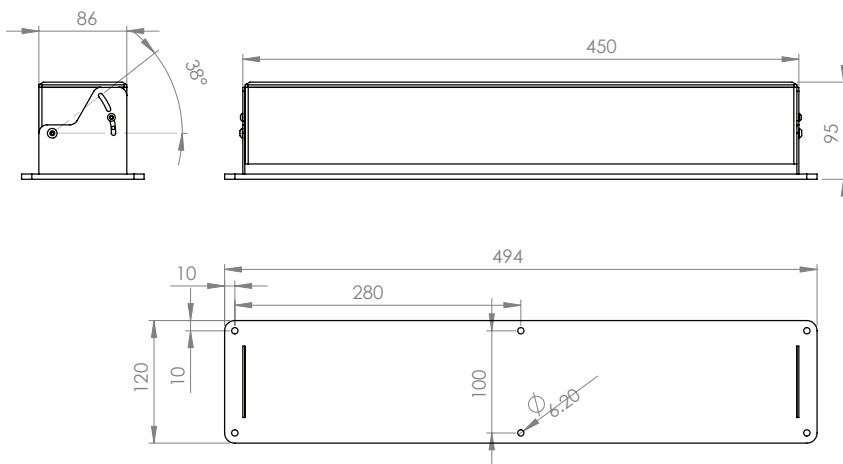
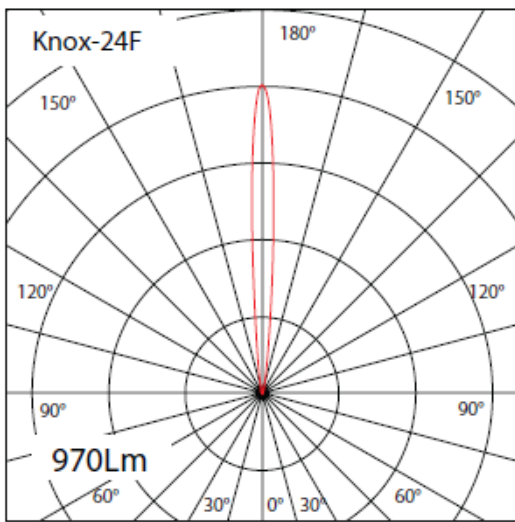
LED Module High-power LEDs on metal-core PCB.

Collimating lens made of optical polymer/pmma

Anti-Glare Option

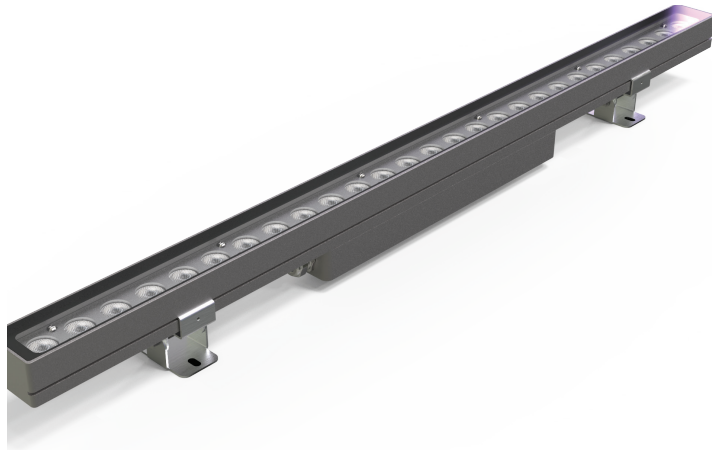
Electrical Protection EMC, inrush current

Electrical Class 3

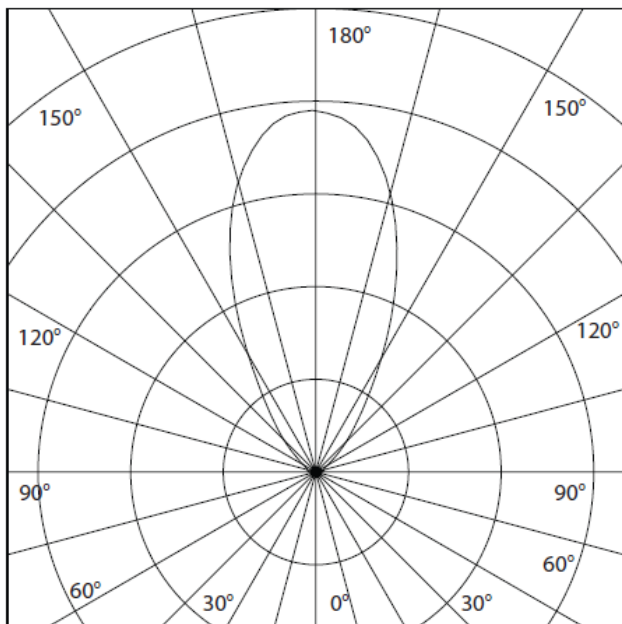


LP-LES1046

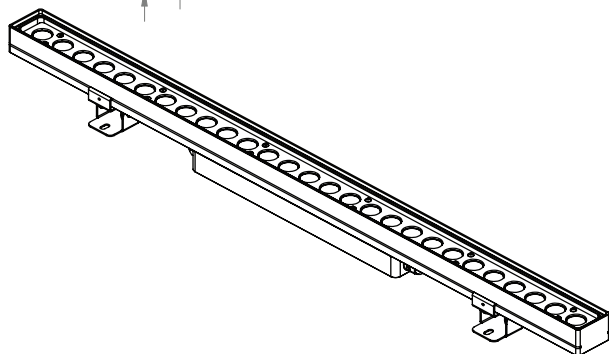
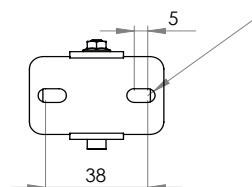
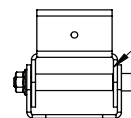
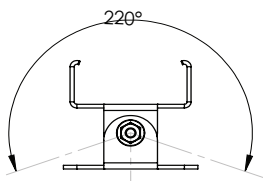
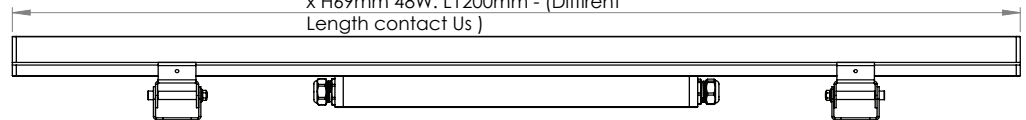
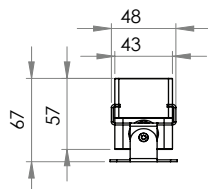
Linear Light LP-LES1046



Dimension: L1000mm x W43mm x H67mm
 Input Voltage: 24VDC/ 36VDC/ 48VDC/ 110-240VAC (50-60Hz)
 Power consumption: (18-40)W
 Luminous Flux: 2080Lm x 3000K
 Brand of LEDs: LED CREE
 Color: Single color (2200K-6000K; RGB/RGBW)
 Beam Angle: 36°(5,10°,15°,24°,36°,60°,90°,10x40°,10°x90°)
 Function Dimmer: Option
 Material: Aluminium
 Finishing (Color housing): White Grey
 IP Class: 66
 Electrical Class: I with 110-240VAC (43-60Hz); III with 24/48VDC
 LED lifetime: 50.000hrs
 Lens: Clear Cellular Sand
 Material PMMAwith UV protection
 Standards:+EMC protection,+IEC 62031 LED modules for general lighting Safety specifications,+IEC 60598
 Luminaires -Parts 1+2:
 General requirements
 particular requirementsand tests
 Control Gear Fairchild Technology
 LED Module High-power LEDs on metal-core PCB.
 Collimating lens made of optical polymer/pmma
 Anti-Glare Option
 Electrical Protection EMC, inrush current
 Electrical Class 3

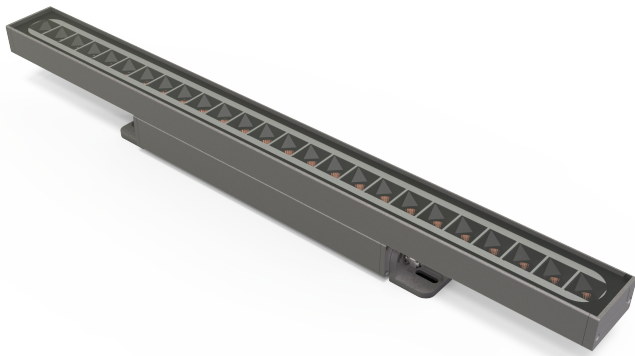


40W/36W/24W/18W: L1000mm x W41mm
 x H69mm 48W: L1200mm - (Different Length contact Us)



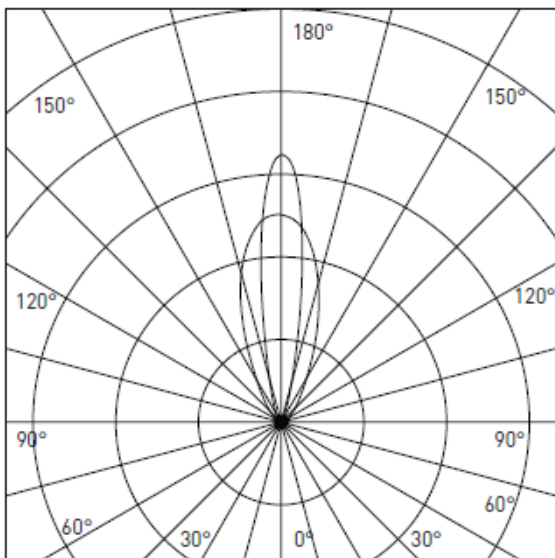
With anti glare reflector

LP-LBS1067



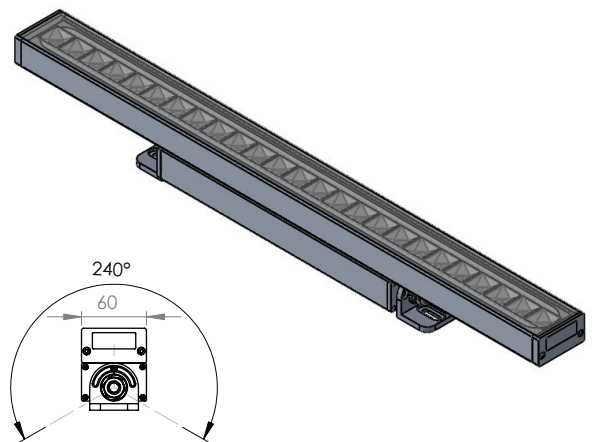
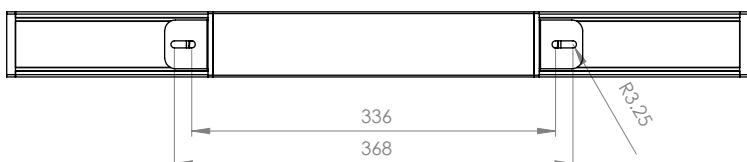
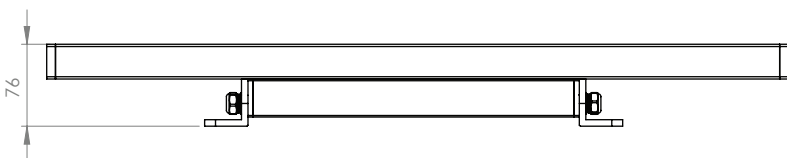
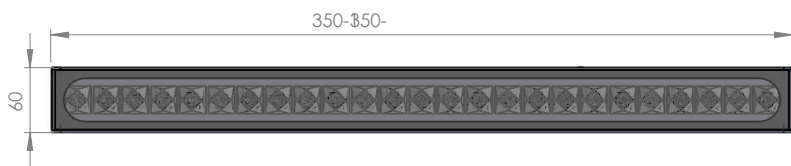
Linear LP-LBS1067

Dimension: L1000mm x W60mm x H79mm
 Input Voltage: 100-240VAC (43-60Hz)
 Power consumption: Series (48/60/100W)
 Luminous Flux: 48W-2340Lm at RGBW (W=3000K), 10°x40°
 Brand of LEDs: LED CREE
 Color: RGBW (W=3000K)(Single Color, RGB, RGBW Contact us)
 Beam Angle: 10°x40°(5°,10°,15°,24°,36°,60°,90°,10°x90°,...) Function Dimmer: None/ Dali/ 1-10V, DMX512
 Material: Aluminium
 Finishing (Color housing): Anodizing Grey
 IP Class: 66
 Electrical Class: I
 LED lifetime: 50.000hrs
 Lens: Clear
 Cellular Sand: Material PMMA with UV protection
 Standards: +EMC protection
 +IEC 62031 LED modules for general lighting Safety

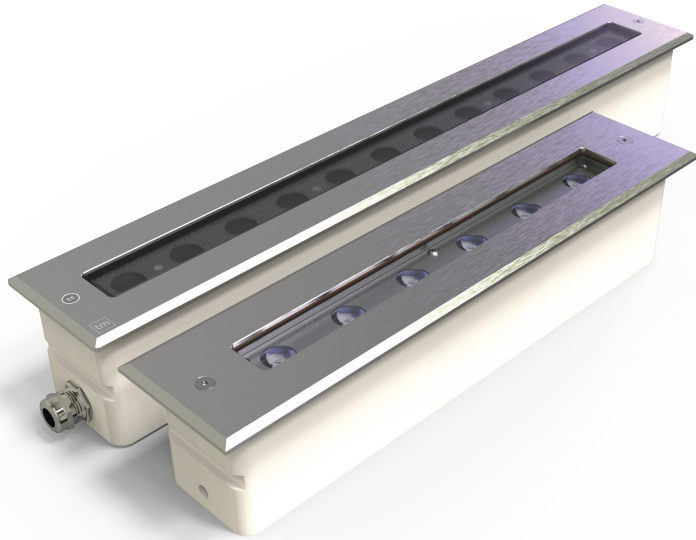


specifications

+IEC 60598 Luminaires – Parts 1+2: General requirements
 particular requirement sand tests
 Control Gear Fairchild Technology
 LED Module High-power LEDs on metal-core PCB.
 Collimating lens made of optical polymer/pmma
 Anti-Glare Option
 Electrical Protection EMC, inrush current
 Electrical Class 3
 MLP-LBS1067



LP-MM5485



Linear Light LP-LP-MM5485

Dimension: L540mm x W86mm x H50 mm - Max 24W

Input Voltage: 12/24VDC

Power consumption: Max 24W

Luminous Flux: 1240lm At RGBW(W=5000K), 14°x40°

Brand of LEDs: LED CREE

Color: 3000K - CRI: > 90 (Single color: 2200-6000, RGB, RGBW)

Beam Angle: 20° (15°, 20°, 24°, 36°, 45°, 60°, 14°x40°)

Function Dimmer: PWM on Power

Material: IP68 Full StainLess 316

IP67: Body Aluminium; Face Stainless

Finishing (Color housing): Stainless

IP Class : 68

Electrical Class: III

LED lifetime: 50.000hrs

Lens: Clear Cellular Sand

Material PMMA with UV protection

Standards: +EMC protection,+IEC 62031 LED modules for general lighting Safety specifications

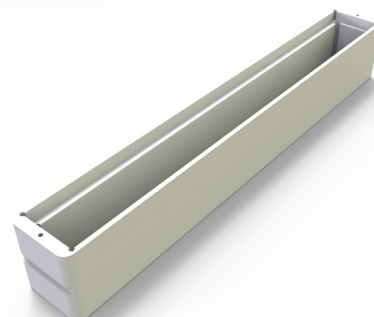
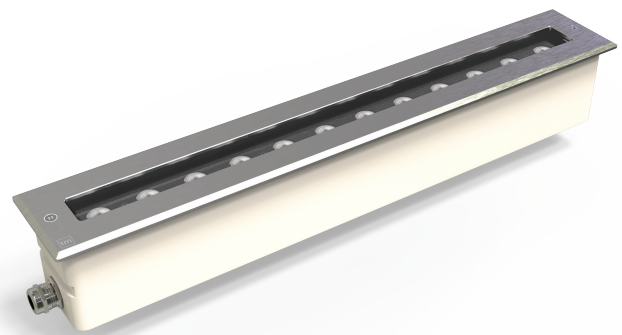
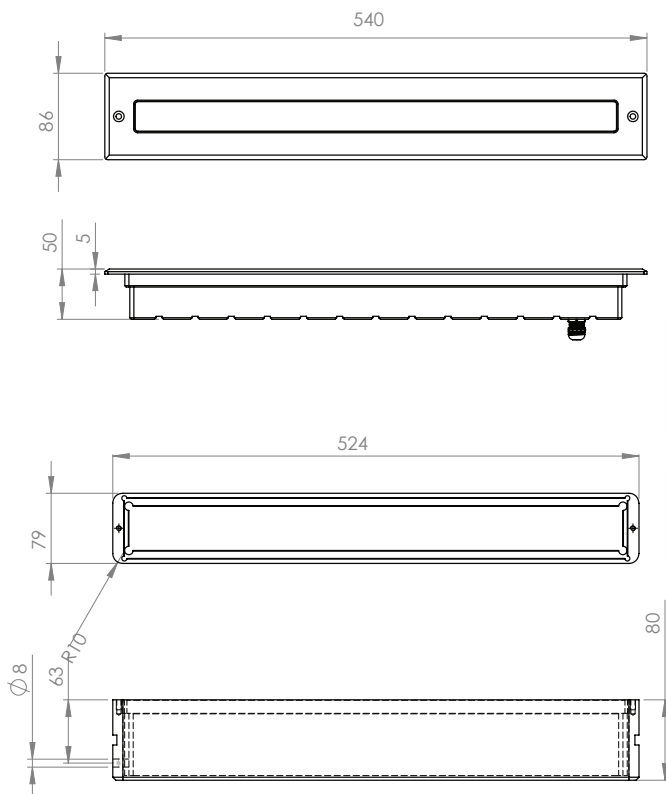
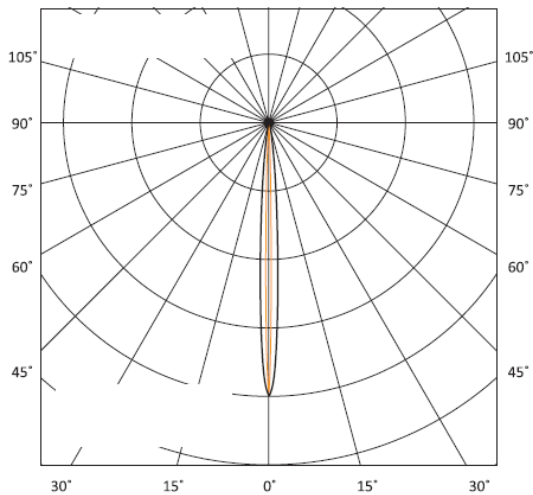
Control Gear Fairchild Technology

LED Module High-power LEDs on metal-core PCB.

Collimating lens made of optical polymer/pmma

Anti-Glare Option

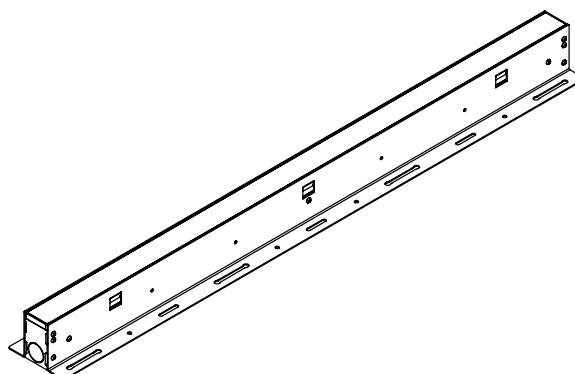
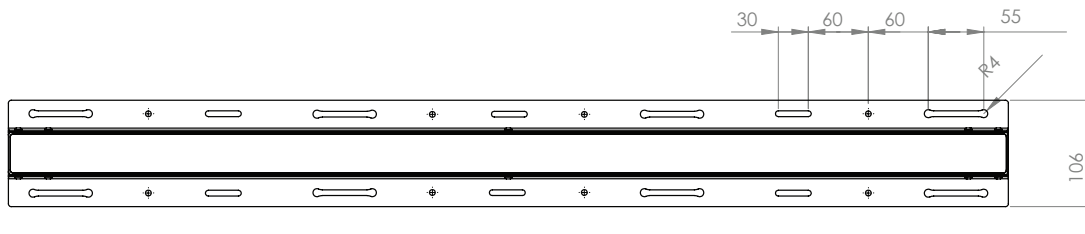
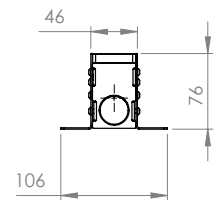
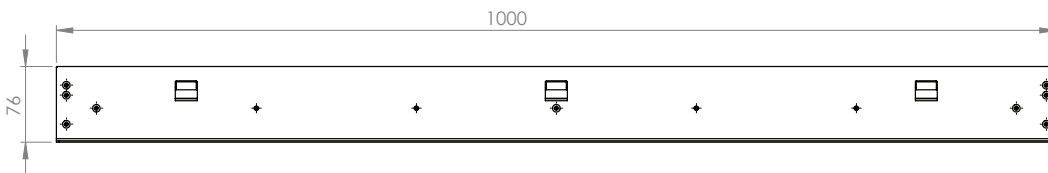
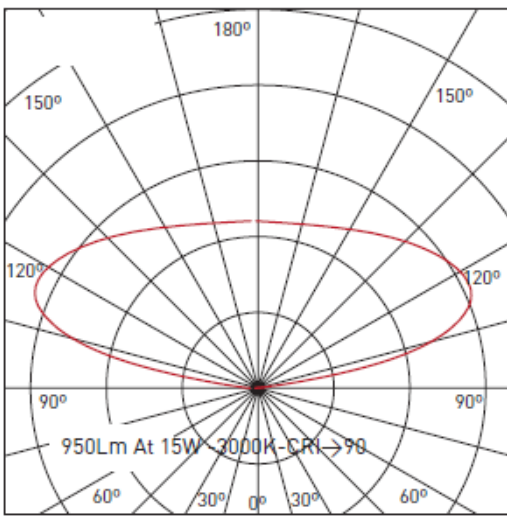
Electrical Protection EMC, inrush current Electrical Class 3

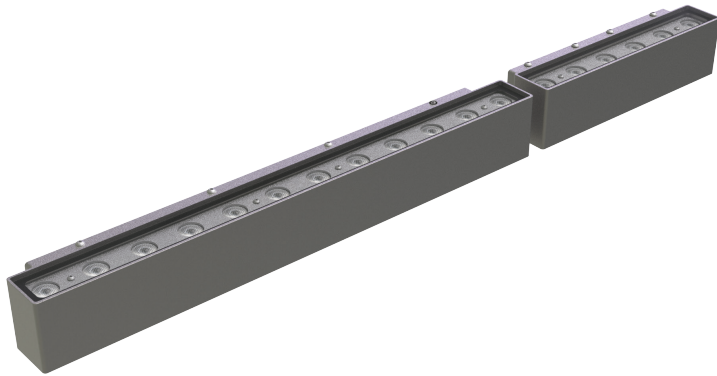




Linear Light LP-SS6087

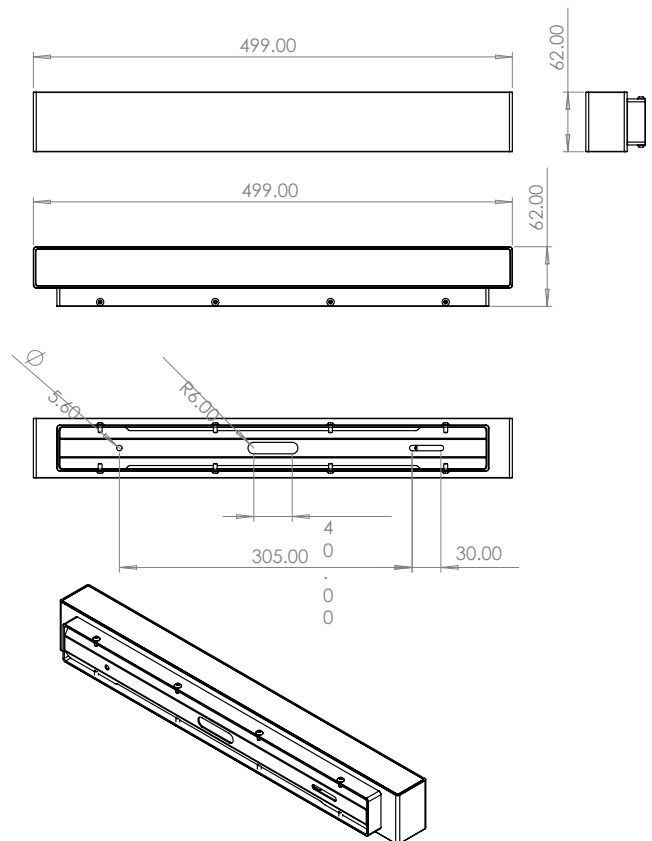
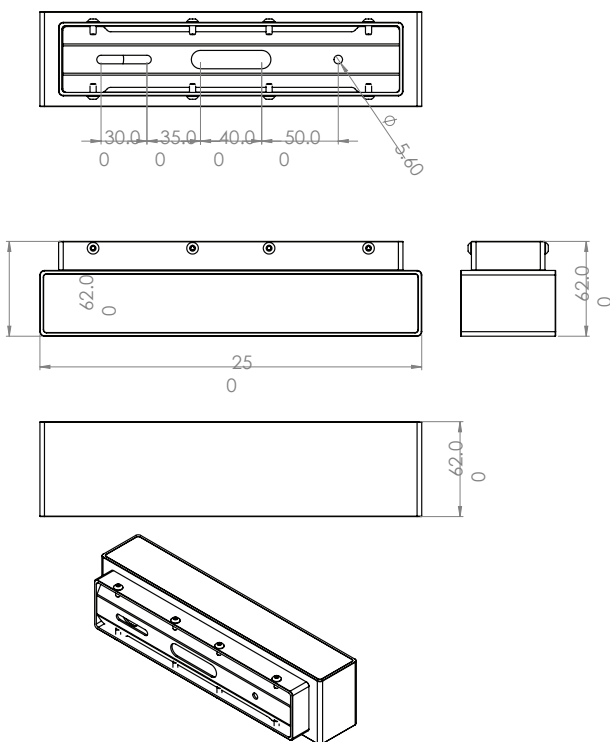
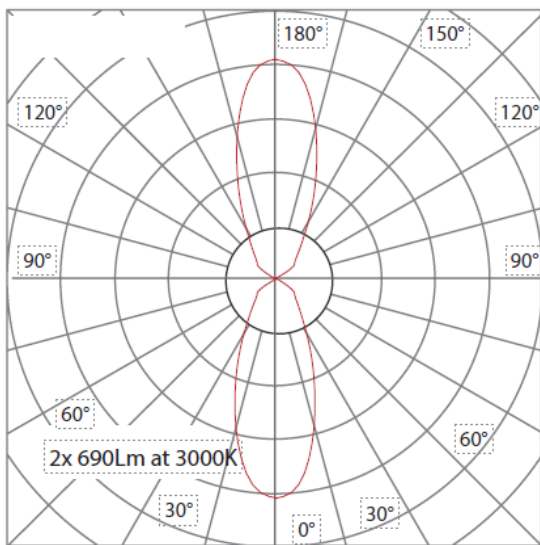
Dimension: L600mm xW86mm x H75 mm
 Input Voltage: 12VDC
 Power consumption: Max 24W
 Luminous Flux: 1130Lm at 3000K, 8°, 18W
 Brand of LEDs: LED CREE
 Color: RGB (Single color; 2200-6500K)
 Beam Angle: 8°(5°, 8°, 15°, 24°, 36°, 60°, 90°, 10°x90°)
 Function Dimmer: PWM on Power
 Material: Full Stainless 316L
 Finishing (Color housing): Stainless
 IP Class: 68
 Electrical Class: III
 LED lifetime: 50.000hrs
 Lens: Clear Cellular Sand
 Material PMMA with UV protection
 Standards: +EMC protection,+IEC 62031 LED modules for general lighting Safety specifications
 Control Gear Fairchild Technology
 LED Module High-power LEDs on metal-core PCB.
 Collimating lens made of optical polymer/pmma Anti-Glare Option
 Electrical Protection EMC, inrush current Electrical Class 3

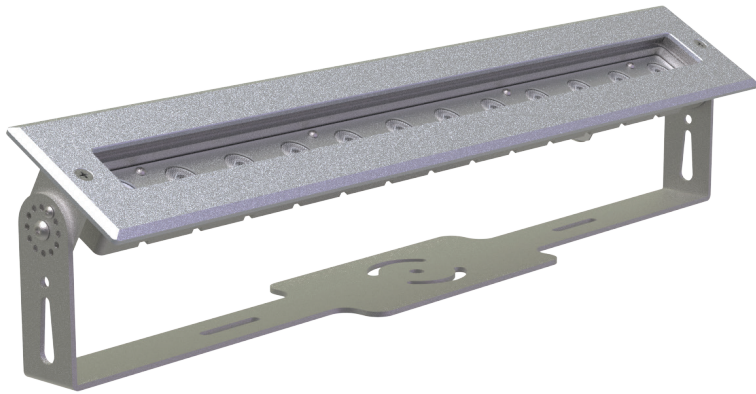




Linear Light LP-TS2566

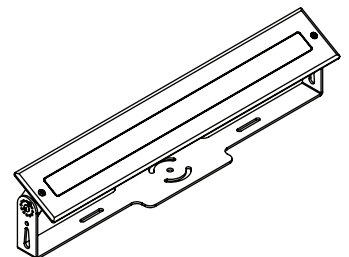
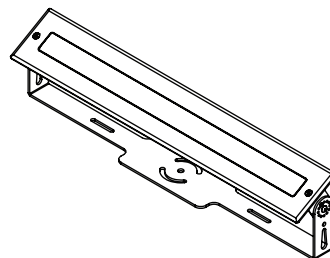
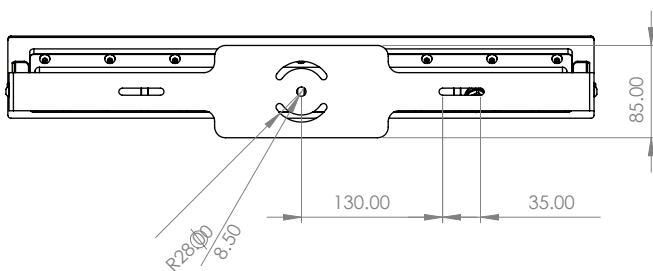
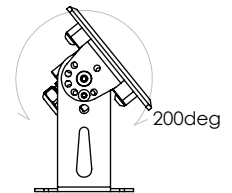
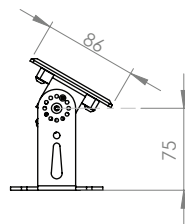
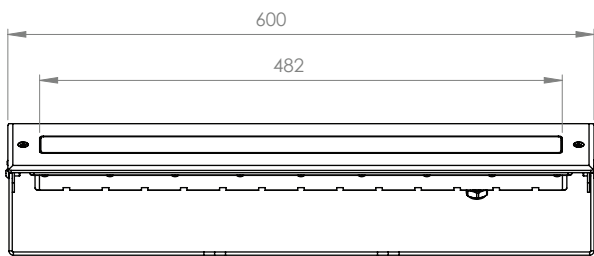
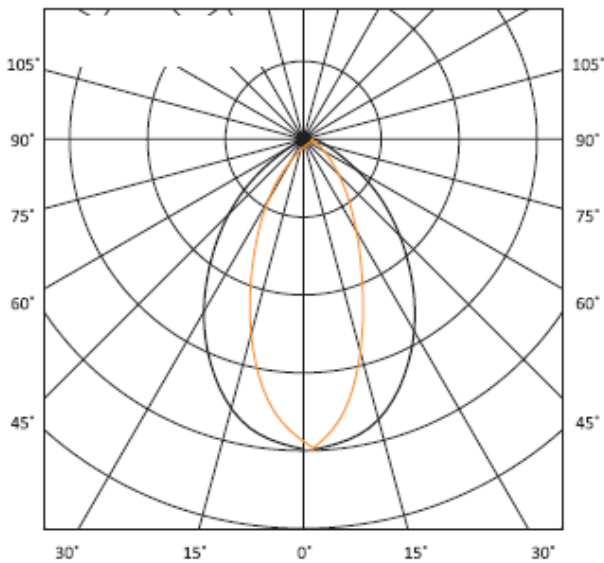
Dimension: 250mm x 62mm x 62mm
 Input Voltage: 110-240VAC (43-60Hz)
 Power consumption: Double(6W, 9W, 12W);
 Single(6W, 9W, 12W)
 Luminous Flux: 2x 890Lm x 3000, K
 Brand of LEDs: LED CREE
 Color: 3000K - CRI > 80 (Orther color: 2700K - 6000K)
 Beam Angle: Up=24°-Down = 24°(15°, 24°, 36°, 45°, 60°, 90°)
 Function Dimmer: Option
 Finishing (Color housing): Anodizing Topology
 IP Class: 65
 Electrical Class: I
 LED lifetime: 50.000hrs
 Lens: Clear Cellular Sand
 Material PMMA with UV protection
 Standards: +EMC protection,+IEC 62031 LED modules for general lighting Safety specifications,+IEC 60598 Luminaires – Parts 1+2:General requirements particular requirementsand tests
 Control Gear Fairchild Technology
 LED Module High-power LEDs on metal-core PCB.
 Collimating lens made of optical polymer/pmma
 Anti-Glare Option
 Electrical Protection EMC, inrush current Electrical Class 3





Linear Light LP-MS6087

Dimension: L600mm xW86mm x H75 mm
 Input Voltage: 12VDC
 Power consumption: Max 24W
 Luminous Flux: 1130Lm at 3000K, 8°, 18W
 Brand of LEDs: LED CREE
 Color: RGB (Single color; 2200-6500K)
 Beam Angle: 8°(5°, 8°,15°,24°,36°,60°,90°,10°x90°)
 Function Dimmer: PWM on Power
 Material: Full Stainless 316L
 Finishing (Color housing): Stainless
 IP Class: 68
 Electrical Class: III
 LED lifetime: 50.000hrs
 Lens: Clear Cellular Sand
 Material PMMA with UV protection
 Standards: +EMC protection,+IEC 62031 LED modules for general lighting Safety specifications
 Control Gear Fairchild Technology
 LED Module High-power LEDs on metal-core PCB.
 Collimating lens made of optical polymer/pmma Anti-Glare Option
 Electrical Protection EMC, inrush current Electrical Class 3

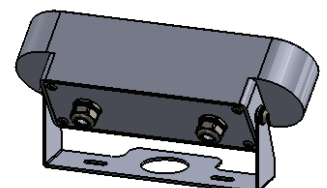
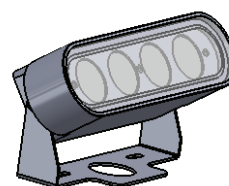
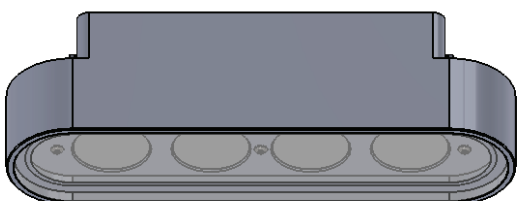
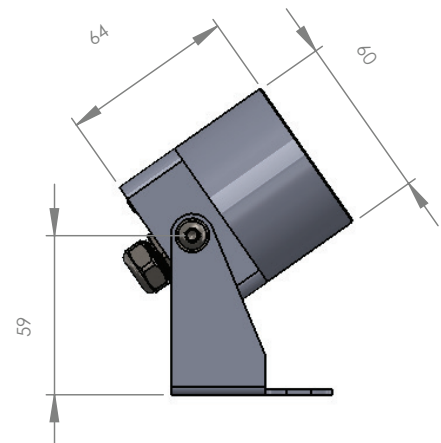
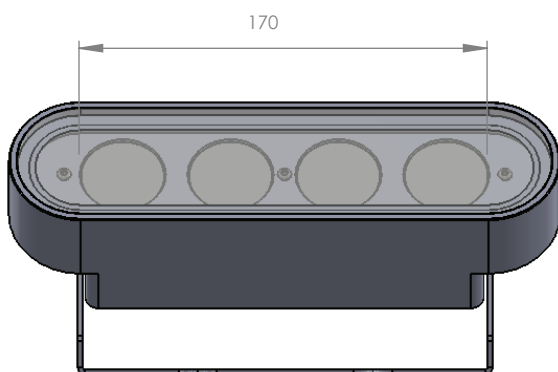
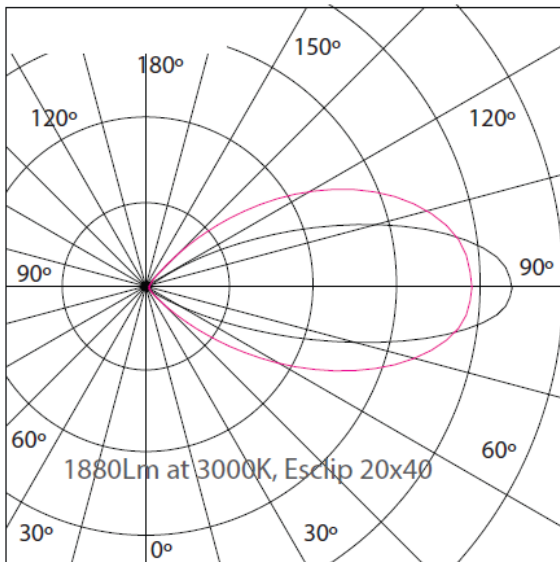


LP-HAG662



Facade LP-HAG662

Dimension: 60 x 64 x 230 mm
 Input Voltage: 24-48VDC; 110-240VAC(43-60Hz)
 Power consumption: Max 20W
 Luminous Flux: Series
 Brand of LEDs: LED CREE
 Color: 3000K (Single White, Blue Roya), RGB, RGBW
 Beam Angle: 12°(5°, 10°, 15°, 20°, 30°, 45°, 60°, 75°, Eclipse)
 Function Dimmer: Option
 Material: Aluminium
 Finishing (Color housing): Anodizing
 IP Class: 66
 Electrical Class: III for 24-48VDC; I for 100-240VAC(43-60Hz)
 LED lifetime: 50.000hrs
 Lens: Clear Cellular Sand:
 Material PMMA with UV protection
 Standards: +EMC protection,+IEC 62031 LED modules for general lighting Safetyspecifications,+IEC 60598 Luminaires – Parts 1+2: General requirements particular requirement sand tests
 Control Gear Fairchild Technology
 LED Module High-power LEDs on metal-core PCB. Collimating lens made of optical polymer/pmma
 Anti-Glare Option
 Electrical Protection EMC, inrush current
 Electrical Class 3

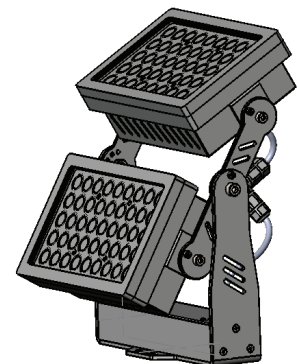
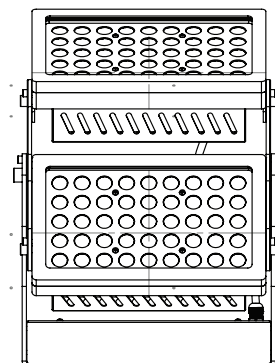
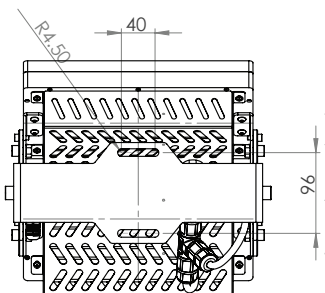
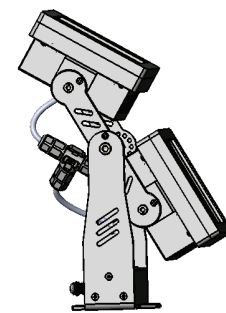
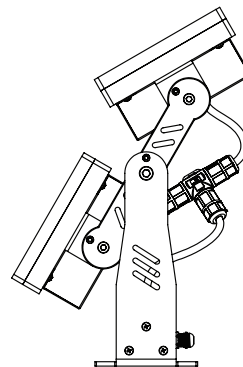
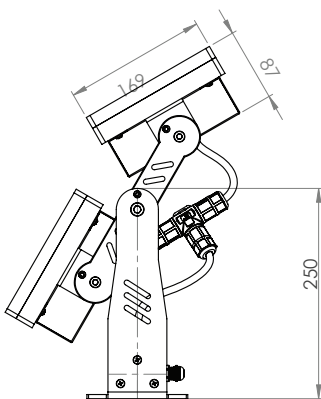
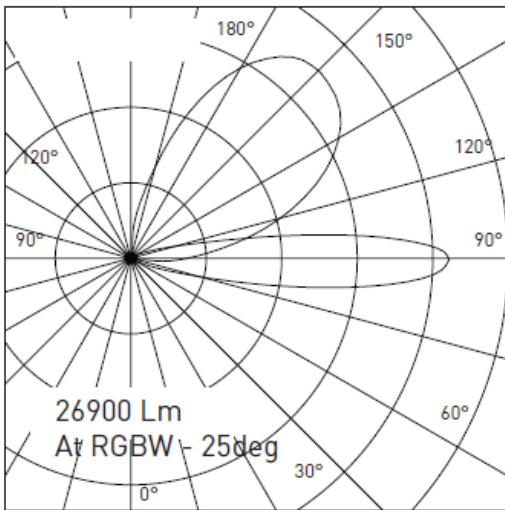


LP-NATA25



Facade LP-NATA25

Dimension: 250mm x 169mm x 87mm
Input Voltage: 220VAC (43-60Hz)
Power Consumption: Max Down 250W + Max Up200W
Luminous Flux: 26900Lm
Brand of LED : LED CREE
Color: 3000K - CRI>90
(2400-5500K, Single Color, RGB, RGBW)
Angle: 25°(5°, 10°, 15°, 24°, 36°, 45°, 60°, 90°)
Function: Option
Material: Anodized Aluminium
Finishing (Color housing): Anode - Black
IP Class: 66
Electrical Class: I
LED lifetime: 50.000hrs
Lens: Clear Cellular Sand:
Material PMMA with UV protection
Standards: +EMC protection,+IEC 62031 LED modules for general lighting Safetyspecifications,+IEC 60598 Luminaires – Parts 1+2: General requirements particular requirement sand tests
Control Gear Fairchild Technology
LED Module High-power LEDs on metal-core PCB. Collimating lens made of optical polymer/pmma
Anti-Glare Option
Electrical Protection EMC, inrush current
Electrical Class 3

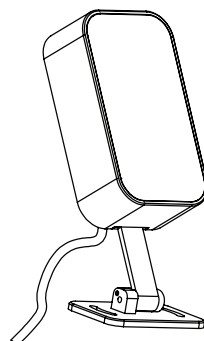
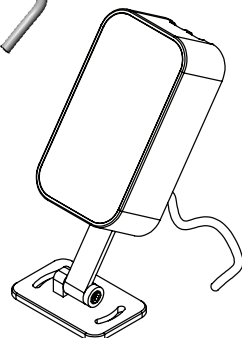
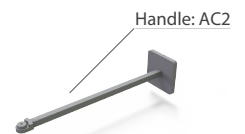
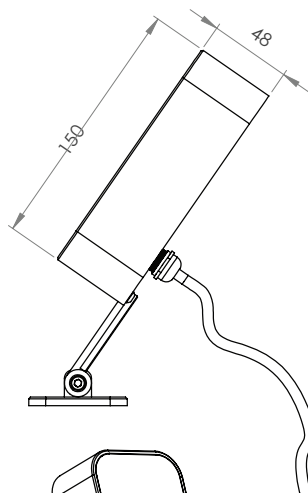
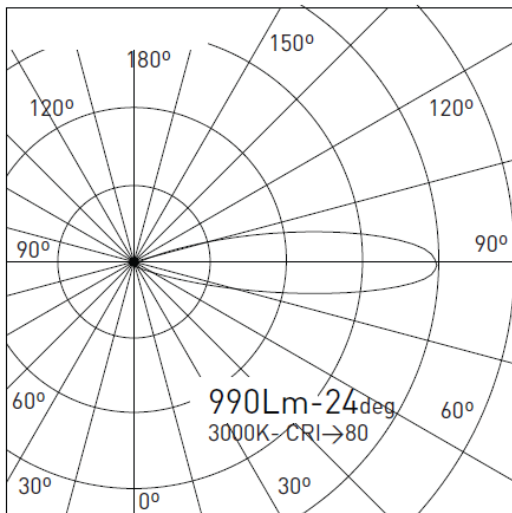


LP-S108415

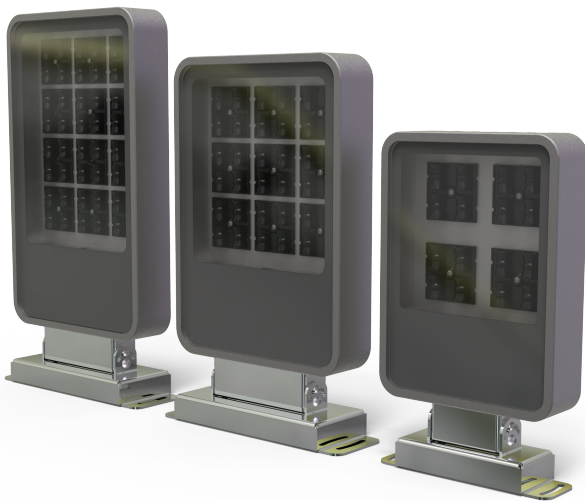


Facade LP-S108415

Dimension: 84mm x 48mm x L150mm
 Input Voltage: (24VDC/48VDC) / 110-240VAC(43-60Hz)
 Power consumption: 10W
 Luminous Flux: 990Lm at 3000K, CRI>90; 24°
 Brand of LEDs: LED CREE
 Color: Single White (2200-6000K), Blue Roya, RGBW
 Beam Angle: 24°(3°, 10°, 24°, 36°, 60°, 20°x40°)
 Function Dimmer: Option
 Material: Aluminium
 Finishing (Color housing): Anodizing Topology
 IP Class: 66
 Electrical Class: III
 LED lifetime: 50.000hrs
 Lens: Clear Cellular Sand:
 Material PMMA with UV protection
 Standards: +EMC protection,+IEC 62031 LED modules for general lighting Safetyspecifications,+IEC 60598 Luminaires – Parts 1+2: General requirements particular requirement sand tests
 Control Gear Fairchild Technology
 LED Module High-power LEDs on metal-core PCB. Collimating lens made of optical polymer/pmma
 Anti-Glare Option
 Electrical Protection EMC, inrush current
 Electrical Class 3



LP-SW4912



Facade LP-SW4912

Dimension: 4Blocks (48x171x293mm);
 9Blocks (48x211x362mm)
 12Blocks (48x211x414mm)

Input Voltage: 24-48VDC; 110-240VAC(43-60Hz)

Power consumption: 4Blocks (32- 64W); 9Blocks (72- 120W),
12Blocks (108- 240W)

Luminous Flux: Series

Brand of LEDs: LED CREE

Color: 3000K (Single White, Blue Roya), RGB, RGBW

Beam Angle: 25°(5°, 10°, 15°, 20°, 30°, 45°, 60°, 75°, Esclip)

Function Dimmer: Option

Material: Aluminium

Finishing (Color housing): Anodizing

IP Class: 66

Electrical Class: III for 24-48VDC; I for 100-240VAC(43-60Hz)

LED lifetime: 50.000hrs

Lens: Clear Cellular Sand:

Material PMMA with UV protection

Standards: +EMC protection,+IEC 62031 LED modules for
general lighting Safetyspecifications,+IEC 60598 Luminaires –

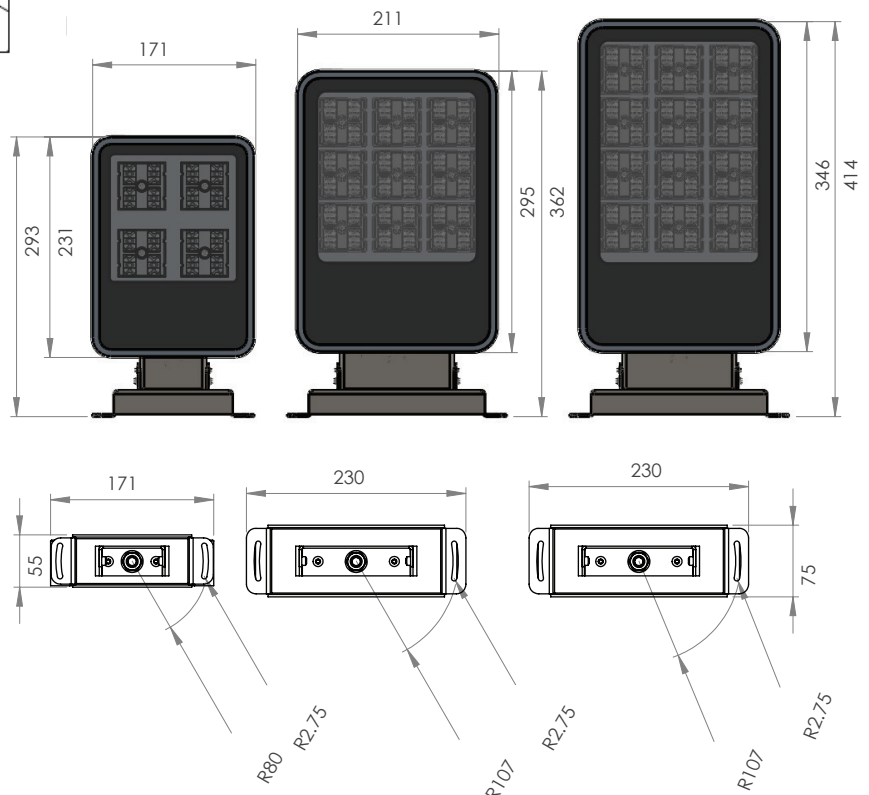
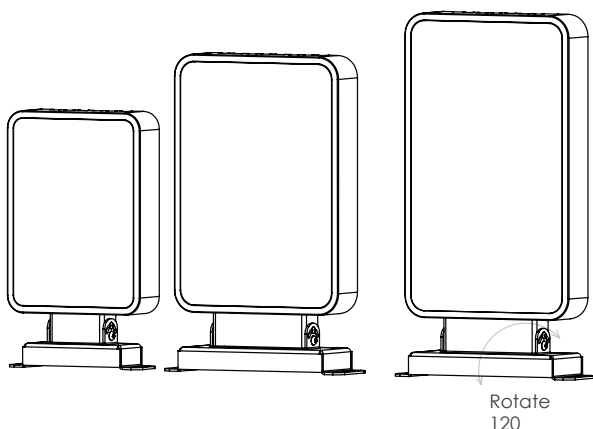
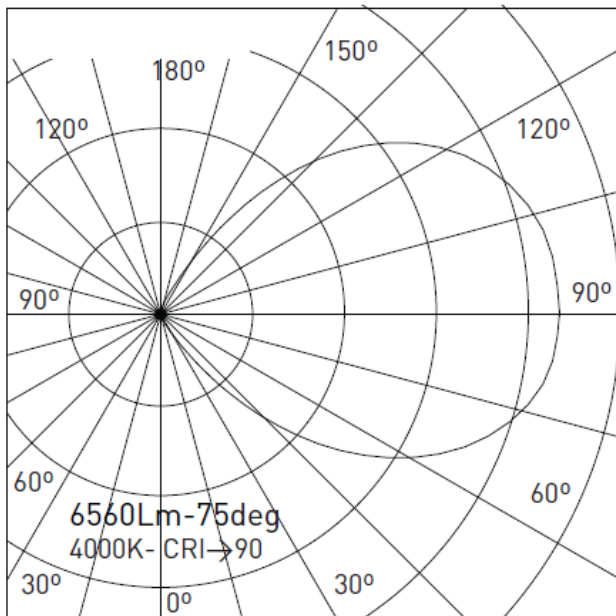
Parts 1+2: General requirements
particular requirement sand tests

Control Gear Fairchild Technology

LED Module High-power LEDs on metal-core PCB. Collimating
lens made of optical polymer/pmma

Anti-Glare Option

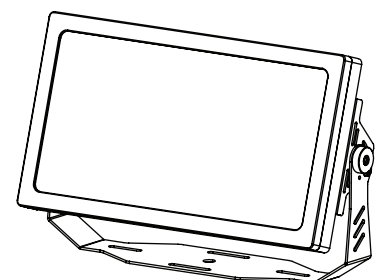
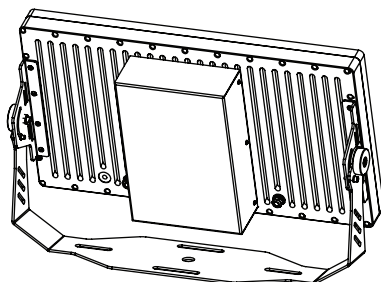
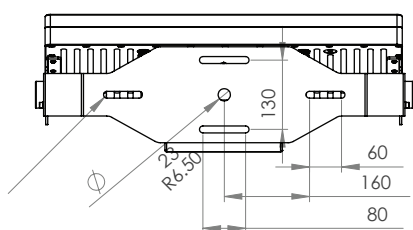
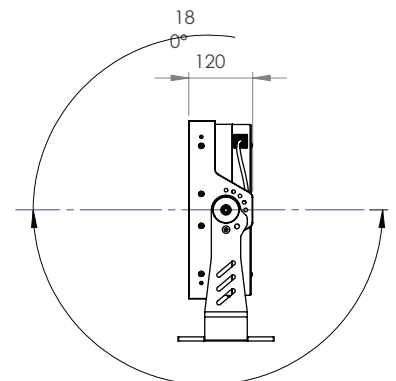
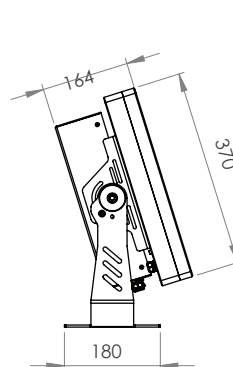
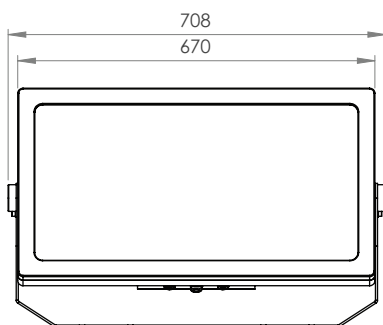
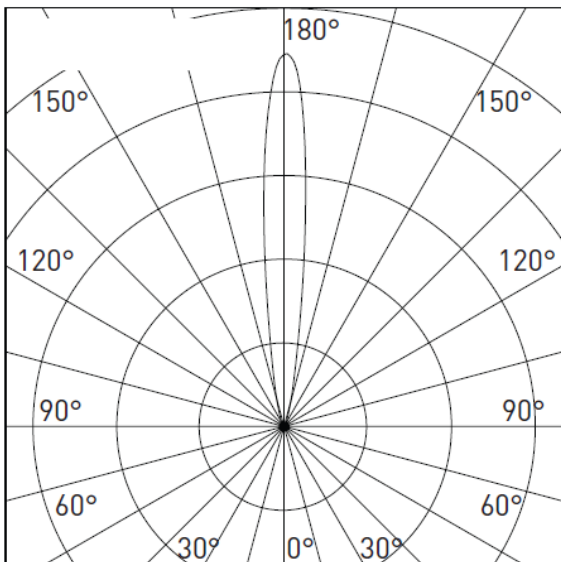
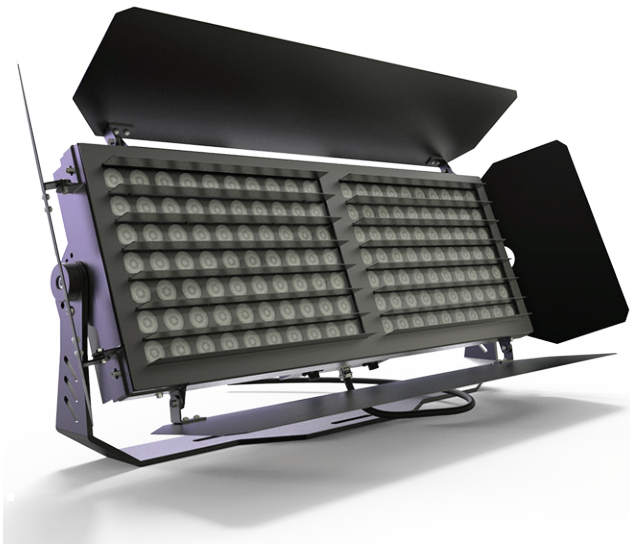
Electrical Protection EMC. inrush current



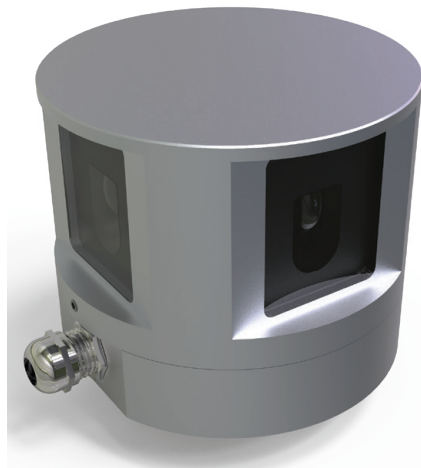
LP-HLY560W

FacadeLP-HLY560W

Dimension: L948mm x W120mm x H413mm
 Input Voltage: 110-240VAC (43-60Hz)
 Power consumption: 560W
 Luminous Flux: 36400 at RGBW(W=5000K)
 Brand of LEDs: LED CREE
 Color: RGBW(W=5000K)
 Beam Angle: 20°x80° (3, 6, 10, 15, 24, 36, 45, 60, 20x40, 30x45)
 Function Dimmer: None
 Material: Aluminium
 Finishing (Color housing): Black
 IP Class: 65
 Electrical Class: I; Inrush Current Protection, Lightning Protection
 LED lifetime: 50.000hrs
 Lens: Clear Cellular Sand:
 Material PMMA with UV protection
 Standards: +EMC protection,+IEC 62031 LED modules for general lighting Safetyspecifications,+IEC 60598 Luminaires – Parts 1+2: General requirements particular requirement sand tests
 Control Gear Fairchild Technology
 LED Module High-power LEDs on metal-core PCB. Collimating lens made of optical polymer/pmma
 Anti-Glare Option
 Electrical Protection EMC, inrush current
 Electrical Class 3



LP-CAD12870



4 Way Light LP-CAD12870

Dimension: \varnothing 128mm x H70mm

Input Voltage: 24VDC/48VDC/100-240VAC (43-60Hz)

Power consumption: 4 x 5W (Max 15W/Door)

Luminous Flux: 4 x 490Lm (490/Door)

Brand of LEDs: LED CREE

Color: 3000K - CRI: >80 (Orther color: 2700 - 6000K; RGB; RGBW-(W-4000K)

Angle: 6°, 10°, 15°

Function Dimmer: For RGB- DMX512 with auto setting (iDMX512) 12bits Resolution

Material: Aluminium

Finishing (Color housing): Black

IP Class: 65

Electrical Class: III for 24VDC/48VDC; I for 100-240VAC

LED lifetime: 50.000hrs

Lens: Clear

Cellular Sand: Material PMMA with UV protection Standards: +EMC protection,+IEC 62031 LED modules for general lighting

Safetyspecifications,+IEC 60598 Luminaires – Parts 1+2:

General requirements

particular requirement sand tests

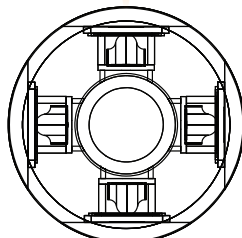
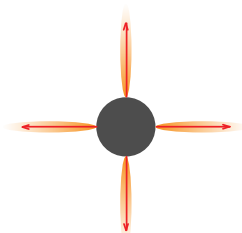
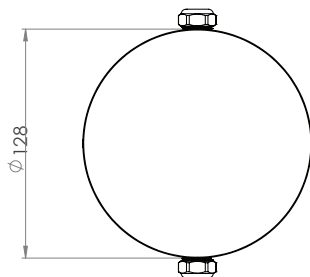
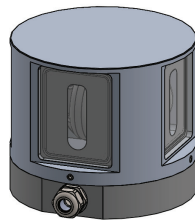
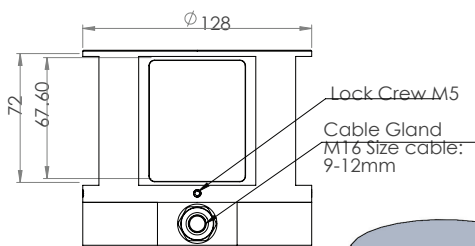
Control Gear Fairchild Technology

LED Module High-power LEDs on metal-core PCB. Collimating lens made of optical polymer/pmma

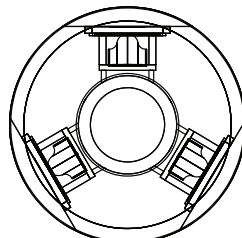
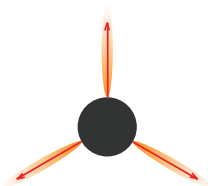
Anti-Glare Option

Electrical Protection EMC, inrush current

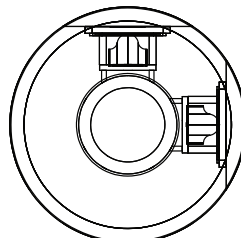
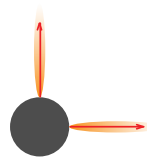
Electrical Class 3



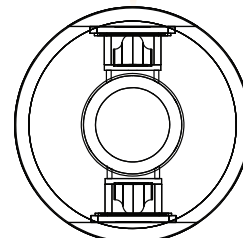
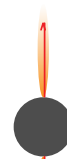
Model 4



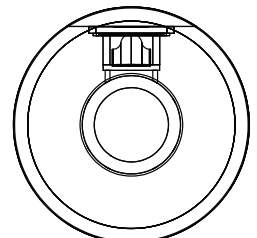
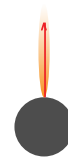
Model 3



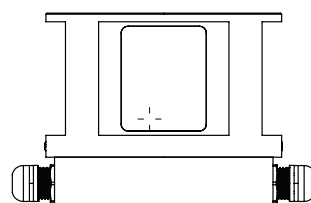
Model 2c



Model 2i



Model 1



LP-T6S1234

Uplight LP-T6S1234

Dimension: $\varnothing 120\text{mm} \times \text{H}34\text{mm}$

Input Voltage: 12VDC/24VDC

Brightness: Series

Brand of LED: Cree

Power Consumption: Series (6W/12W)

Color: 3000K(2400-5500K, Single Color, RGB, RGBW)

Angle: 24° (5°, 10°, 15°, 24°, 36°, 45°, 60°, 90°)

Function: Option

Material: Stainless 316

Finishing (Color housing): Stainless

Electrical Class: III

IP Class: 68

LED lifetime: 50.000hrs

Lens: Clear Cellular Sand:

Material PMMA with UV protection

Standards: +EMC protection,+IEC 62031 LED modules for general lighting Safetyspecifications,+IEC 60598 Luminaires –

Parts 1+2: General requirements

particular requirement sand tests

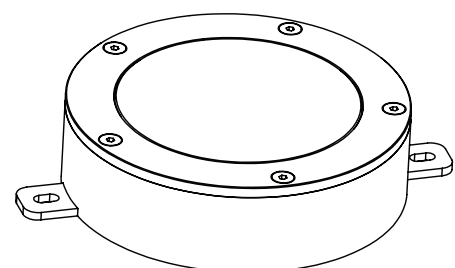
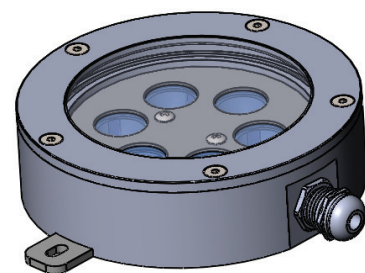
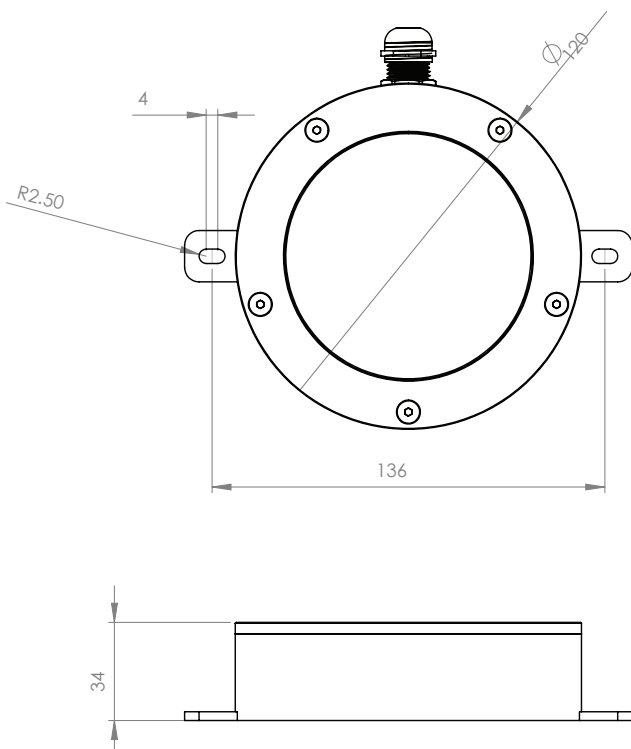
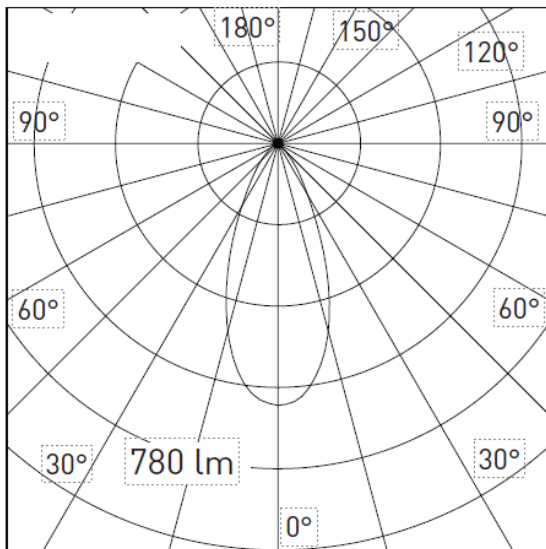
Control Gear Fairchild Technology

LED Module High-power LEDs on metal-core PCB. Collimating lens made of optical polymer/pmma

Anti-Glare Option

Electrical Protection EMC, inrush current

Electrical Class 3



LP-STEP-M

Steplight LP-STEP-M

Dimension: M(180x67x66mm)

Input Voltage: 24VDC

Power consumption: M=6W

Luminous Flux: 330Lm at 3000K, Asymmetric, 6W

Brand of LEDs: LED CREE

Color: 3000K, CRI>80, 2 Step (Orther color contact Us)

Beam Angle: Special

Function Dimmer: None

Material: Aluminium

Finishing (Color housing): Anode Gray

IP Class: 66

Electrical Class: I

LED lifetime: 50.000hrs

Lens: Clear

Cellular Sand: Material PMMA with UV protection Standards:
 +EMC protection,+IEC 62031 LED modules for general lighting
 Safetyspecifications,+IEC 60598 Luminaires – Parts 1+2:

General requirements

particular requirement sand tests

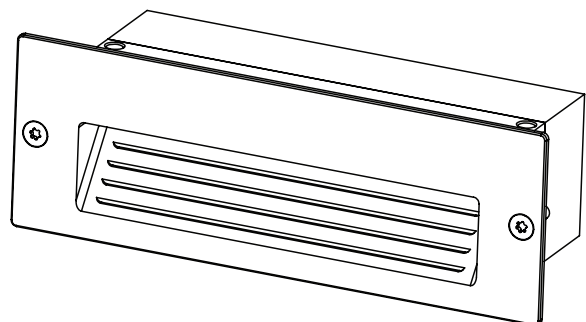
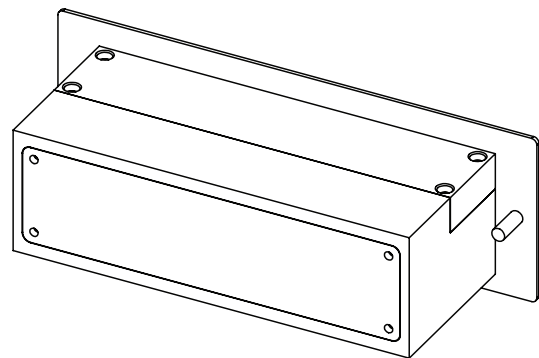
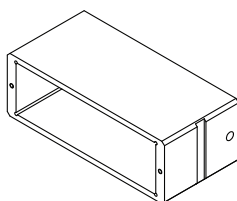
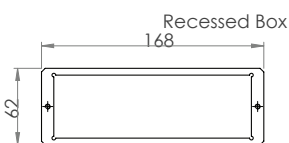
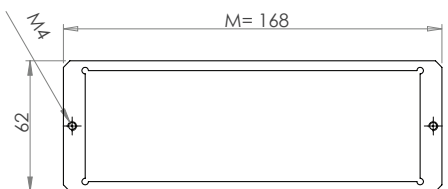
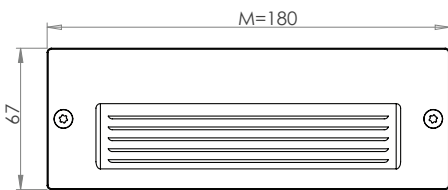
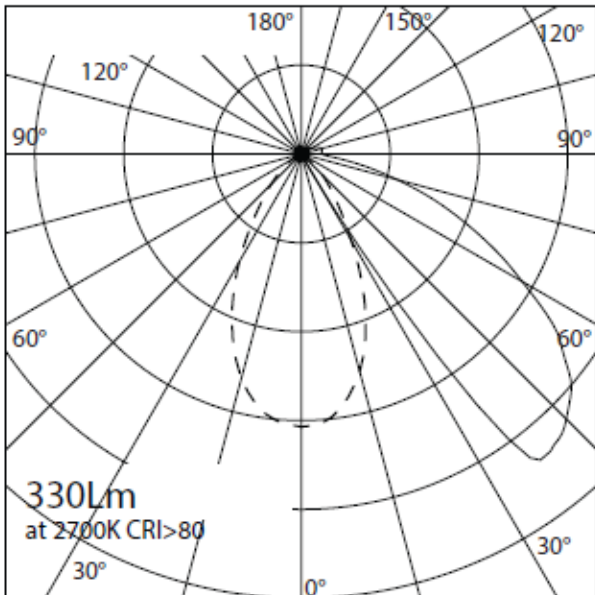
Control Gear Fairchild Technology

LED Module High-power LEDs on metal-core PCB. Collimating
 lens made of optical polymer/pmma

Anti-Glare Option

Electrical Protection EMC, inrush current

Electrical Class 3



LP-STEP-S



Steplight LP-STEP-S

Dimension: 50mm x L112mm
 Input Voltage: 24VDC
 Power consumption: 3W
 Luminous Flux: 310 Lm
 Brand of LEDs: LED CREE
 Color: 3000K - CRI: >80
 Beam Angle: Diffuser
 Function Dimmer: PWM On Power
 Material: Aluminium
 Finishing (Color housing): Black
 IP: 65

Class: III

LED lifetime: 50.000hrs

Lens: Clear

Cellular Sand: Material PMMA with UV protection Standards:
 +EMC protection,+IEC 62031 LED modules for general lighting
 Safetyspecifications,+IEC 60598 Luminaires – Parts 1+2:

General requirements

particular requirement sand tests

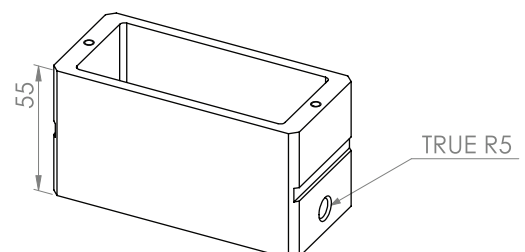
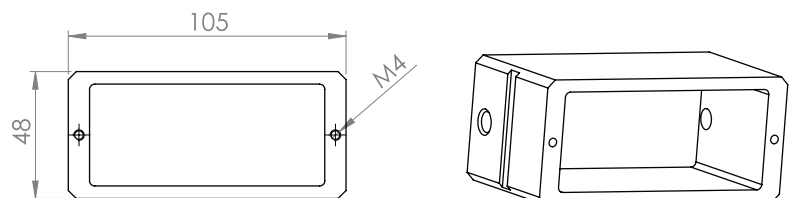
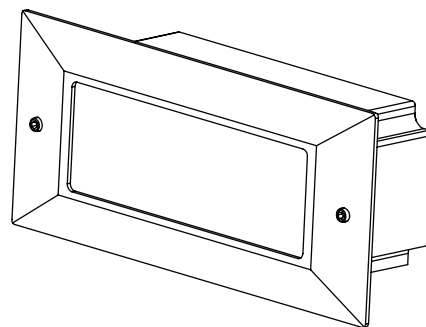
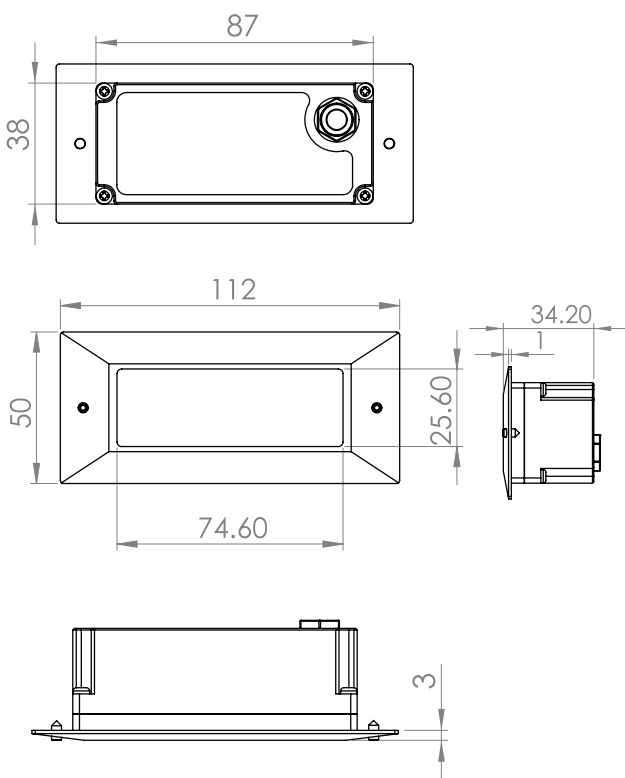
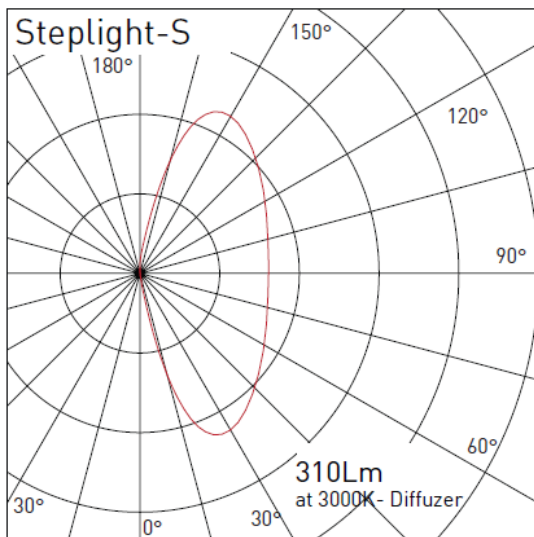
Control Gear Fairchild Technology

LED Module High-power LEDs on metal-core PCB. Collimating lens made of optical polymer/pmma

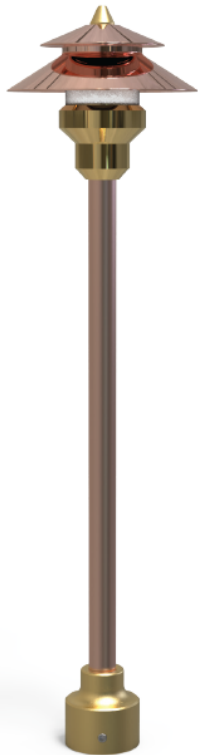
Anti-Glare Option

Electrical Protection EMC, inrush current

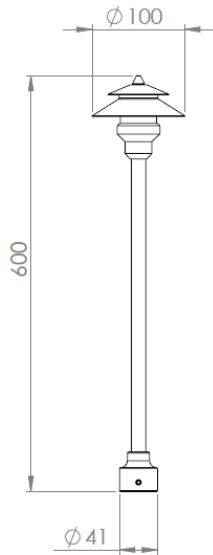
Electrical Class 3



LPBH1060 BOLLARD HAT LIGHT



CREE    IP65



BOLLARD HAT LIGHT

Bollard Hat Light has been designed to achieve the best possible light and nothing has been added to the essence of its function. Its formal simplicity, mechanical robustness and quality of light distribution make it versatile for every application context. The optical system offers a continuous and even light emission, free of shadow zones and able to illuminate also the surface around the base of the pole. The clear side panels of these garden lamp post lights lighten up your garden in no time. These panels enable lights to distribute evenly in all directions.

Lighting Area 2-4Sqmt (depending on mounting height)

Code Product: BOLLARD HAT

Dimension: $\varnothing 100\text{mm} \times 600\text{mm}$

Input Voltage: 110-240VAC(43-60Hz)

Power consumption: 9-15W

Luminous Flux: 720Lm at 15W, 3000K

Brand of LEDs: LED CREE

Color: 3000K- CRI > 85 (Single color; 2200-5500K)

Angle: Frosted Diffuser 360°

Function: None

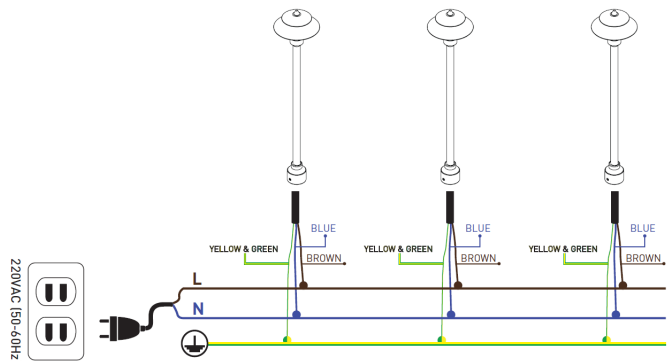
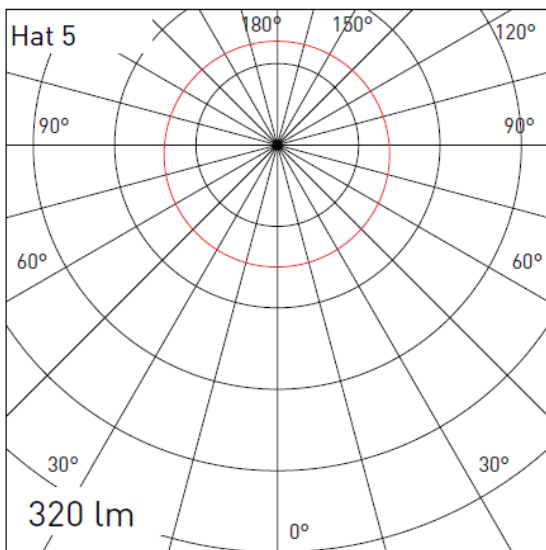
Material: Aluminium / Brass - Solid

Finishing (Color housing): Anodizing Topology

Electrical Class: I

IP Class: 65

LPBH1060 BOLLARD HAT LIGHT



LPBHE6317 BOLLARD HEKER SERIES LIGHT

BOLLARD HEKER SERIES LIGHT



CREE IP65

Bollard Heker Series Light has been designed to achieve the best possible light and nothing has been added to the essence of its function. Its formal simplicity, mechanical robustness and quality of light distribution make it versatile for every application context. The optical system offers a continuous and even light emission, free of shadow zones and able to illuminate also the surface around the base of the pole. The clear side panels of these garden lamp post lights lighten up your garden in no time. These panels enable lights to distribute evenly in all directions.

Lighting Area 2-4Sqmt (depending on mounting height)

Code Product: Heker-Series

Dimension: 63x176mm

Input Voltage: 24VDC

Power consumption: 5W

Luminous Flux: 490Lm At 2700K

Brand of LEDs: LED CREE

Color: 3000K - CRI>80 (Single Color: 2200 - 6000K, RGB)

Beam Angle: Di user

Function Dimmer: DMX512 / Option

Material: Aluminium

Finishing (Color housing): Anodizing Topology

IP Class: 66

Electrical Class: I

IK Class: 7Control Gear Fairchild Technology

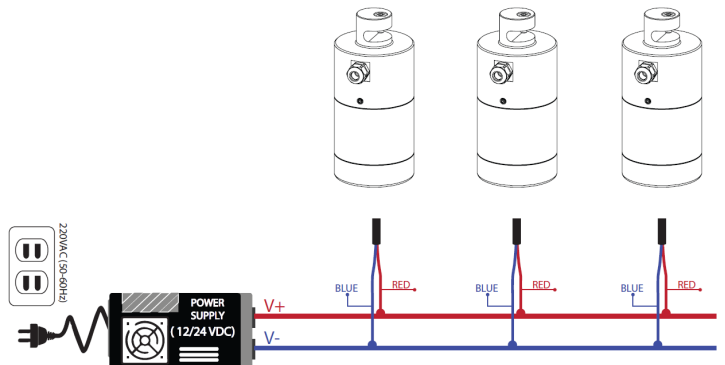
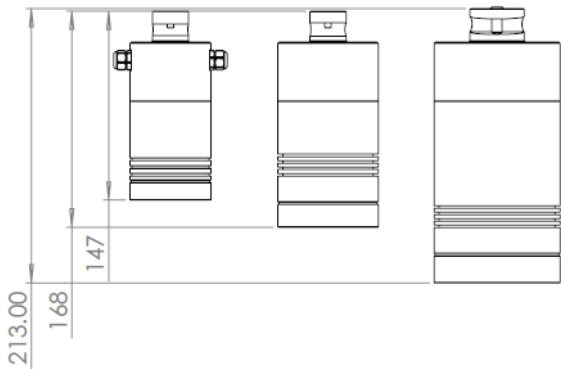
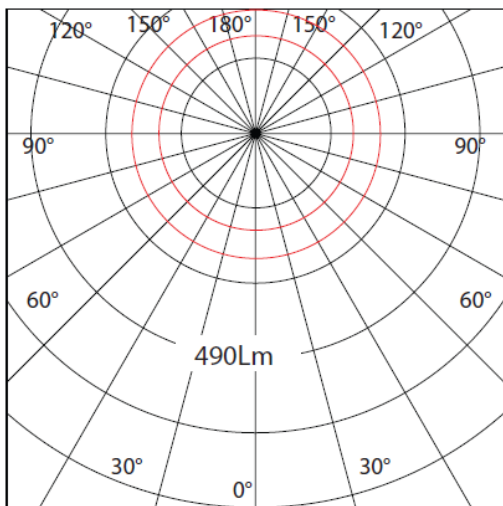
LED Module High-power LEDs on metal-core PCB.

Collimating lens made of optical polymer/pmma

Anti-Glare Option

Electrical Protection EMC, inrush current

LPBHE6317 BOLLARD HEKER SERIES LIGHT



BOLLARD KOR LIGHT

Bollard Heker Series Light has been designed to achieve the best possible light and nothing has been added to the essence of its function. Its formal simplicity, mechanical robustness and quality of light distribution make it versatile for every application context.

Lighting Area 2-4Sqmt (depending on mounting height)

Code Product: BOLLARD KOR LIGHT

Dimension: 160x160x800mm (350mm)

Input Voltage: 100-240VAC (43-60Hz)

Power consumption: 15W

Luminous Flux: Effect Light

Brand of LEDs: LED CREE

Color: 3000K, CRI>80(Other color please contact us)

Beam Angle: Effect Light

Function Dimmer: Option

Material: Aluminum

Finishing (Color housing): Black

Electrical Class: I

IP Class: 65

IK Class: 09

Control Gear Fairchild Technology

LED Module High-power LEDs on metal-core PCB.

Collimating lens made of optical polymer/pmma

Anti-Glare Option

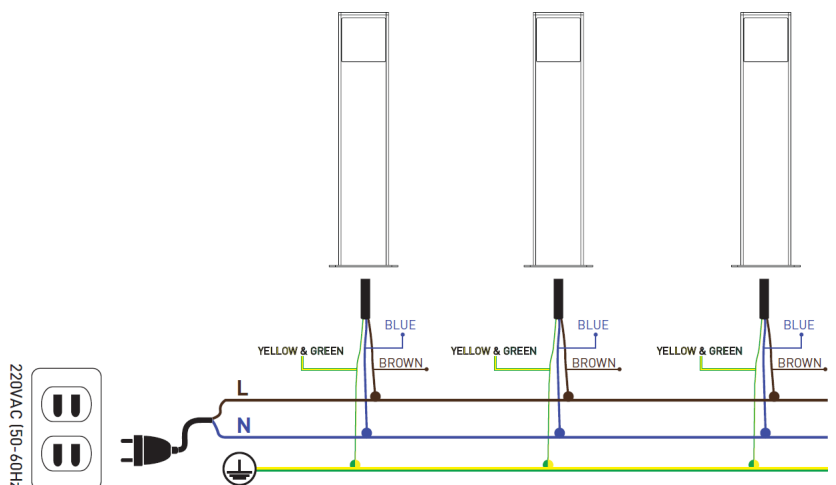
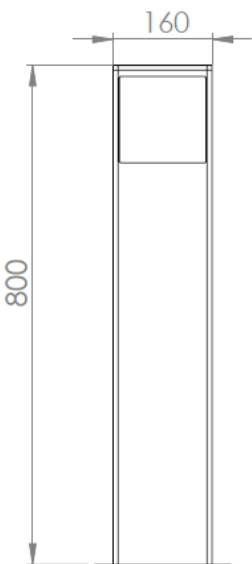
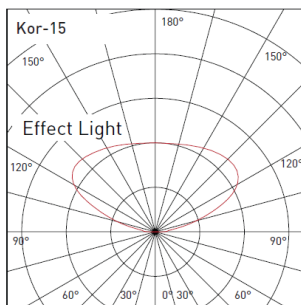
Electrical Protection EMC, inrush current

Electrical Class 3

LPBK161680 BOLLARD KOR LIGHT



CREE IP65



BOLLARD LIGHT BAMBO SERIES



Bambo has been designed to achieve the best possible light and nothing has been added to the essence of its function. Its formal simplicity, mechanical robustness and quality of light distribution make it versatile for every application context. The optical system offers a continuous and even light emission, free of shadow zones and able to illuminate also the surface around the base of the pole. The light distribution is wide and diffuse.

Lighting Area 2-4Sqmt (depending on mounting height)

Code Product: Bambo-Series

Dimension: Ø79mm x H1000mm (H is Option)

Input Voltage: 110-240VAC (50-60Hz)

Power consumption: (7,9,12)W

Luminous Flux: 720Lm at 3000K at 12W

Brand of LEDs: LED CREE

Color: 3000K - CRI: > 80 (2700 - 6000K, RGB, RGBW) Beam

Angle: Di user

Function Dimmer: Option

Material: Aluminium

Finishing (Color housing): Anodizing Topology

IP Class: 65

Control Gear Fairchild Technology

LED Module High-power LEDs on metal-core PCB.

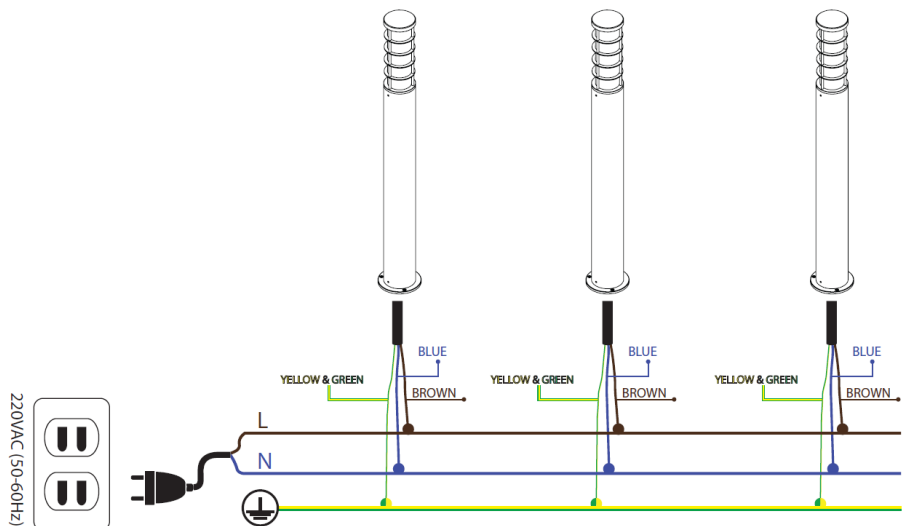
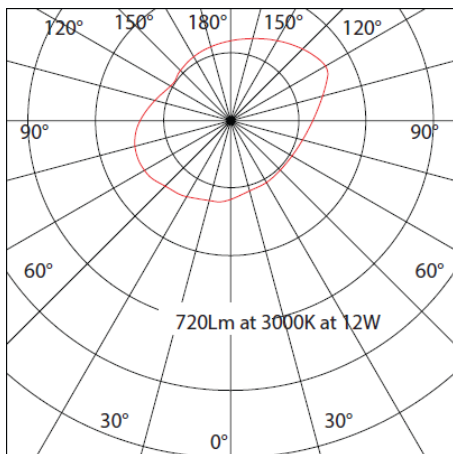
Collimating lens made of optical polymer/pmma

Anti-Glare Option

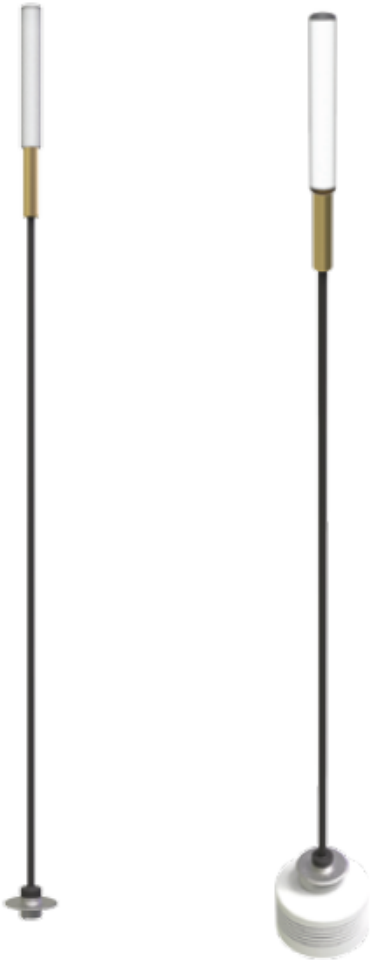
Electrical Protection EMC, inrush current

Electrical Class : IE

Make: Lume-Plus LPBB7910 BOLLARD LIGHT BAMBO SERIES



BOLLARD LIGHT CALMUS SERIES



CALMUS has been designed to achieve the best possible light and nothing has been added to the essence of its function. Its formal simplicity, mechanical robustness and quality of light distribution make it versatile for every application context. The optical system offers a continuous and even light emission, free of shadow zones and able to illuminate also the surface around the base of the pole. The light distribution is wide and diffuse. Bollard lighting provides functional lighting to guide footsteps along pathways while enhancing outdoor decor, paving the way for evening strolls or evening gatherings in the open air.

Lighting Area 2-4Sqmt (depending on mounting height)

Code Product: Calamus-3

Dimension: Ø25 x H1000mm

Input Voltage: 24VDC

Power consumption: 2W

Luminous Flux: 130Lm(Diffuzer) at 3000K CRI 80,24VDC

Brand of LEDs: LED CREE

Color: 3000K CRI 80(Single color; 2200-6000K)

Angle: Diffuser

Function Dimmer: PWM on Power

Material: Stainless 316

Finishing (Color housing): Stainless

IP Class: 68

Electrical Class: III

Control Gear Fairchild Technology

LED Module High-power LEDs on metal-core PCB.

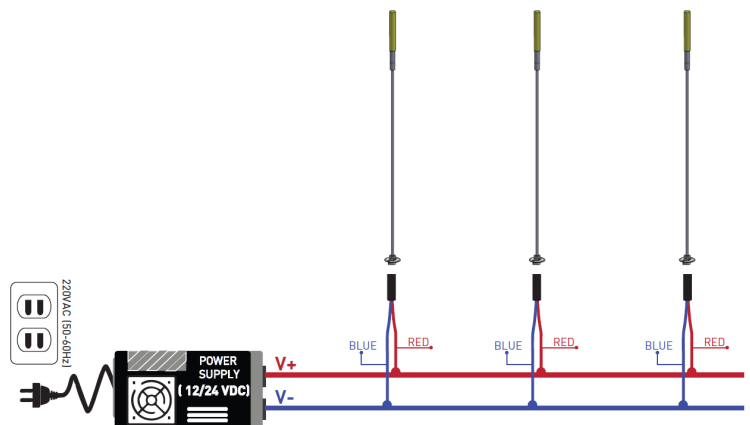
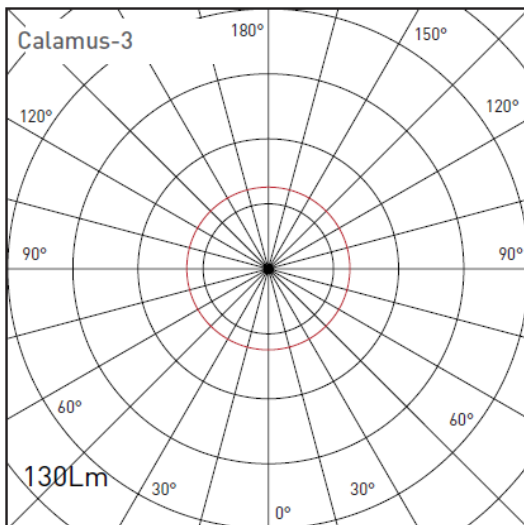
Collimating lens made of optical polymer/pmma

Anti-Glare Option

Electrical Protection EMC, inrush current

Electrical Class 3

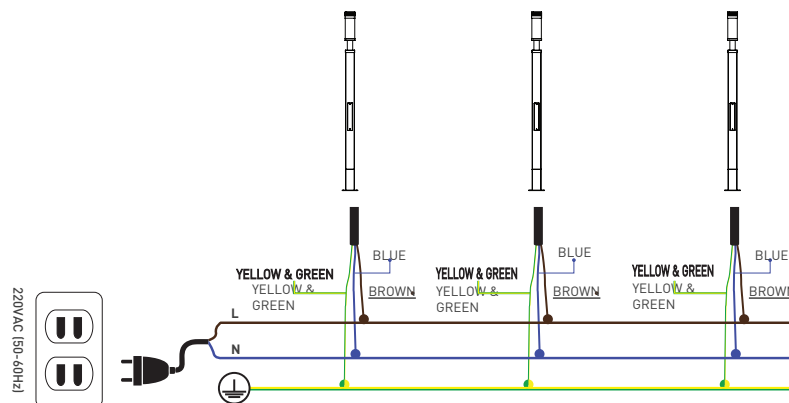
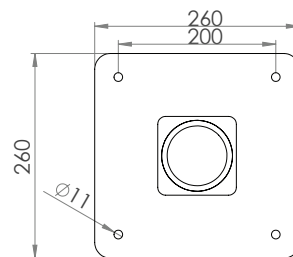
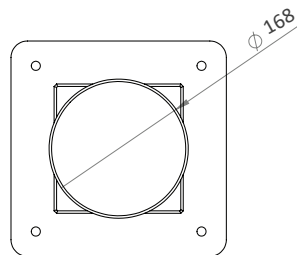
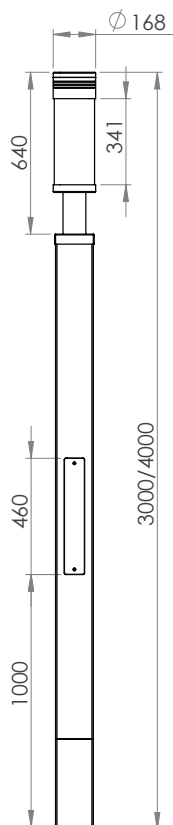
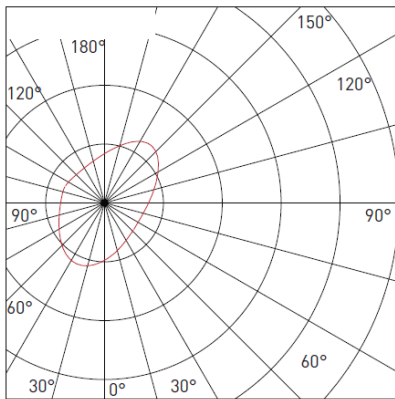
LPBC2510 BOLLARD LIGHT CALMUS SERIES



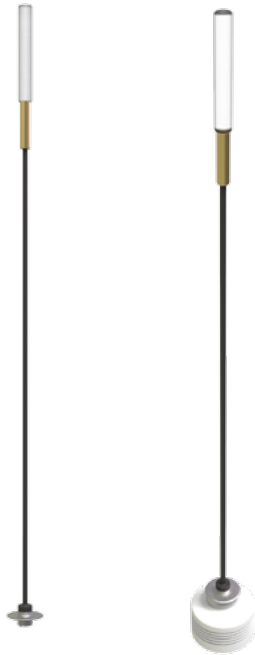


Bollard LP-TM-M35WL

Dimension: $\varnothing 168 \times 3000/4000\text{mm}$
 Input Voltage: 100-240VAC (43-60Hz)
 Power Consumption: Series (30W, 50W, 70W)
 Luminous Flux: 2400Lm at 3000K, 30W
 Brand of LED: LED CREE
 Color: 3000K; CRI >80 (Single Color, RGB, RGBW Contact us)
 Angle: Diffuser
 Function: Option
 Material: Spcc
 Finishing (Color housing): Power Coasting
 IP Class: 65
 Electrical Class: I
 LED lifetime: 50.000hrs
 Lens: Clear Cellular Sand:
 Material PMMA with UV protection
 Standards: +EMC protection,+IEC 62031 LED modules for general lighting Safetyspecifications,+IEC 60598 Luminaires – Parts 1+2: General requirements particular requirement sand tests
 Control Gear Fairchild Technology
 LED Module High-power LEDs on metal-core PCB. Collimating lens made of optical polymer/pmma
 Anti-Glare Option
 Electrical Protection EMC, inrush current
 Electrical Class 3

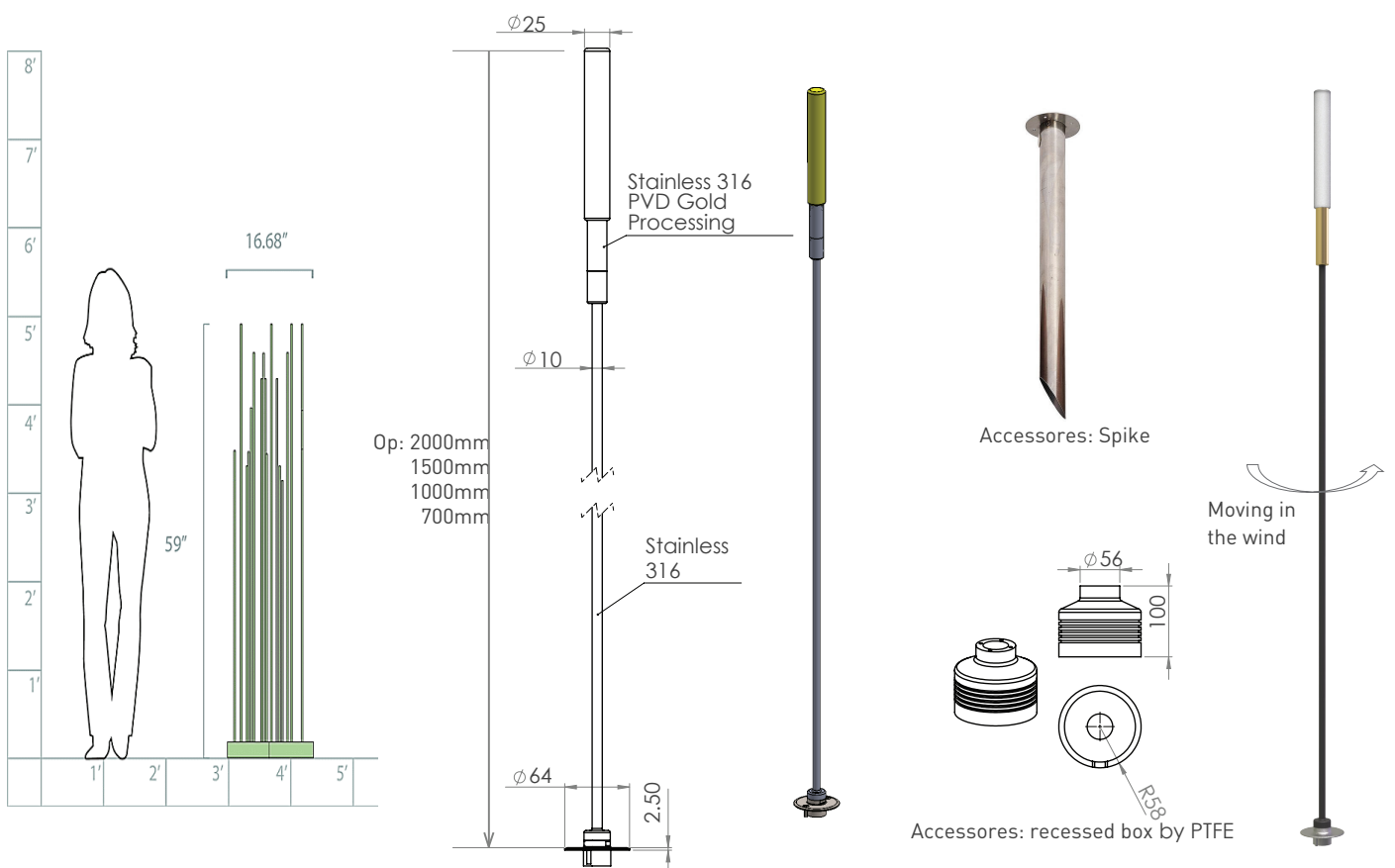
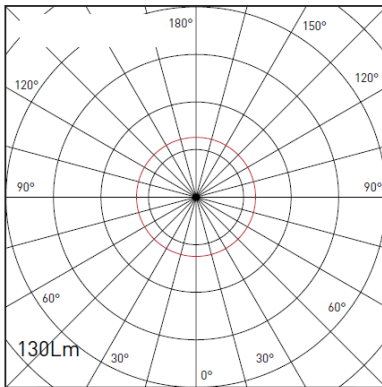


LP-TM-P3W20

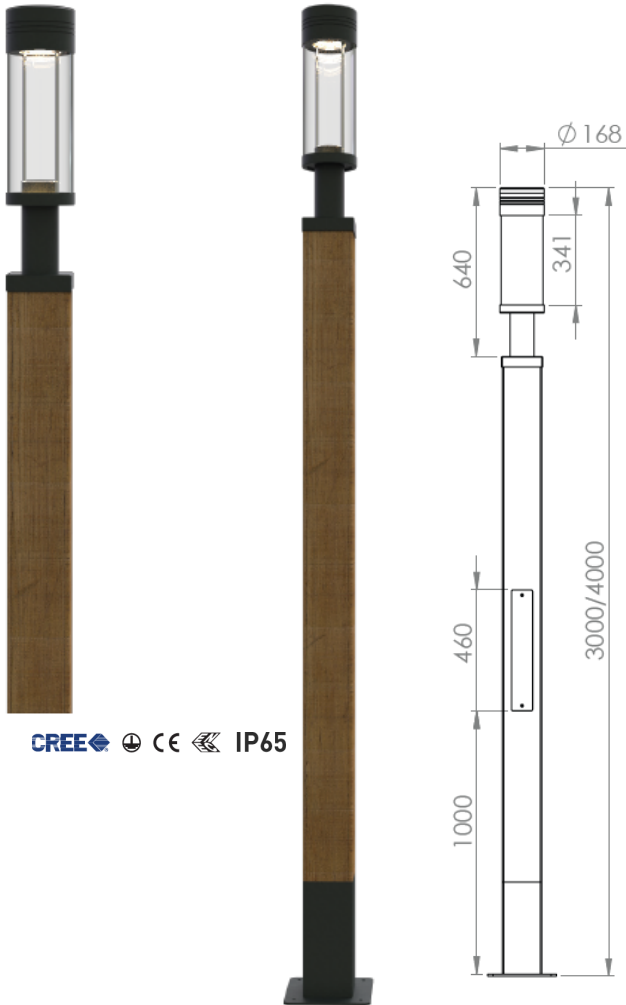


Bollard LP-TM-P3W20

Dimension: $\varnothing 25 \times H1000\text{mm}$
 Input Voltage: 24VDC
 Power consumption: 3W
 Luminous Flux: 130Lm(Diffuzer) at 3000K CRI 80,24VDC
 Brand of LEDs: LED CREE
 Color: 3000K CRI 80(Single color; 2200-6000K)
 Angle: Diffuser
 Function Dimmer: PWM on Power
 Material: Stainless 316
 Finishing (Color housing): Stainless
 IP Class: 68
 Electrical Class: III
 LED lifetime: 50.000hrs
 Lens: Clear Cellular Sand:
 Material PMMA with UV protection
 Standards: +EMC protection,+IEC 62031 LED modules for general lighting Safetyspecifications,+IEC 60598 Luminaires – Parts 1+2: General requirements particular requirement sand tests
 Control Gear Fairchild Technology
 LED Module High-power LEDs on metal-core PCB. Collimating lens made of optical polymer/pmma
 Anti-Glare Option
 Electrical Protection EMC, inrush current
 Electrical Class 3



LPBM16300 BOLLARD MOOSE SERIES LIGHT



BOLLARD MOOSE SERIES LIGHT

Bollard Moose Series Light has been designed to achieve the best possible light and nothing has been added to the essence of its function. Its formal simplicity, mechanical robustness and quality of light distribution make it versatile for every application context.

Code Product: Moose-Series

Dimension: Ø168 x 3000/4000mm

Input Voltage: 100-240VAC (43-60Hz)

Power Consumption: Series (30W, 50W, 70W)

Luminous Flux: 2400Lm at 3000K, 30W

Brand of LED: LED CREE

Color: 3000K; CRI >80 (Single Color, RGB, RGBW Contact us)

Angle: Diffuser

Function: Option

Material: Spcc

Finishing (Color housing): Power Coasting

IP Class: 65

Electrical Class: I

Control Gear Fairchild Technology

LED Module High-power LEDs on metal-core PCB.

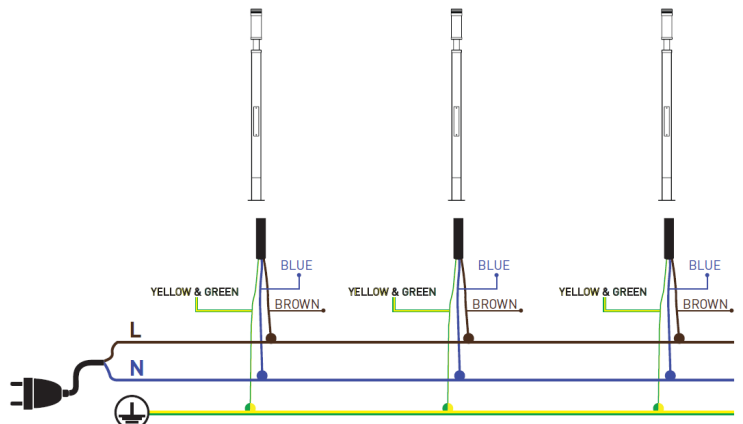
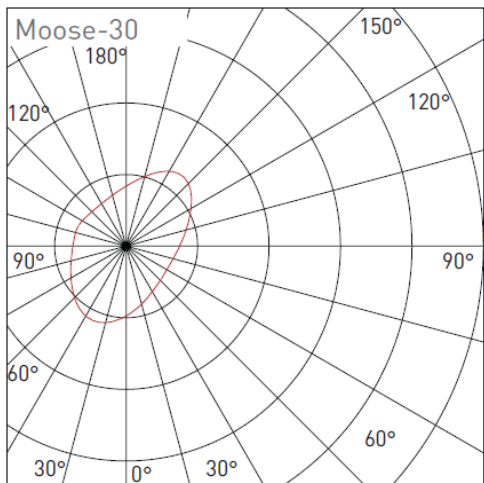
Collimating lens made of optical polymer/pmma

Anti-Glare Option

Electrical Protection EMC, inrush current

Electrical Class 1

LPBM16300 BOLLARD MOOSE SERIES LIGHT



LPBM16300 BOLLARD ODINO SERIES LIGHT

BOLLARD ODINO SERIES LIGHT

Bollard Odino Series Light has been designed to achieve the best possible light and nothing has been added to the essence of its function. Its formal simplicity, mechanical robustness and quality of light distribution make it versatile for every application context.

Code Product: Odino Series

Dimension: 60x98 x 600/800/1000 mm

Input Voltage: 100-240VAC (43-60Hz)

Power consumption: Series-M (7-12W)

Luminous Flux: 490Lm at 3000K

Brand of LEDs: LED CREE

Color: 3000K - CRI>80 (Single Color: 2200 - 6000K)

Beam Angle: Special Light

Function Dimmer: Option

Material: Spcc

Finishing (Color housing): Power Coasting

IP Class: 65

Electrical Class: I

Control Gear Fairchild Technology

LED Module High-power LEDs on metal-core PCB.

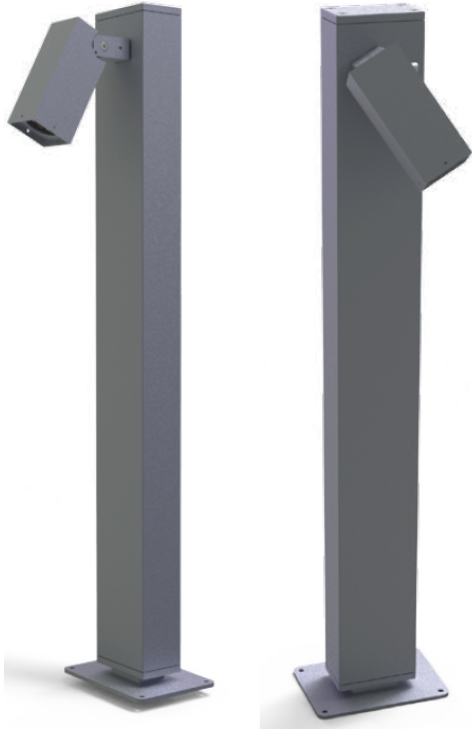
Collimating lens made of optical polymer/pmma

Anti-Glare Option

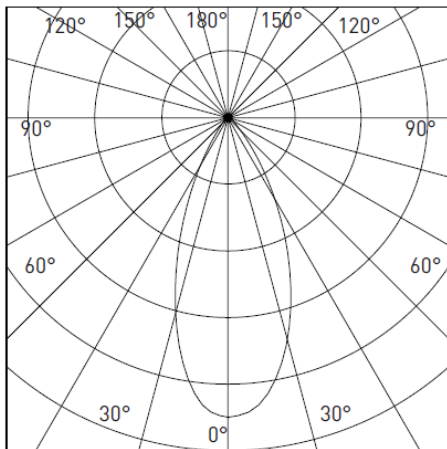
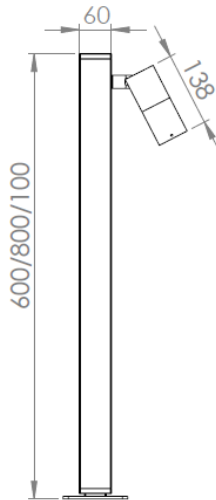
Electrical Protection EMC, inrush current

Electrical Class 1

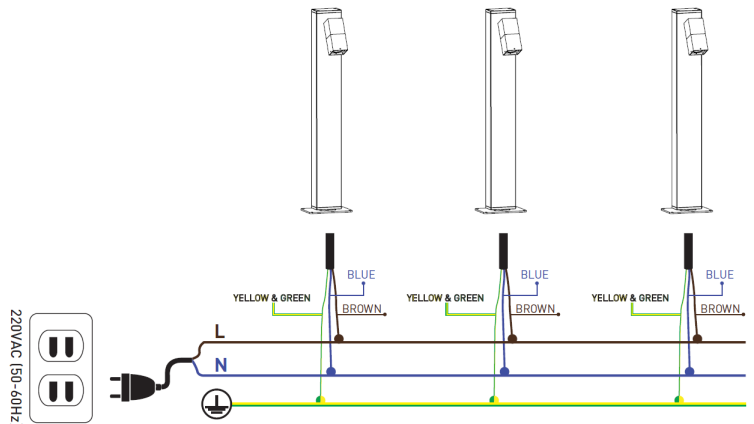
LPBM16300 BOLLARD MOOSE SERIES LIGHT



CREE IP65



490Lm at 3000K, 27deg





CREE IP65

BOLLARD REL SERIES LIGHT

Bollard REL Series Light has been designed to achieve the best possible light and nothing has been added to the essence of its function. Its formal simplicity, mechanical robustness and quality of light distribution make it versatile for every application context.

Code Product: Rel-12S30000I4B

Dimension: 120mm x 30mmx400

Input Voltage: 100-265VAC (43-60Hz)

Power Consumption: 12W

Luminous Flux: 670Lm

Brand of LED: LED CREE

Color: 3000K; CRI >80 (Single Color, RGB, RGBW Contact us)

Angle: Diffuser with Frosted Glass

Function: None

Material: Inox 304

Finishing (Color housing): Paint Black

IP: 66

Class: I

Control Gear Fairchild Technology

LED Module High-power LEDs on metal-core PCB.

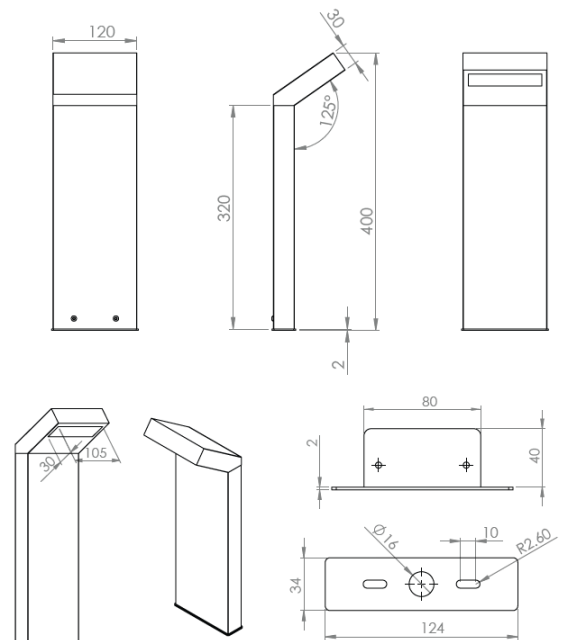
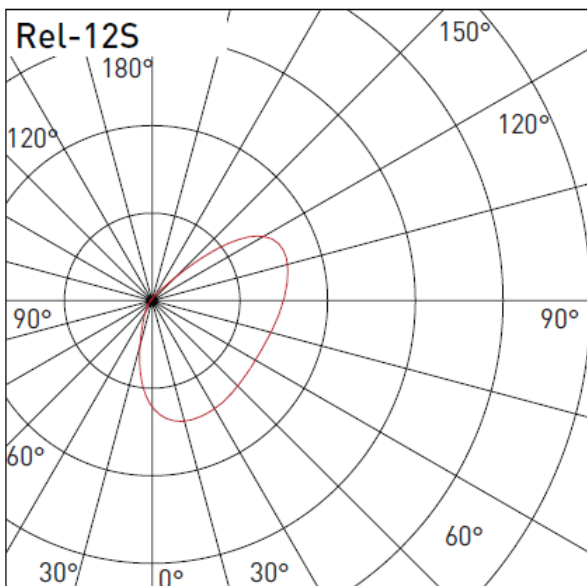
Collimating lens made of optical polymer/pmma

Anti-Glare Option

Electrical Protection EMC, inrush current

Electrical Class 1

LPBR122040 BOLLARD REL SERIES LIGHT



LPBT131311 BOLLARD REL SERIES LIGHT

BOLLARD TEN SERIES LIGHT

Bollard TEN Series Light has been designed to achieve the best possible light and nothing has been added to the essence of its function. Its formal simplicity, mechanical robustness and quality of light distribution make it versatile for every application context.

Code Product: BOLLARD TEN SERIES LIGHT

Dimension: 130mm x 130mmx1127mm

Input Voltage: 100-265VAC (43-60Hz)

Power Consumption: 12W

Luminous Flux: 1050Lm

Brand of LED: LED CREE

Color: 3000K; CRI >80 (Single Color, RGB, RGBW Contact us)

Angle: Diuser with Frosted Glass

Function: None

Material: Aluminium

Finishing (Color housing): Anode Topology

IP Class: 66

Electrical Class: I

Control Gear Fairchild Technology

LED Module High-power LEDs on metal-core PCB.

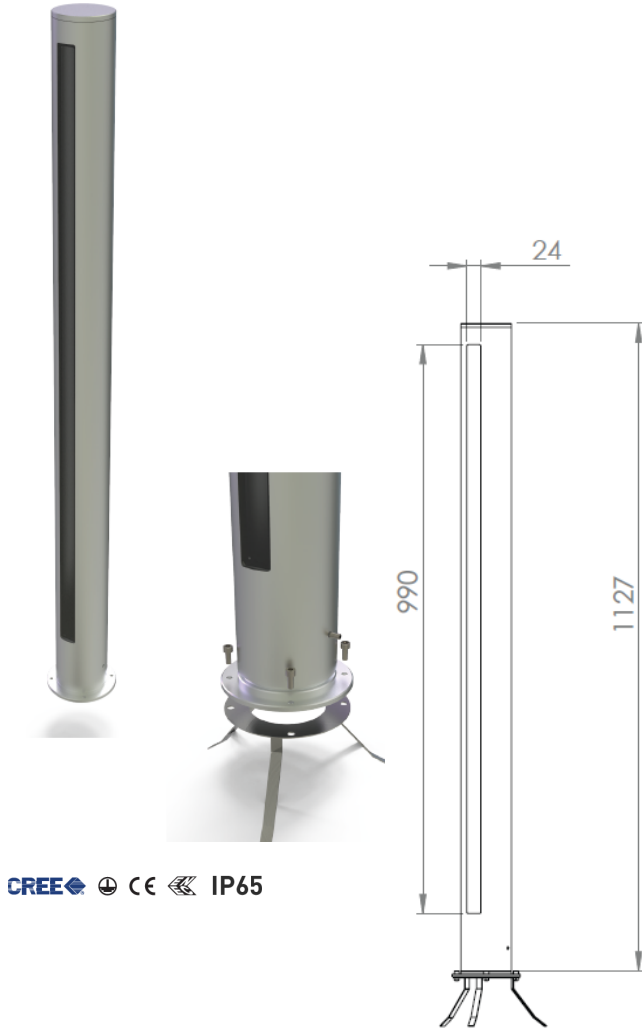
Collimating lens made of optical polymer/pmma

Anti-Glare Option

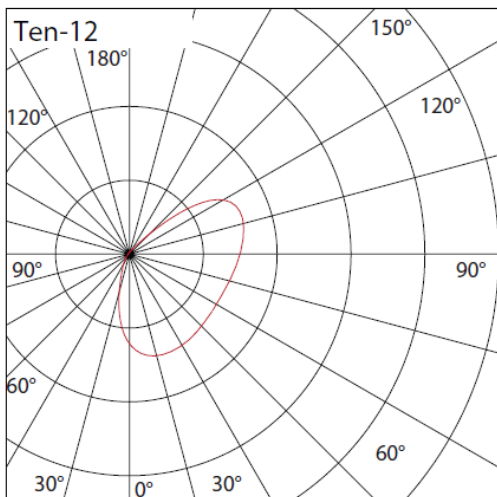
Electrical Protection EMC, inrush current

Electrical Class 1

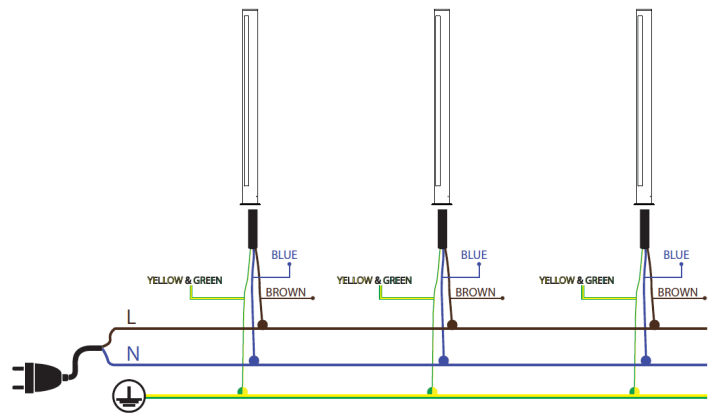
LPBT131311 BOLLARD REL SERIES LIGHT



CREE IP65



220VAC (50-60Hz)

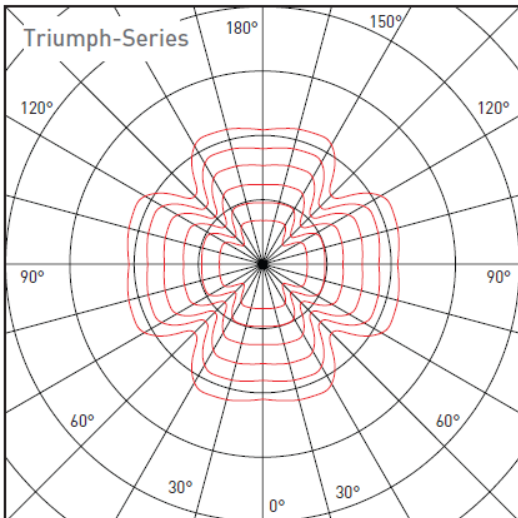
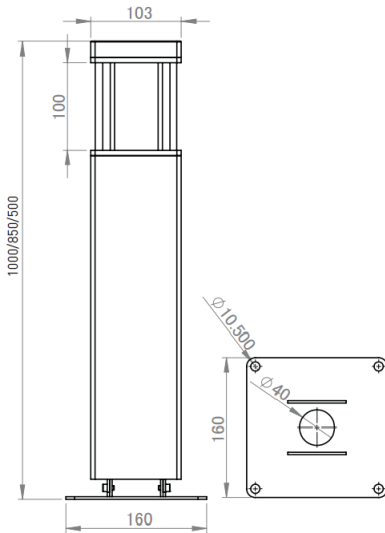


LPBTR101085 BOLLARD TRIUMPH SERIES LIGHT

BOLLARD TRIUMPH SERIES LIGHT



CREE



Bollard TEN Series Light has been designed to achieve the best possible light and nothing has been added to the essence of its function. Its formal simplicity, mechanical robustness and quality of light distribution make it versatile for every application context.

Code Product: BOLLARD TRIUMPH SERIES LIGHT

Dimension: 103mm x 103mm x 850/500mm

Input Voltage: 110-240VAC (50-60Hz)

Power consumption: 14W

Luminous Flux: 340Lm at 3000K

Brand of LEDs: LED CREE

Color: 3000K - CRI: >80

Beam Angle: 360°

Function Dimmer: None

Material: SS316 + Wood

Finishing (Color housing): Wood

IP Class: 65

Electrical Class: I

Control Gear Fairchild Technology

LED Module High-power LEDs on metal-core PCB.

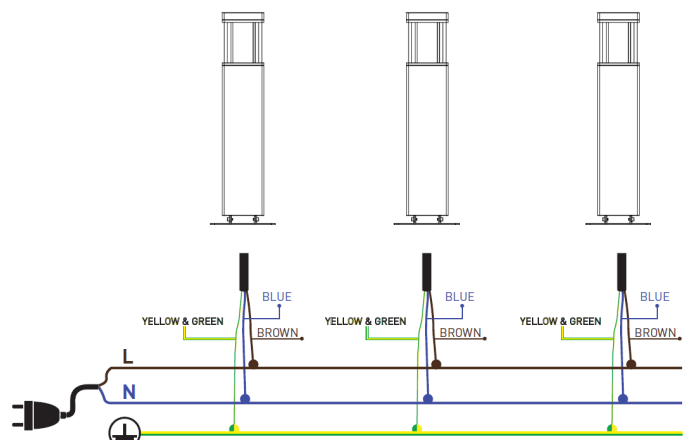
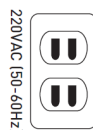
Collimating lens made of optical polymer/pmma

Anti-Glare Option

Electrical Protection EMC, inrush current

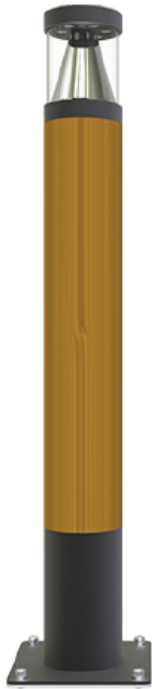
Electrical Class 1

LPBTR101085 BOLLARD TRIUMPH SERIES LIGHT

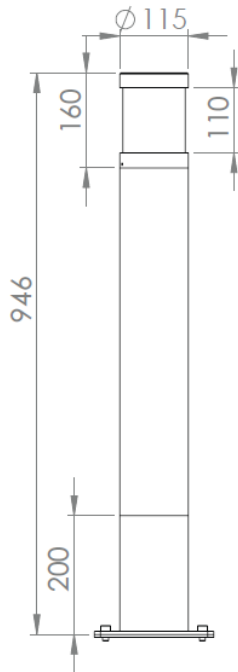


LPBV1194 BOLLARD VELI SERIES LIGHT

BOLLARD VELI SERIES LIGHT



CREE IP65



Bollard TEN Series Light has been designed to achieve the best possible light and nothing has been added to the essence of its function. Its formal simplicity, mechanical robustness and quality of light distribution make it versatile for every application context.

Code Product: BOLLARD VELI SERIES LIGHT

Dimension: Ø115mm x H946mm

Input Voltage: 100-240VAC (50-60Hz)

Power consumption: 12W

Luminous Flux: 1190 Lm x 3000K

Brand of LEDs: LED CREE

Color: 3000K - CRI: > 90 (2200 - 6000K; RGB; RGBW)

Beam Angle: Special Light

Function Dimmer: None

Material: Wood

Finishing (Color housing): Brown

IP Class: 65

Electrical Class: I

IK Class: 09

Control Gear Fairchild Technology

LED Module High-power LEDs on metal-core PCB.

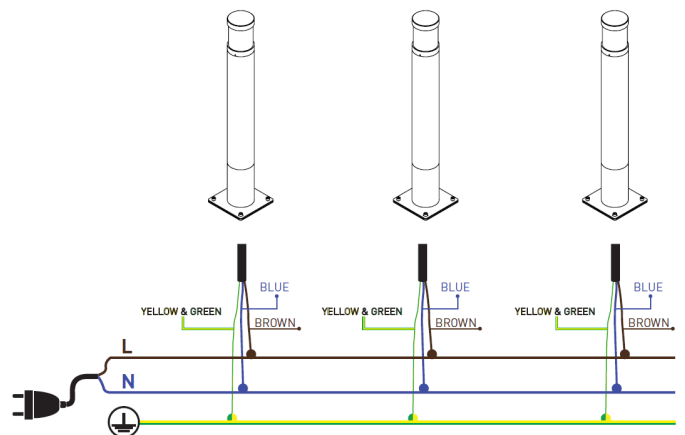
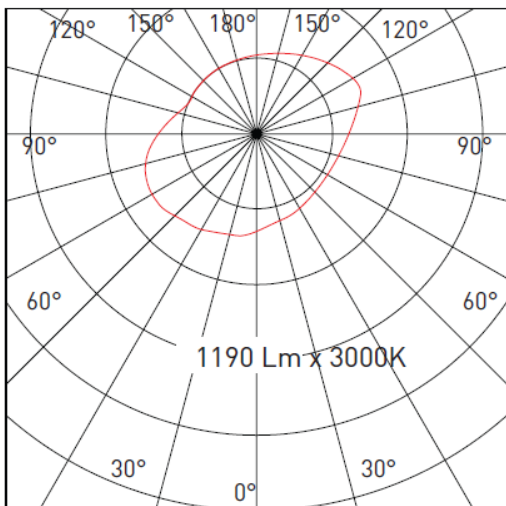
Collimating lens made of optical polymer/pmma

Anti-Glare Option

Electrical Protection EMC, inrush current

Electrical Class 1

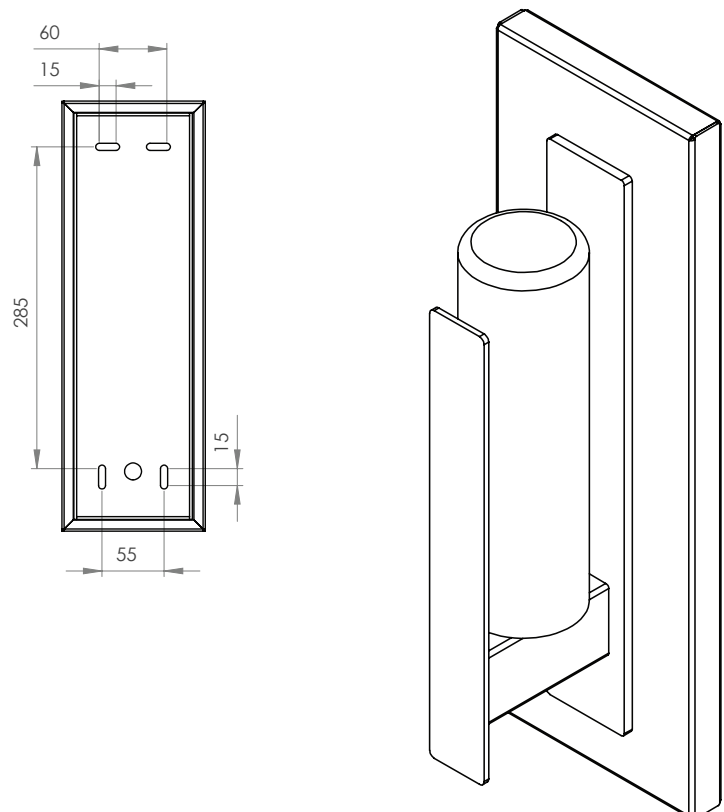
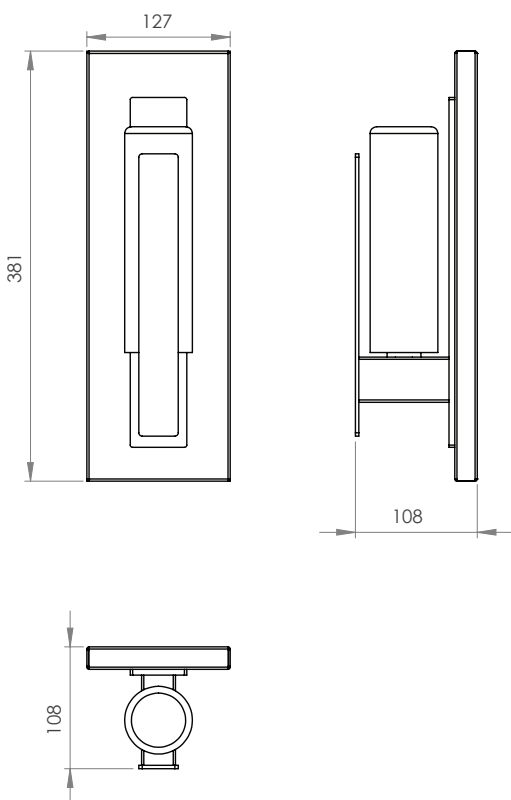
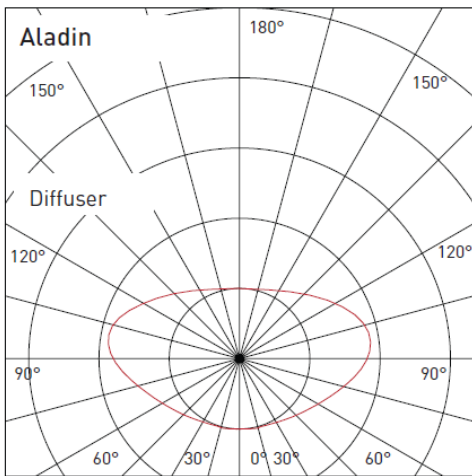
LPBV1194 BOLLARD VELI SERIES LIGHT

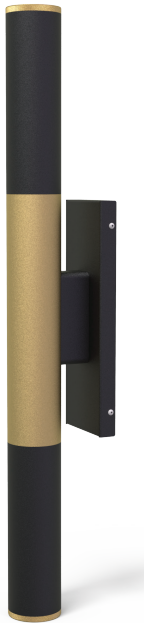




Decorative Lamp LP-AL18W

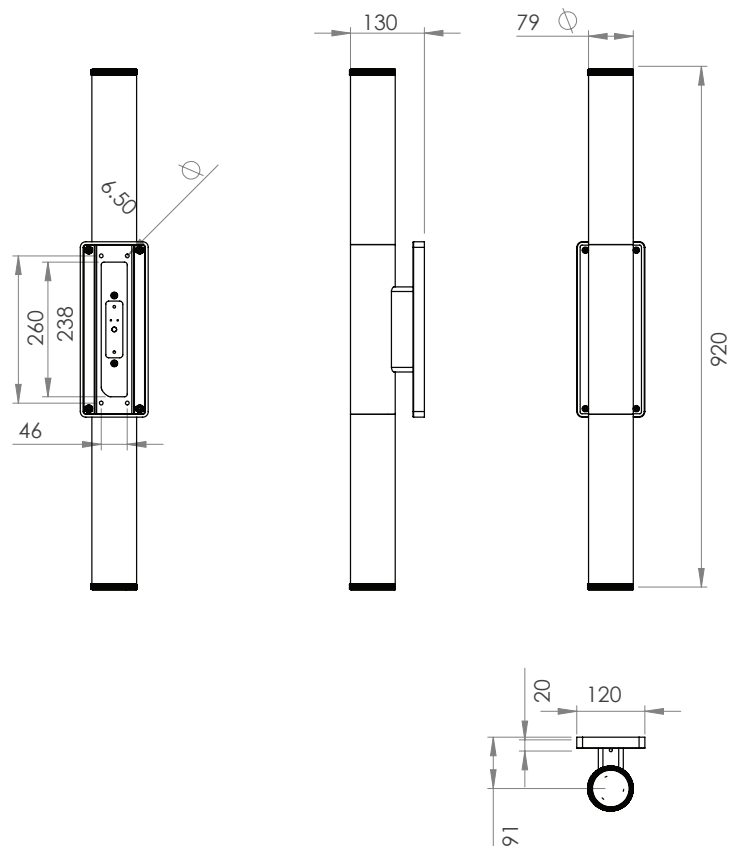
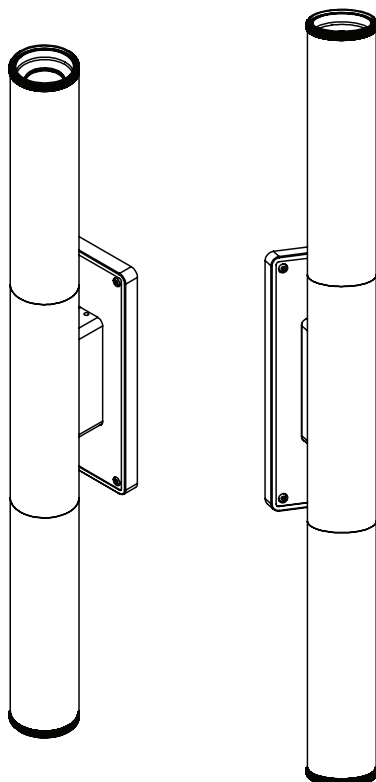
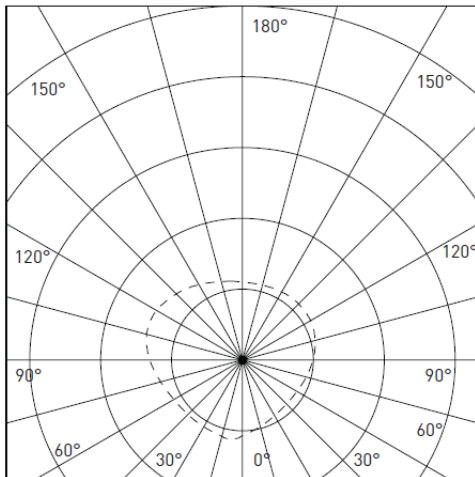
Dimension: 381x127x108mm
 Input Voltage: 100-240VAC (43-60Hz)
 Power consumption: 18W
 Luminous Flux: 790Lm
 Brand of LEDs: LED CREE
 Color: 3000K, CRI>90(Other color please contact us)
 Beam Angle: Diffuser
 Function Dimmer: Option
 Material: SPCC
 Finishing (Color housing): Power Coasting
 Electrical Class: I
 IP Class: 65
 LED lifetime: 50000hrs
 Lens: Clear Cellular Sand:
 Material PMMA with UV protection
 Standards: +EMC protection,+IEC 62031 LED modules for general lighting Safety specifications, +IEC 60598 Luminaires – Parts 1+2: General requirements particular requirement sand tests Control Gear Fairchild Technology
 LED Module High-power LEDs on metal-core PCB. Collimating lens made of optical polymer/pmma
 Anti-Glare Option
 Electrical Protection EMC, inrush current
 Electrical Class 3





Decorative Lamp LP-BJ79

Dimension: $\varnothing 79\text{mm} \times 980\text{mm}$
 Input Voltage: 110-240VAC (43-60Hz)
 Power consumption: Series(2 x 12W, 2 x 20W, 2 x 30W)
 Luminous Flux: 2x830Lm at 2700K at 2x12W
 Brand of LEDs: LED CREE
 Color: 2700K (2200K-6000K; RGB/RGBW)
 Beam Angle: Up=24°-Down = 24°(15°, 24°, 36°, 45°, 60°)
 Function Dimmer: Option
 Material: Aluminium
 Finishing (Color housing): Power Coasting
 IP Class: 65
 Electrical Class: I
 LED lifetime: 50000hrs
 Lens: Clear Cellular Sand:
 Material PMMA with UV protection
 Standards: +EMC protection,+IEC 62031 LED modules for general lighting Safety specifications, +IEC 60598 Luminaires – Parts 1+2: General requirements particular requirement sand tests Control Gear Fairchild Technology
 LED Module High-power LEDs on metal-core PCB. Collimating lens made of optical polymer/pmma
 Anti-Glare Option
 Electrical Protection EMC, inrush current
 Electrical Class 3

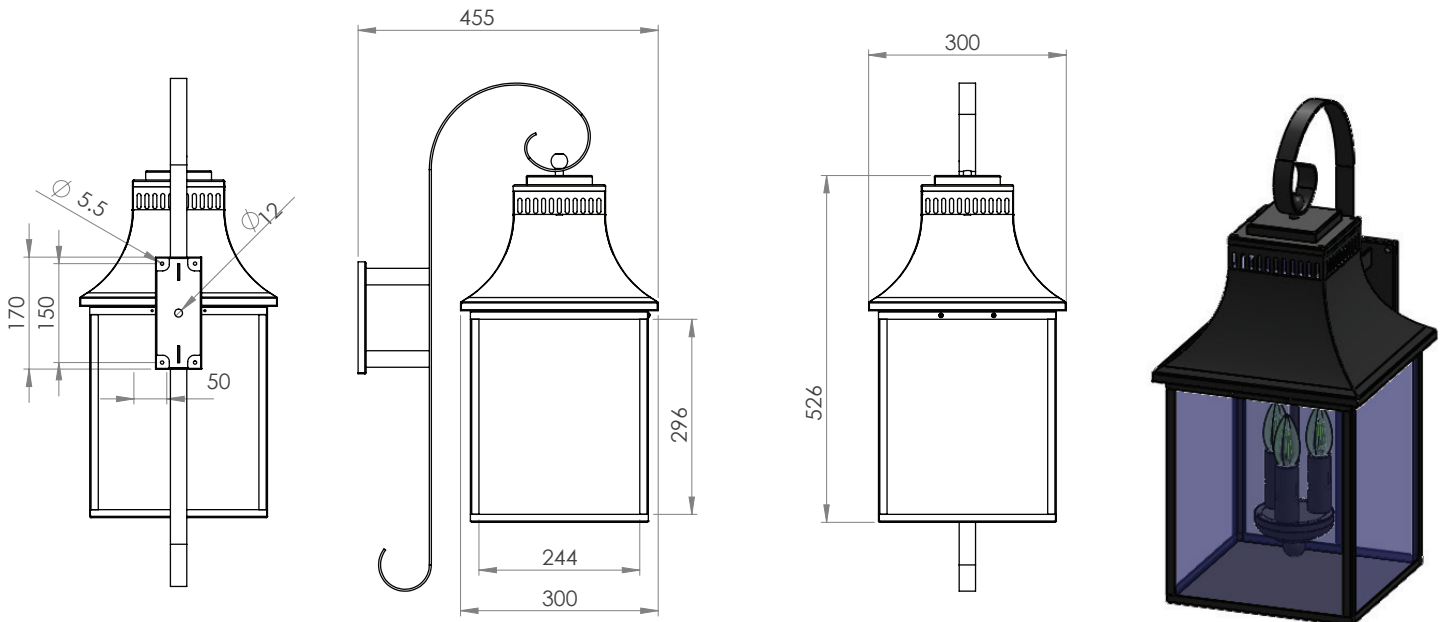
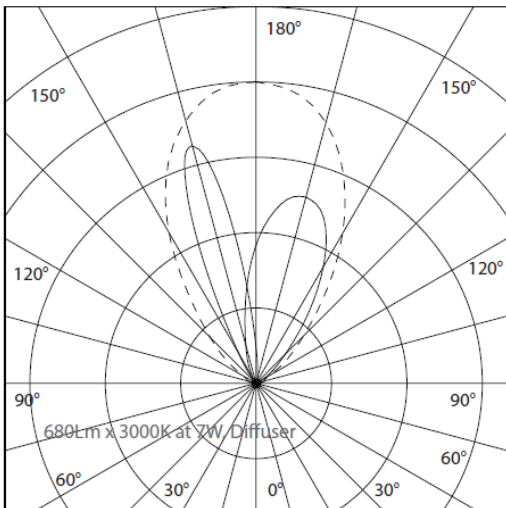


LP-DL3030



Decorative Lamp LP-DL3030

Dimension: 300x300x526mm
Input Voltage: 24VDC / 110-240VAC (43-60Hz)
Power consumption: Series (7-20W)
Luminous Flux: 680Lm x 3000K at 7W, Difuser
Brand of LEDs: LED CREE
Color: 3000K (2200K-6000K; RGB/RGBW)
Beam Angle: Diffuser
Function Dimmer: None
Material: Stainless 316
Finishing (Color housing): Power Coasting
IP Class: 65
Electrical Class: I
LED lifetime: 50.000hrs
Lens: Clear Cellular Sand:
Material PMMA with UV protection
Standards: +EMC protection, +IEC 62031 LED modules for general lighting Safety specifications, +IEC 60598 Luminaires – Parts 1+2: General requirements particular requirement sand tests Control Gear Fairchild Technology
LED Module High-power LEDs on metal-core PCB. Collimating lens made of optical polymer/pmma
Anti-Glare Option
Electrical Protection EMC, inrush current
Electrical Class 3



LP-EL4W



Decorative Lamp LP-EL4W

Dimension: 200 x 200 x 365mm

Input Voltage: 24VDC

Power consumption: 4W

Luminous Flux: 260Lm at 4W 3000K

Brand of LEDs: LED CREE

Color: 3000K (2200K-6000K; RGB/RGBW)

Beam Angle: Diffuser

Function Dimmer: Option

Material: SPCC (Option: SS316)

Finishing (Color housing): Power Coating Black

IP Class: 65

Electrical Class: I

LED lifetime: 50.000hrs

Lens: Clear Cellular Sand:

Material PMMA with UV protection

Standards: +EMC protection, +IEC 62031 LED modules for general lighting Safety specifications, +IEC 60598 Luminaires

– Parts 1+2: General requirements particular requirement

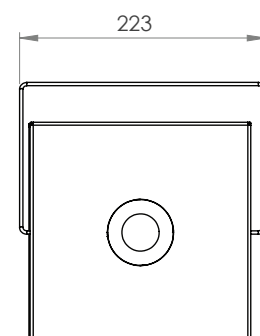
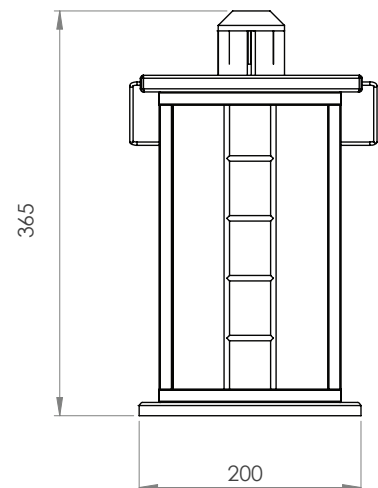
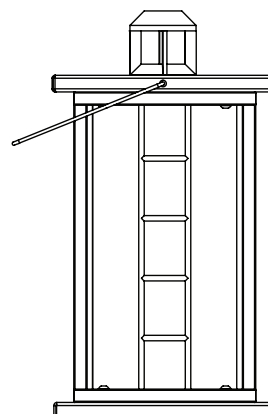
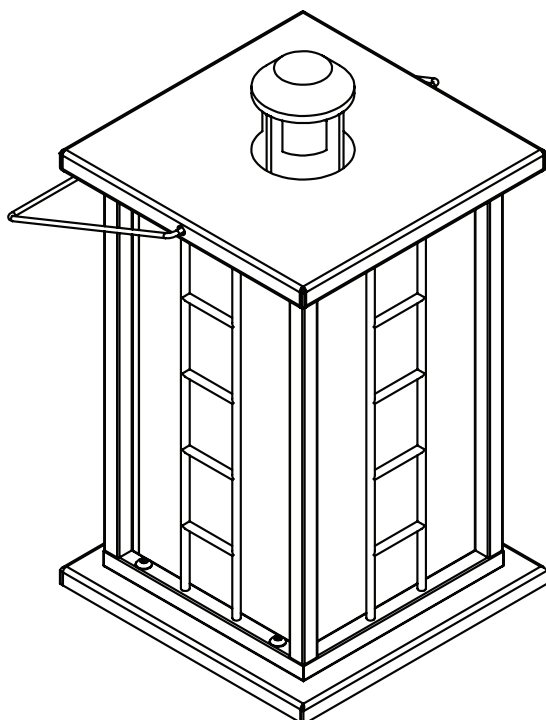
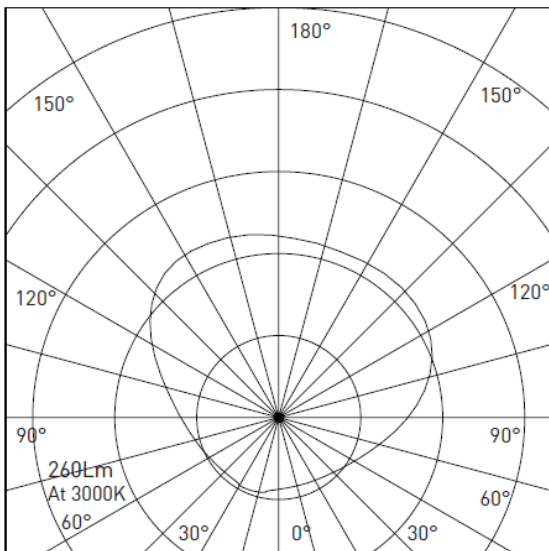
sand tests Control Gear Fairchild Technology

LED Module High-power LEDs on metal-core PCB. Collimating lens made of optical polymer/pmma

Anti-Glare Option

Electrical Protection EMC, inrush current

Electrical Class 3

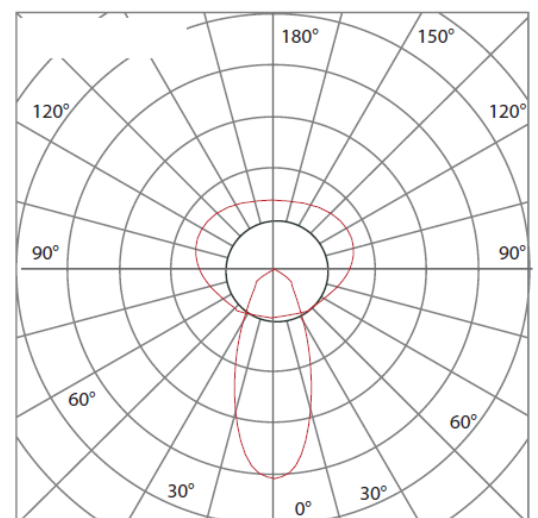
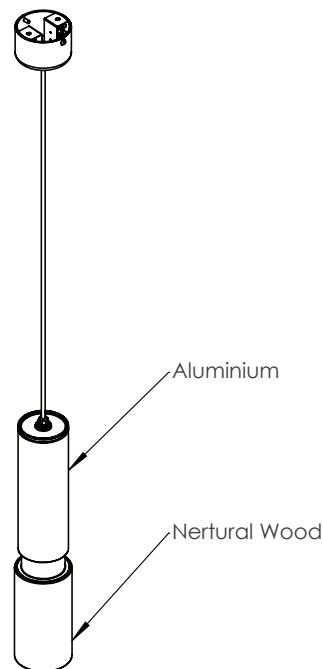
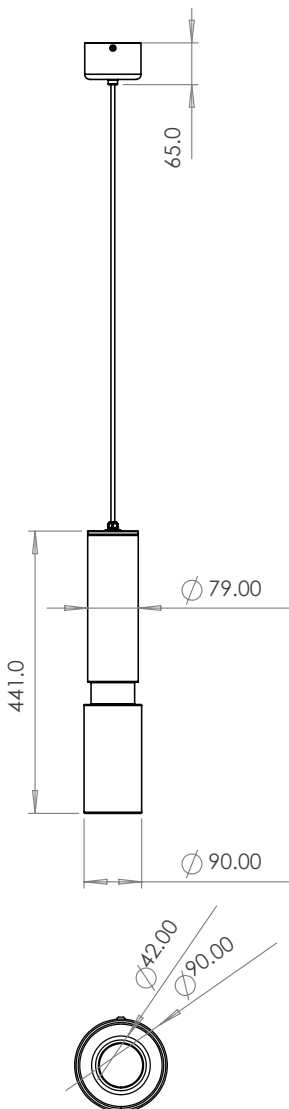


LP-GSD90

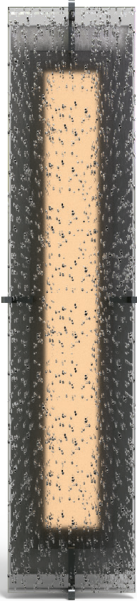


Decorative Lamp LP-GSD90

Dimension: D90mmx 441mm
 Input Voltage: 10-240VAC
 Power consumption: 5-12W
 Luminous Flux: 660Lm at 7W 3000K
 Brand of LEDs: LED CREE
 Color: 3000K (2200K-6000K)
 Beam Angle: 24degree
 Function Dimmer: Option
 Material: Alluminium+Wood/Ciement
 Finishing (Color housing): Wood/Ciement
 IP Class: 44
 Electrical Class: I
 LED lifetime: 50.000hrs
 Lens: Clear Cellular Sand:
 Material PMMA with UV protection
 Standards: +EMC protection,+IEC 62031 LED modules for general lighting Safety specifications, +IEC 60598 Luminaires – Parts 1+2: General requirements particular requirement sand tests Control Gear Fairchild Technology
 LED Module High-power LEDs on metal-core PCB. Collimating lens made of optical polymer/pmma
 Anti-Glare Option
 Electrical Protection EMC, inrush current
 Electrical Class 3



LP-HUR18W



Decorative Lamp LP-HUR18W

Dimension: 550x120x80mm

Input Voltage: 100-240VAC (43-60Hz)

Power consumption: 18W

Luminous Flux: 930Lm

Brand of LEDs: LED CREE

Color: 3000K, CRI>90, R9>60, R15>93(Other color please contact us)

Beam Angle: Diffuser

Function Dimmer: Option

Material: Stainless 316

Finishing (Color housing): Stainless (Brushed/ polished)

Electrical Class: I

IP Class: 65

LED lifetime: 50.000hrs

Lens: Clear Cellular Sand:

Material PMMA with UV protection

Standards: +EMC protection,+IEC 62031 LED modules for general lighting Safety specifications, +IEC 60598 Luminaires

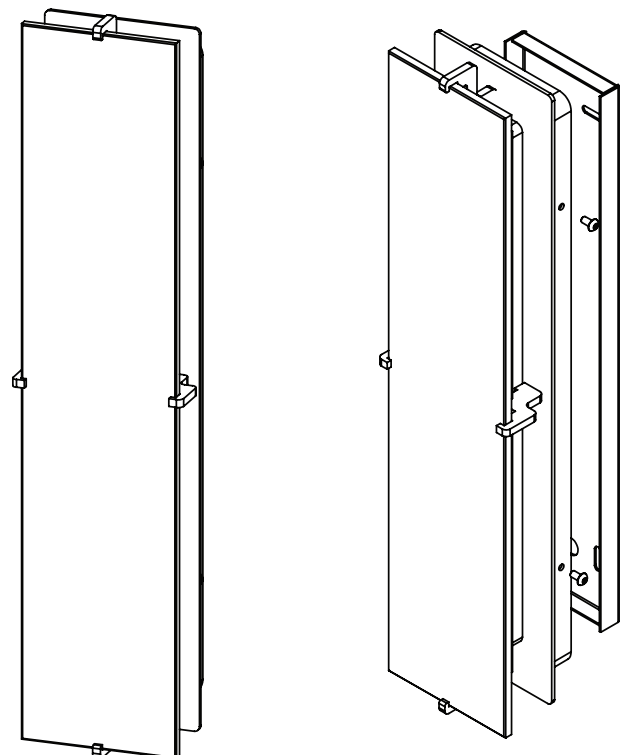
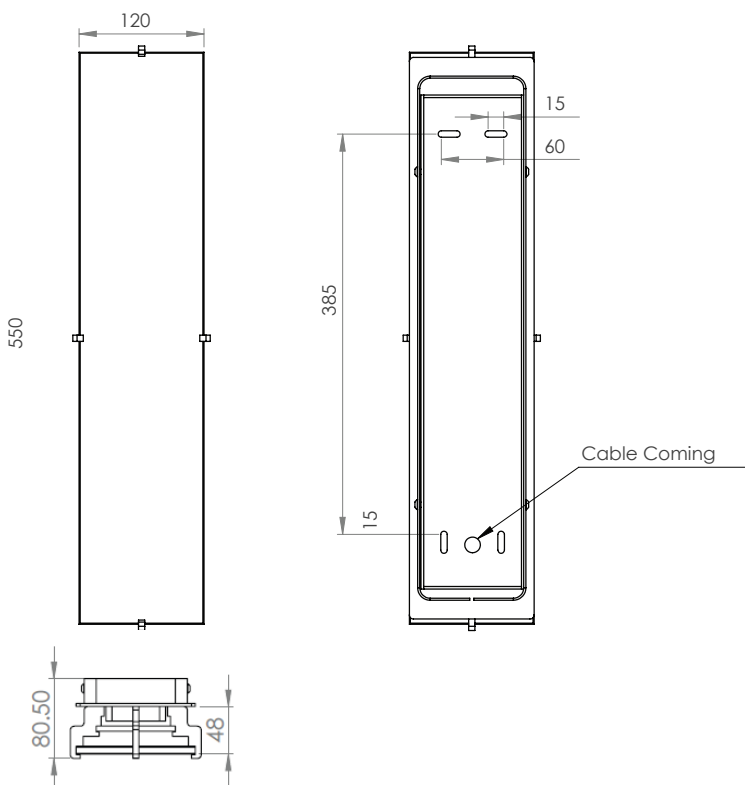
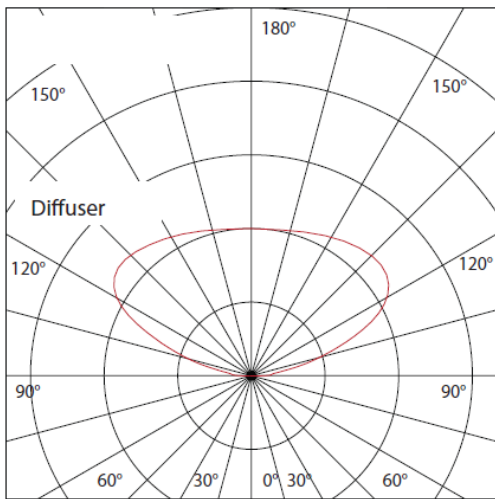
– Parts 1+2: General requirements particular requirement sand tests Control Gear Fairchild Technology

LED Module High-power LEDs on metal-core PCB. Collimating lens made of optical polymer/pmma

Anti-Glare Option

Electrical Protection EMC, inrush current

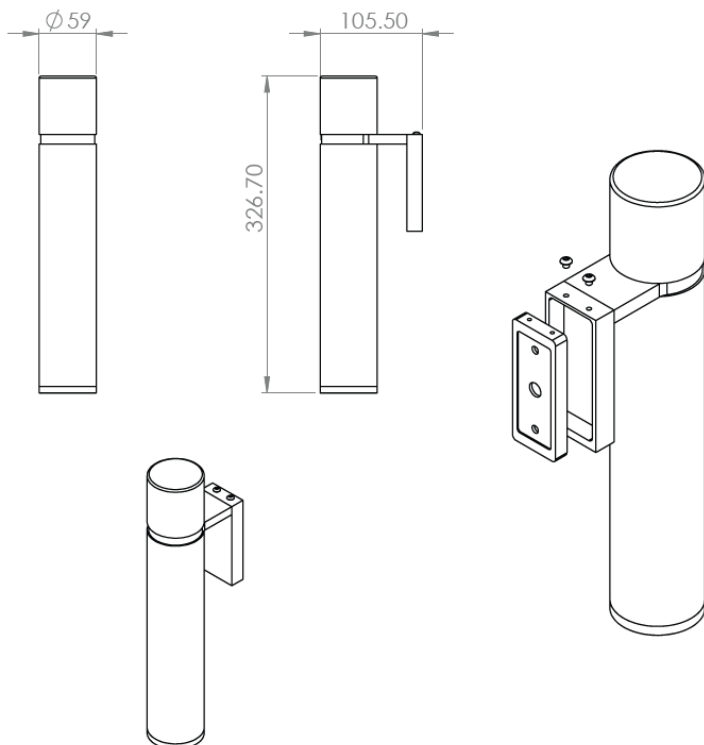
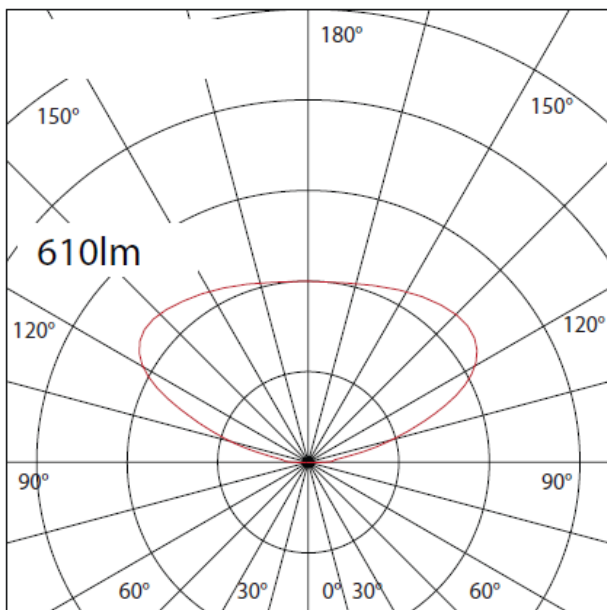
Electrical Class 3





Decorative Lamp LP-MON59D

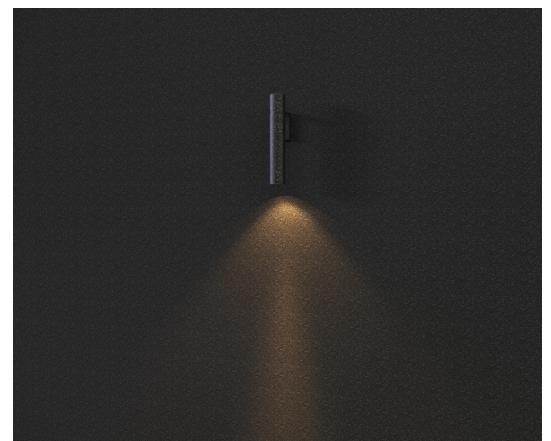
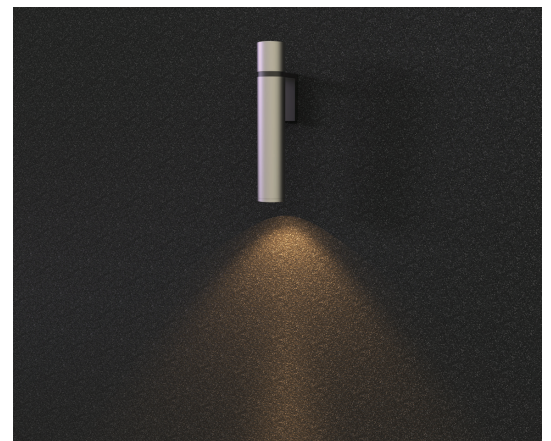
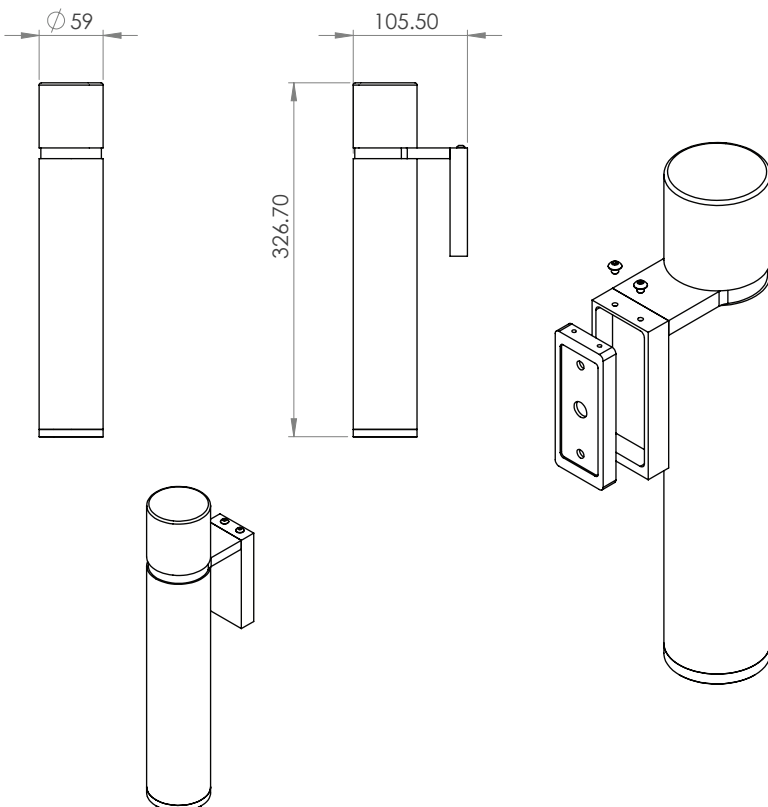
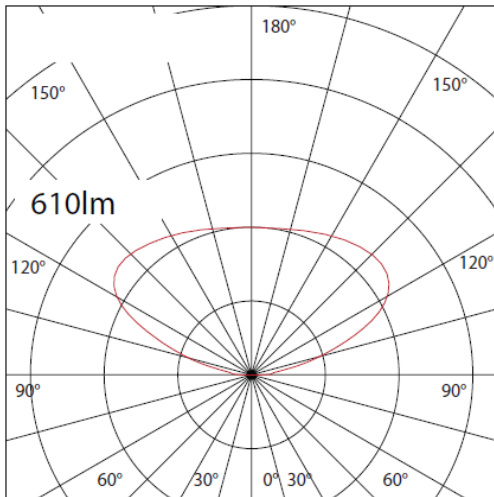
Dimension: $\varnothing 59 \times 320 \text{mm}$
 Input Voltage: 100-240VAC (43-60Hz)
 Power consumption: 7W, 9W, 12W
 Luminous Flux: 610lm at (3000K, CRI>90)
 Brand of LEDs: LED CREE
 Color: 3000K(Other color please contact us)
 Beam Angle: 24°(12°, 24°, 36°, 45°)
 Function Dimmer: Option
 Material: Aluminum
 Finishing (Color housing): Black
 Electrical Class: I
 IP Class: 44 (Max 65)
 LED lifetime: 50.000hrs
 Lens: Clear Cellular Sand:
 Material PMMA with UV protection
 Standards: +EMC protection,+IEC 62031 LED modules for general lighting Safety specifications, +IEC 60598 Luminaires – Parts 1+2: General requirements particular requirement sand tests Control Gear Fairchild Technology
 LED Module High-power LEDs on metal-core PCB. Collimating lens made of optical polymer/pmma
 Anti-Glare Option
 Electrical Protection EMC, inrush current
 Electrical Class 3





Decorative Lamp LP-RAK59D

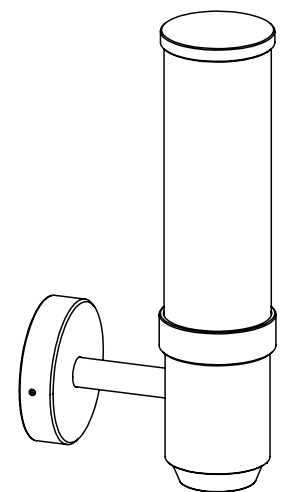
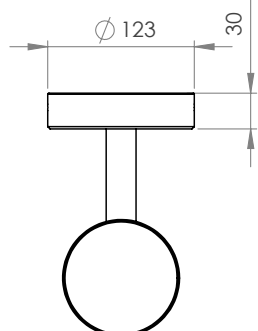
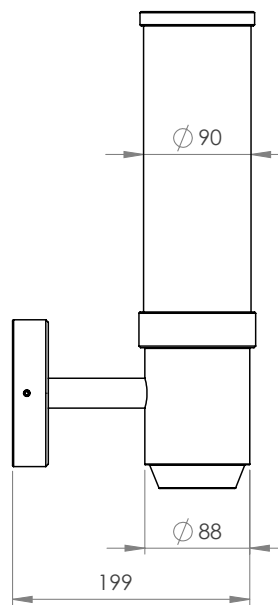
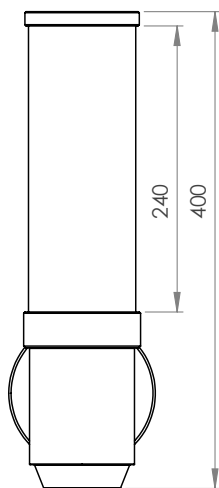
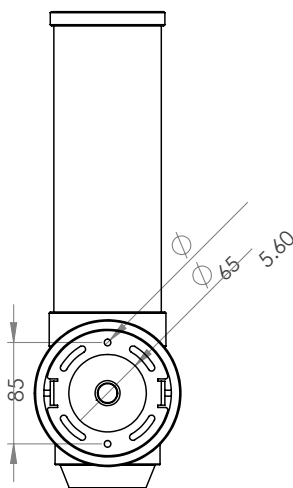
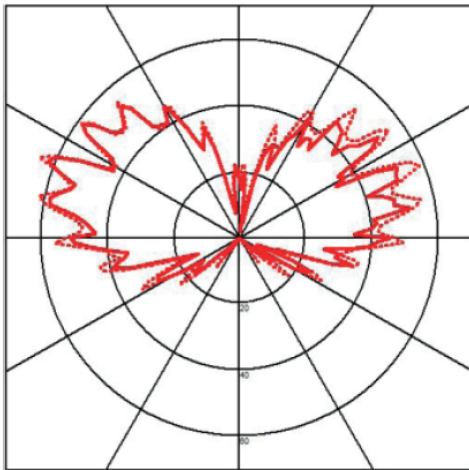
Dimension: Ø59x 320mm
 Input Voltage: 100-240VAC (43-60Hz)
 Power consumption: 7W, 9W, 12W
 Luminous Flux: 610lm at (3000K, CRI>90)
 Brand of LEDs: LED CREE
 Color: 3000K(Other color please contact us)
 Beam Angle: 24°(12°, 24°, 36°, 45°)
 Function Dimmer: Option
 Material: Aluminum
 Finishing (Color housing): Black
 Electrical Class: I
 IP Class: 44 (Max 65)
 LED lifetime: 50.000hrs
 Lens: Clear Cellular Sand:
 Material PMMA with UV protection
 Standards: +EMC protection,+IEC 62031 LED modules for general lighting Safety specifications, +IEC 60598 Luminaires – Parts 1+2: General requirements particular requirement sand tests Control Gear Fairchild Technology
 LED Module High-power LEDs on metal-core PCB. Collimating lens made of optical polymer/pmma
 Anti-Glare Option
 Electrical Protection EMC, inrush current
 Electrical Class 3





Decorative Lamp LP-THR90D

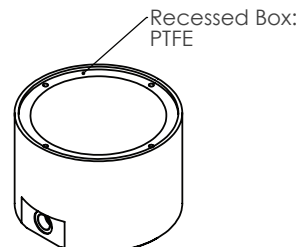
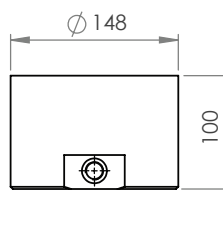
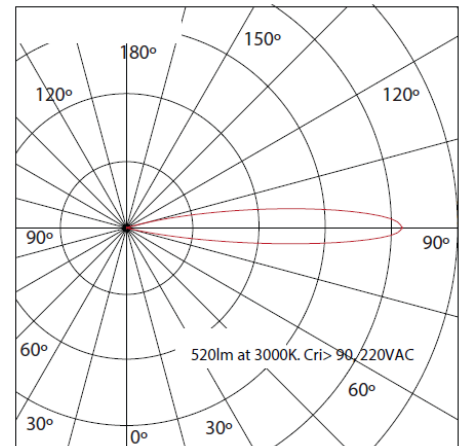
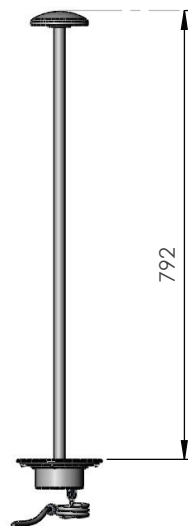
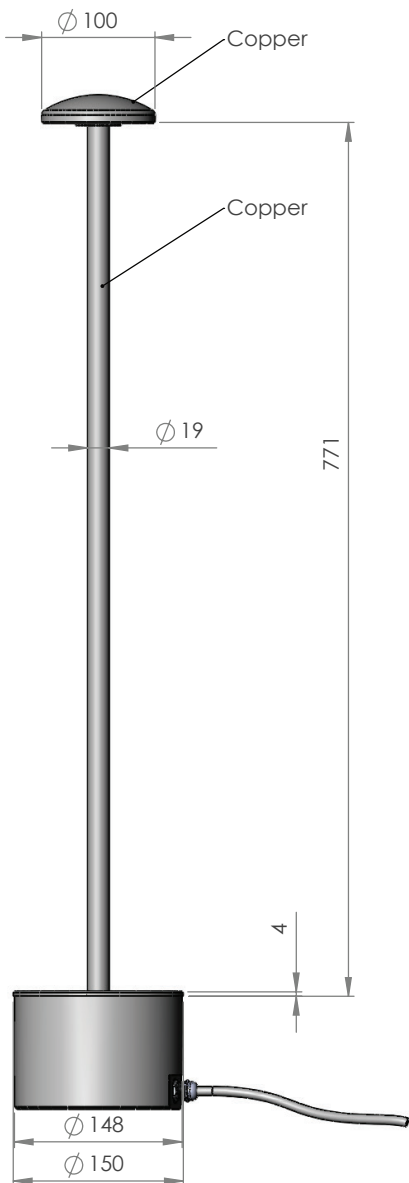
Dimension: $\varnothing 90\text{mm} \times 400\text{mm}$
 Input Voltage: 110-240VAC (43-60Hz)
 Power consumption: 7W, 9W, 12, 15W
 Luminous Flux: 890Lm x 3000, K
 Brand of LEDs: LED CREE
 Color: 3000K - CRI > 80 (Orther color: 2700K - 6000K)
 Beam Angle: Diffuser
 Function Dimmer: Option
 Finishing (Color housing): Anodizing Topology
 IP Class: 65
 Electrical Class: I
 LED lifetime: 50.000hrs
 Lens: Clear Cellular Sand:
 Material PMMA with UV protection
 Standards: +EMC protection,+IEC 62031 LED modules for general lighting Safety specifications, +IEC 60598 Luminaires
 – Parts 1+2: General requirements particular requirement sand tests Control Gear Fairchild Technology
 LED Module High-power LEDs on metal-core PCB. Collimating lens made of optical polymer/pmma
 Anti-Glare Option
 Electrical Protection EMC, inrush current
 Electrical Class 3





Decorative Lamp LP-TREE100

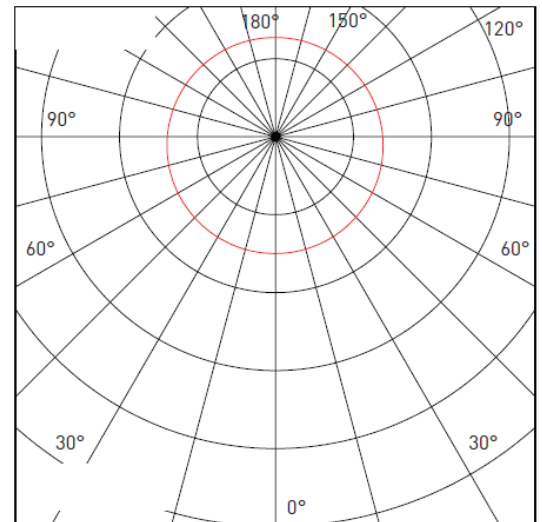
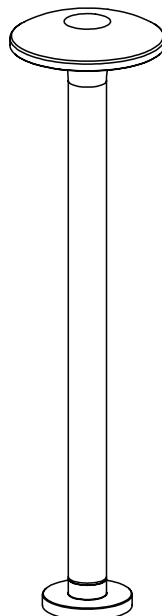
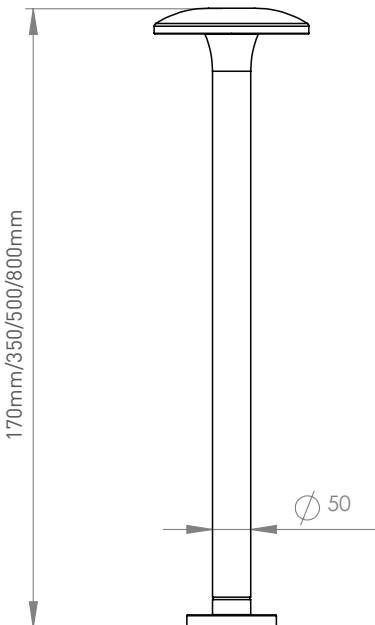
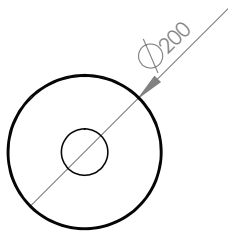
Dimension: Ø100mm x 800mm
 Input Voltage: 90-265VAC(43-60Hz)
 Power consumption: 6W
 Luminous Flux: 520 at 3000K, 220VAC
 Brand of LEDs: LED CREE
 Color: 3000K, CRI > 90, 2-Step Macadam Ellipse
 Angle: Difuzer with Glass frosted
 Function Dimmer: None
 Material: Aluminium
 Finishing (Color housing): Anode Black
 IP Class: 67
 Electrical Class : I
 LED lifetime: 50.000hrs
 Lens: Clear Cellular Sand:
 Material PMMA with UV protection
 Standards: +EMC protection,+IEC 62031 LED modules for general lighting Safety specifications, +IEC 60598 Luminaires – Parts 1+2: General requirements particular requirement sand tests Control Gear Fairchild Technology LED Module High-power LEDs on metal-core PCB. Collimating lens made of optical polymer/pmma
 Anti-Glare Option
 Electrical Protection EMC, inrush current
 Electrical Class 3





Decorative Lamp LP-YU100D

Dimension: Ø200 X 170mm/250/500/800mm
 Input Voltage: 110-240VAC(50-60Hz)
 Power consumption: 6W
 Luminous Flux: 220Lm at 3000K
 Brand of LEDs: LED CREE
 Color: 3000K- CRI > 90 (Single color; 2200-5500K)
 Angle: 360°
 Function: None
 Material: Aluminium
 Finishing (Color housing): Anode White/ Power Coasting
 Electrical Class: I
 IP Class: 65
 LED lifetime: 50.000hrs
 Lens: Clear Cellular Sand:
 Material PMMA with UV protection
 Standards: +EMC protection,+IEC 62031 LED modules for general lighting Safety specifications, +IEC 60598 Luminaires – Parts 1+2: General requirements particular requirement sand tests Control Gear Fairchild Technology
 LED Module High-power LEDs on metal-core PCB. Collimating lens made of optical polymer/pmma
 Anti-Glare Option
 Electrical Protection EMC, inrush current
 Electrical Class 3





Decorative Lamp LP-TM-Z15S3

Dimension: 140x140x422mm
 Input Voltage: 24VDC / 110-240VAC (43-60Hz)
 Power consumption: 8W / 12W / 20W
 Luminous Flux: 580Lm at 8W 3000K, Diffuser
 Brand of LEDs: LED CREE
 Color: 3000K (2200K-6000K; RGB/RGBW)
 Beam Angle: Diffuser
 Function Dimmer: None
 Material: Stainless 316
 Finishing (Color housing): Power Coasting
 IP Class: 65
 Electrical Class: I
 LED lifetime: 50.000hrs
 Lens: Clear Cellular Sand:
 Material PMMA with UV protection
 Standards: +EMC protection,+IEC 62031 LED modules for general lighting Safety specifications, +IEC 60598 Luminaires – Parts 1+2: General requirements particular requirement sand tests Control Gear Fairchild Technology
 LED Module High-power LEDs on metal-core PCB. Collimating lens made of optical polymer/pmma
 Anti-Glare Option
 Electrical Protection EMC, inrush current
 Electrical Class 3

