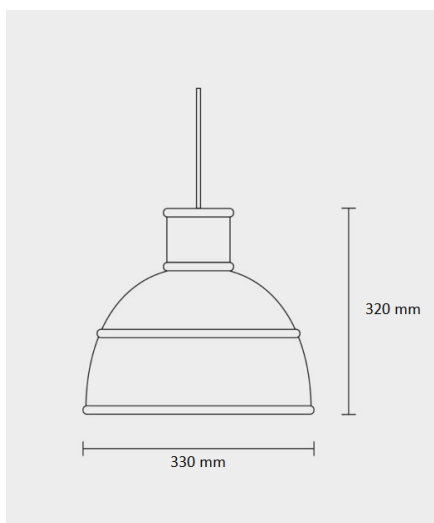


INDUSTRIAL PENDENT LAMPSHADE

LP-MA26



Technical data

Bell Pendant

Lampshade Pendant, with its soft metal powder coated, is an affordable lighting that provides an exclusive look to any setting. Available in an array of vibrant colors, this pendant with a warm personality can be collapsed with a simple push from the top for easy storage and transportation.

Lighting Area 2-3 square meters

Interior Color: White

Material: Made of soft metal powder coated with RED color E27 Socket with OSRAM LED BULB.

Light Source: E27 Max 60 Watt Energy saving bulb, PL Max 40 Watt, IP 20, Class II

Dimension Size: Dia 330 mm * Height 320 mm

Lumeplus LP-MA26



Modifications are possible due to the constant development and improvement of LED technology (Lumeplus Subject to technical modification 3.2017)