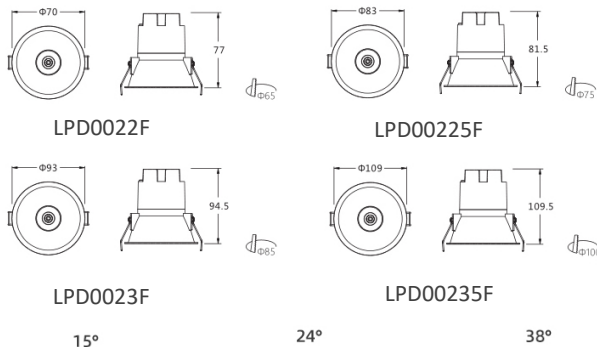
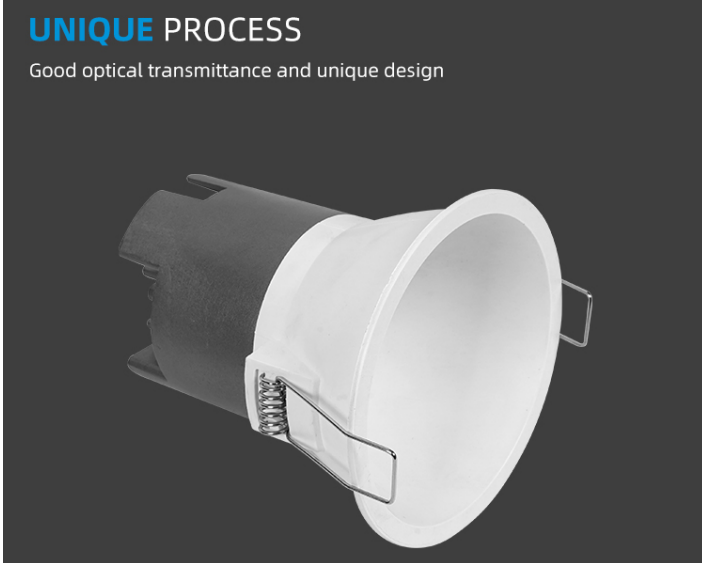


**Aluminum + PC Deep Recessed Spot
LPD002235F**

UNIQUE PROCESS

Good optical transmittance and unique design



Deep Recessed Fire Retardant LED Spot

Deep anti glare scientific LED spot adopts for highlighting a particular object decreasing surrounding light pollution with perfect aiming beam angle stylish appearance, easy to install, paying more attention to leisure and comfort. It gives space a clear and lively feeling.

Different color of reflector creates diversified light atmosphere according to environment. The lamp reflector light output is > 86%. Designed with constant current technology ,perfect structure design with aluminum base to disperse heat easily using AL6063 Aluminum radiator in sand blast oxidation treatment provides excellent heat dissipation and corrosion resistance.

- Lighting Area 1-2 Sqmts Depending on mounting height
- LED power: 7W /10W LED source CREE COB
- Input voltage AC85-265V
- Optics Lens 15°/24°/38° beam angle
- Lumens 690lm / 900lm CRI 90
- Material Fire Retardant PC reflector with Aluminum heat-sink
- Finish Texture White/Black
- Dimension Diameter 70mm /83mm /93mm/ 110mm
- Color temperature 3000K/4000K/6000K
- Lifespan ≥50000h
- Working temperature -30°~45°C
- Protection Grade IP20 Class II CE 1-10V /SCR /DALI

Make: Lumeplus LPD002235F

