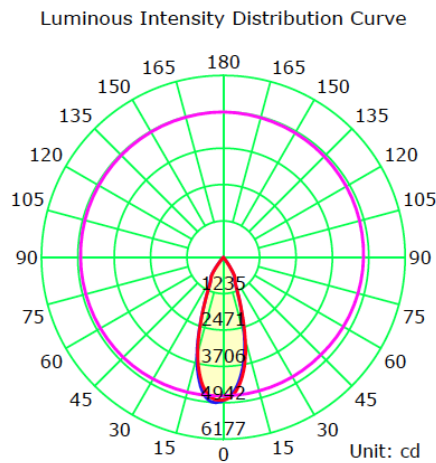
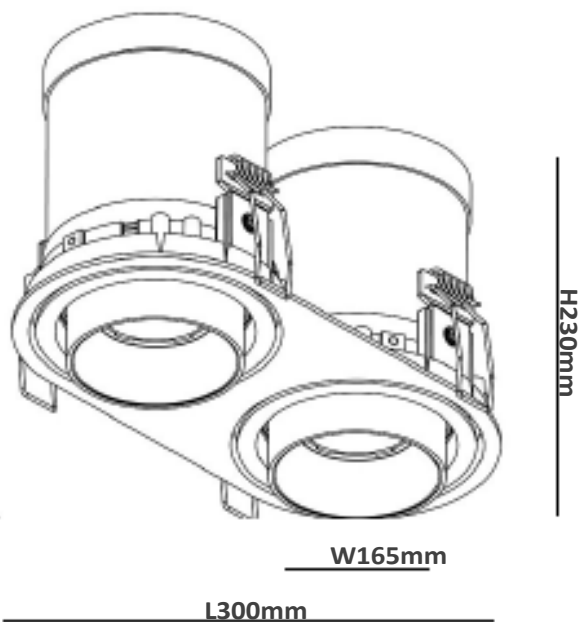


**Adjustable Curve Twin LED Spot
LED LP-026-0719**



— C0-C180 — C90-C270 — G3



Technical data

Adjustable Twin Oval Recessed LED Spot

Adjustable recess mounted twin-head LED spot light, with aluminum body powder-coated, excellent aluminum heat sink with tempered clear glass, equipped anti-glare optical reflector is efficient office lighting reinterpreted for the LED age. The reflector sections offer premium anti-glare . This means that glare values required for office lighting are adhered to, even at very high light powers.

Lighting Area 4-6Sqmt

LED power 2*15W Light source Philips Lumileds

Input voltage AC220-240V mains supply

Lumens 4000lm CRI > 85 (CRI 90 optional)

Color Temperature 3000K 4000K

Optics 38°Beam Angle

Material Die Cast Aluminum Finish Textured White

Dimensions L300*W165*H230.5 Cutout L280*W150

Lifespan ≥30000h

Working temperature -30°~45°C

Protection Grade IP20, Protection Class I , CE

Make: LUMEPLUS LED LP-026-0719

